



2500 North Frontage Road
Darien, IL 60561
630.969.7000
Fax 630.737.0518
www.wightco.com

DATE: September 20, 2019

FROM: Wight & Company
2500 N. Frontage Road
Darien, IL 60561

SUBJECT: **ADDENDUM #3 TO THE BIDDING DOCUMENTS FOR:
NORTH & SOUTH HIGH SCHOOL BID GROUP #5 Phase B**
MASTER FACILITY PLAN IMPLEMENTATION
COMMUNITY HIGH SCHOOL DISTRICT 99
NORTH HIGH SCHOOL
4436 MAIN STREET
DOWNERS GROVE, IL 60516

This addendum forms a part of the Bidding Contract Documents, dated September 5, 2019. Bidders must acknowledge receipt of this Addendum in the space provided on the Bid Form.

Bid Question/Answer Log No. 1

The following clarification information is provided in response to questions received in accordance with the bid documents for the following Bid Packages:

Bid Group: 7B
Bid Packages: 5

-
- BP 61 Demolition/ Tree Removal
 - BP 62 Excavation/ Site Utilities
 - BP 63 Concrete
 - BP 64 Masonry
 - BP 65 General Contracting
 - BP 66 Plumbing
 - BP 67 HVAC
 - BP 68 Electrical
 - BP 69 Low Voltage/ Audio Visual
-

#	Question:	Date:	Answers:	Date by:
1	(NORTH & SOUTH) As far as pipe specification do we use the spec book or schedule on p0.01?	09-10-19	Issued in plumbing drawings included in ADD #3.	NAS 9-20-19
2	(NORTH) Can you clarify that the Fire Protection work is not in the Plumbing scope of Work? I did not see a bid form for them and nothing in plumbing SOW. Also, is BIM required for this project or just cad coordination?	9-10-19	The Fire Protection is work is NOT part of the plumbing scope of work. This work has already been bid out and under contract with Valley Fire Protection. No BIM, just CAD coordination.	NAS 9-10-19
3.	(NORTH & SOUTH) South school plan A1.4.0 shows wall types 1C05.North school plan A1.03 shows wall types 1C17 and legend on A1.03 of north plan indicates to see A8 for partition types. There is no A8 drawings issued and there are no partition types indicated. Please clarify partition types for each building.	9-10-19	Wall section will be issued in ADD #3.	NAS 9-10-19
4.	(NORTH) There is a door schedule on the south building, but there is none shown on the north building plans. Please issue a door schedule for the north building.	9-10-19	Door Schedule will be issued in ADD #3.	NAS 9-10-19

5.	(NORTH & SOUTH) Which contractor is providing the pre engineered support structure as indicated on the north building section detail 6/A1.04 including metal framing, horizontal perlins,metal wall panels,pre engineered building insulation as shown on details on A1.05 and the south building section 2/A4.4.0 and A5.4.0 including metal framing, horizontal purlins,metal wall panels,pre engineered insulation as shown for the squad rooms.?	9-10-19	The Structural and Metal Panel enclosure will be by JWI Bleacher contractor. The insulation for the building is by the General Trades Package.	NAS 9-10-19
6.	(NORTH & SOUTH) Please provide the scope for the bleacher contractor's work as it relates to this bid package.	9-10-19	Review General Trades scope of work.	NAS 9-10-19

7.	(NORTH & SOUTH) a. Clarify the extent of 055213-Pipe and Tube Handrails the General Trades contractor is to furnish and install. I noticed handrails at the squad rooms at ramp/stairs leading to toilets. Are we to provide all handrails at bleachers? b. Clarify the chain link fence enclosure the bleacher contractor is providing. Reference 6/A1.04, is it in reference to the chain link skirting under the bleacher walk way? c. Not clear if the visitors bleachers require chain link fence at perimeter? d. Reference 3/A1.04, is there metal framing required at Metal Panel at underside of Vomitory and Press Box?	9-10-19	a. Yes. b. Correct. This chain link fence skirt at the front of each bleacher system is by others. c. No fence at visitor bleacher. d. Metal panels are by bleacher contractor.	NAS 9-10-19
8.	(NORTH & SOUTH) DG South door schedule is missing hardware set type per door.	9-10-19	AOR will look into this and provide in ADD #3.	NAS 9-10-19
9.	(NORTH & SOUTH) DG North/South clarify wall types.	9-10-19	AOR to provide in ADD #3.	NAS 9-10-19
10.	(NORTH & SOUTH) Clarify 033660-Concrete Sealer locations.	9-10-19	The whole floor gets sealed.	NAS 9-10-19

11.	(NORTH & SOUTH) On drawing C2.02 key notes 16 and 17 calls for a decorative metal fence. There is no mention in the general trades bid package to include this fencing.		Yes this fencing needs to be included in the bid package.	NAS 9-10-19
12.	(NORTH & SOUTH) Key note 17 calls for a 10' wide decorative metal double swing gate however when scaling the gate opening I'm coming up with a 16' opening. Please clarify.	9-9-19	Follow key note on both projects. Double swing gates identified in key Note #17 at North High shall be 10 feet wide.	DS 9-20-19
13.	(NORTH & SOUTH) Please confirm key note 18,19 and 20 as highlighted confirms the limits of the 4' tall fence per the attached drawing is part of the general trades bid package.	9-9-19	The 4' black coated vinyl Fence directly in front of the bleacher system at both north and south is by the Bleacher Contractor and is part of their scope of work. Everything else you have highlighted is to be included in the bid package.	NAS 9-10-19
14.	(NORTH & SOUTH) On drawing A1.03 in the squad rooms calls for a 9' tall chain link fence. Is this fence galvanized or vinyl coated? Should it include a top, middle and bottom rail? Are the posts base plated?	9-9-19	Interior fencing shall be mesh partitions per specification 102213 and not chain link fencing.	NAS 9-20-19
15.	(NORTH & SOUTH) Per the exterior elevations it appears that all the insulated flood vents are in the masonry. Does the general trades contractor furnish the flood vents and coordinate final locations with the masonry sub and turn over all the flood vents to the mason to be installed concurrently with the CMU/face-brick? Please advise.	9-9-19	Flood Vents are furnished and installed by the General Trades Contractor. General Trades needs to install while masonry is being installed or provide rough opening to the mason so that they could be installed after masonry is completed.	NAS 9-10-19
16.	(NORTH & SOUTH) Can you bid just one school, or do you have to supply a number for both?	9-6-19	No. Need to bid both.	NAS 9-10-19

17.	(NORTH & SOUTH) Bid Package 65's bid form is titled "General Trades Utilities", and PDF pages 6, 7, 14, 15, and 16 are dated 2013. I don't want to fill it out if you will be re-issuing by addendum. Please advise, I can edit if you don't re-issue.	9-6-19	Will be issued in Addendum #2.	NAS 9-10-19
18.	(NORTH & SOUTH) What trade provides the lockers and bench?	9-10-19	There are no lockers or benches in the scope of work.	NAS 9-10-19
19.	(NORTH & SOUTH) The toilet accessory schedule is missing. Are toilet accessories required?	9-10-19	North toilet accessory schedule is on A1.04. South toilet accessory schedule to be issued in ADD #3.	NAS 9-10-19
20.	(NORTH & SOUTH) Does the floor require 033660-Concrete Sealer?	9-10-19	The whole floor gets sealed.	NAS 9-10-19
21.	(NORTH & SOUTH) Does this project require a 1yr or 2yr warranty?	9-11-19	1 year, unless specific products in the spec call for more.	NAS 9-10-19
22.	(NORTH) Sheet C1.02 shows the fence on the west side of the bleacher to only have the south portion of the fence to be removed. Please confirm that the entire length of fence running along the bleachers are to be removed.	9-11-19	See revised sheet C1.02 in addendum 3.	DS 9-20-19
23.	(NORTH & SOUTH) On Drawing E3.01S there are two rows of F-2 Fixtures, but the fixture schedule says it's a can light and there looks to be (2) Can Lights in the Stairwell? Need Clarification on the Highlighted items on attached drawing.	9-11-19	The linear fixtures in the low storage area are F-4 types Lithonia LBL4 there are only 2 downlights at the entry, the tags for the fixtures in the low storage area need to be updated. Refer to exhibit #1 in this Q&A log.	SJ 9-12-19

24.	(NORTH & SOUTH) Is the \$10,000.00 allowance for both schools or should each school have their own \$10,000.00 allowance?	9-12-19	For all packages the allowance is to be split between schools.	NAS 9-10-19
25.	(NORTH & SOUTH) Are we to provide the fire protection RPZ for both North and South? It is in the schedule for South but not North.	9-11-19	Yes the Plumbing Bid Package should include the RPZ for both north and south and all piping up the flexible connection fitting.	NAS 9-10-19
26.	Is there any masonry work at Press Box?	9-16-19	No. Pressbox is fully furnished by Bleach contractor.	NAS 9-16-19
27.	What is the duration of the North project I need to know how many months for the road plate rental. Do you know the depth of the Piers both location or have an foundation plans for the bleachers.	9-13-19	7 months for plates. We do not know the actual depth of the footings but you should assume frost depth at -4-0"	NAS 9-16-19
28.	Are all the Rooms to be painted at Downers North and South? There is no Finish Schedule.	9-16-19	All cmu partitions, hollow metal doors and frames, and gypsum ceilings shall be painted. Refer to specifications for painting type at each substrate.	DS 9-20-19
29.	Addendum 1 calls for sealed concrete, I am unable to find SC called out on the prints. What areas are to received SC?	9-16-19	The whole floor gets sealed.	KK 9-17-19

30.	<p>For DGS please refer to the Mechanical Floor Plan Level 1-Squad Rooms on Drawing # M2.01.s wherein the following is noted between Columns S.5 & S.6: "Run Gas Piping In Ceiling Structure Above". For DGN please refer to the Mechanical Floor Plan-Squad Rooms on Drawing # M2.00.s wherein the 1-1/2" gas line routing between buildings is indicated.</p> <p>We assume that the same note for DGS applies to DGN regarding to: "Run Gas Piping in Ceiling Structure Above". We would be most appreciative if you (Wight Co.) could <u>please confirm this assumption.</u></p>	9-17-19	Yes.	NAS 9-20-19
31.	<p>I cannot find 1C17 wall type anywhere for all these 9' high walls. See below. Are these regular medium weight CMU walls or 8" burnished CMUs same as the exterior walls? Can you please help?</p>	9-16-19	Wall types will be issued in ADD #3 later this week.	NAS 9-18-19

<p>32.</p>	<p>Bid Package 65 General Trades Fencing North</p> <p>1. Is the vinyl coated chain link guard rails along the sides and back of the bleachers in the general trades package?</p> <p>2. Is the chain link fence enclosure at the front of the bleachers which is by others per the scope the section directly above the skirting? It looks like there is also fencing around the handicap seating.</p> <p>South</p> <p>1. Is the only fencing the 4' high around the concrete per note 28 on sheet C2.02 and the chain link skirting in front of the bleachers from cantilevered gate to swing gate?</p> <p>Metal Handrails North</p> <p>1. Are the only handrails in General Trades package at the ramp and stairs at the home and visitors squad rooms? Nothing for the bleachers or bleacher stairs?</p> <p>2. Are the only handrails in General Trades package the five at the exterior entrance? Nothing for the bleacher or bleacher stairs?</p>	<p>9-16-19</p>	<p>The chain link fencing directly attached to the bleachers and ramps is by the bleacher contractor. There is new vinyl chain link security fencing and decorative fencing surrounding the bleachers as shown on the site plans. See addendum #3 for clarification of fencing limits.</p> <p>At North High. The only hand rails not provided by the bleacher contractor are the squad room interior hand rails.</p>	
<p>33.</p>	<p>In the Bid Form documents for Demolition/Tree on page 00361-4 that dumpsters will be procured and managed by the Construction Manager and an over/under of the anticipated dumpster cost will be adjusted by change order. I am unable to find this verbiage in the Project Manual or Specifications. I want to confirm if the Bid Form is correct.</p>		<p>The is not true for the Demo/Tree Removal package, just disregard. The Demo/Tree removal contractor is responsible for all their own dumpsters</p>	<p>NAS 9-20-19</p>

34.	In the Bid Form documents for Demolition/Tree on page 00361-17 and 18 discusses Background Checks. I am unable to find further verbiage in the Project Manual or Specifications regarding the process or cost of the background checks. Will this be provided by the district on site or will we need to go to a preselected third party at cost? If we need to go to a 3 rd party, do you know if there is a preferred facility or the cost per person?	9-19-19	Background checks take place at the school and take about 10 minutes. They use the Raptor system and all we need is the drivers license number and employee name. There is no cost involved.	NAS 9-20-19
35.	Is the bleacher contractor's scope published? I know he has the complete press box. Is the bleacher contractor doing the siding, flashing, and aluminum soffits?	9-18-19	Bleacher contractor is providing press box and all metal panel enclosure, soffits, flashing. The general trade package is everything inside the side rooms including insulation.	NAS 9-18-19

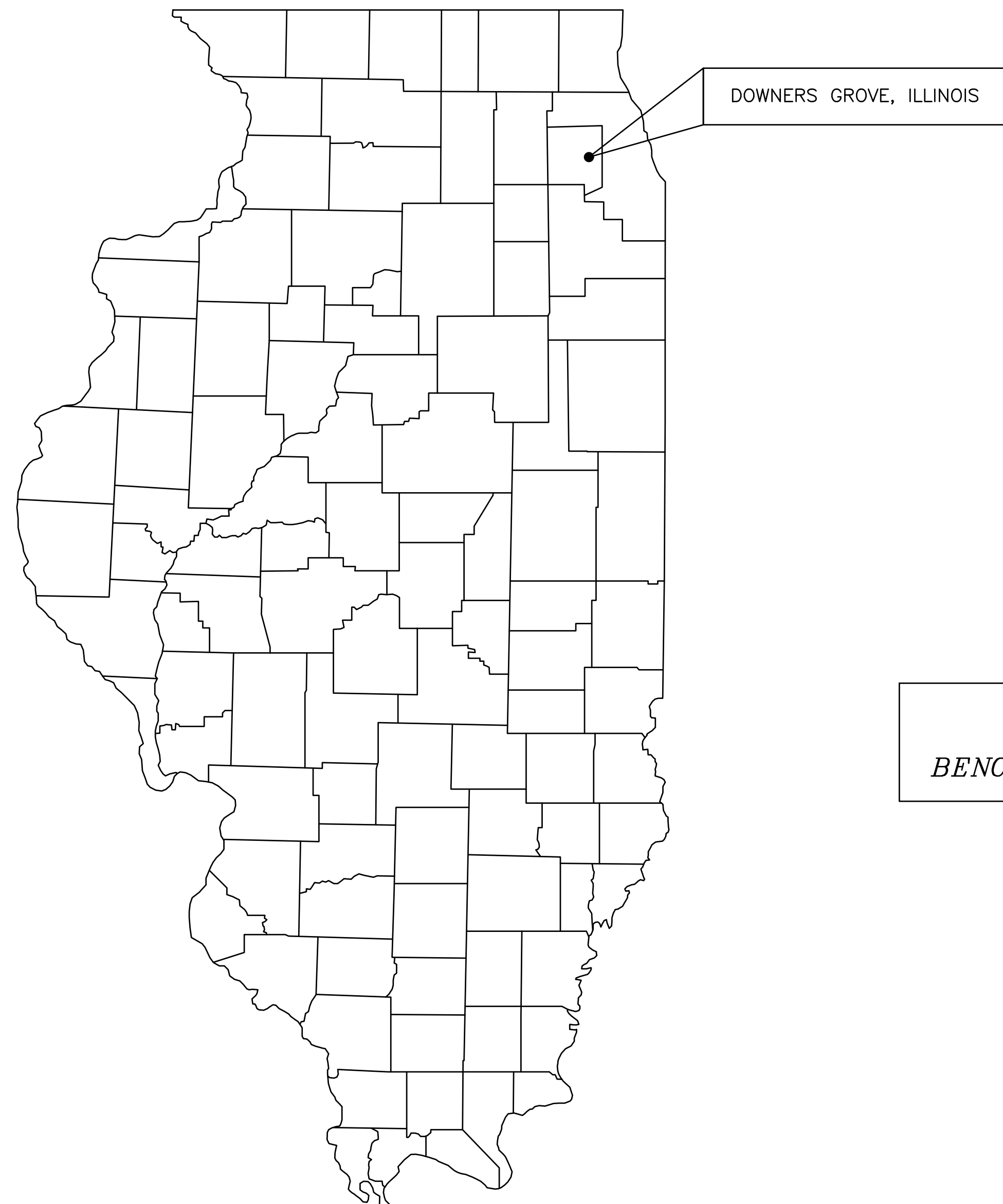
<p>36.</p>	<p>I have a few questions regarding scopes for the bleachers/squad rooms at DGN & DGS.</p> <ol style="list-style-type: none"> 1. At DGN, are there supposed to be railings at the ramp for the home squad room? (attached drawing). 2. Could you clarify wire mesh versus chain link versus security fence? I assume we (the general trades BP#65) needs to include the chain link as I highlighted in the attached drawing. We assume the squad room partitions at North are chain link and at South are wire mesh partitions. 3. Should we include the address signage? The lockers and benches at DGS? 4. The ceiling insulation is noted "R19+R11LS". I understand the specified Thermal Design Simple Saver system. It is perfect for the walls. The benefits of this system over conventional insulation are lost in the ceilings as they will be covered with drywall. The system is basically fiberglass batts pulled over a fabric cover. Is the R11LS part supposed to be the typical over the purlin engineered building insulation combined with the Simple saver R19 underneath? 		<ol style="list-style-type: none"> 1. The only railings you need to include are those that are in the interior of the building. 2. Both Schools should have wire mesh. This was a mistake on North's drawings and will be cleaned up in ADD #3 which I am waiting for the Architects to get to me so I can send it out. 3. Yes. Yes, 4. All insulation should be the same for walls and ceiling. 	
------------	---	--	--	--

37.	There is a masonry knee wall on the complete east elevation at South. May I please have a little more info about this? I still can't find this knee wall.	9-18-19	See attached exhibit #2 in this Q&A log for the limits of knee wall. This will be clarified in ADD #3.	NAS 9-20-19
-----	---	---------	--	----------------

STADIUM, PRESS BOX & ENCLOSURE SYSTEMS

for

DOWNERS GROVE NORTH HIGH SCHOOL ATHLETIC FACILITY 4436 Main Street Downers Grove, Illinois DuPage County



DOWNERS GROVE, ILLINOIS

ELEVATION DESIGNATIONS
BENCHMARK: FINISHED FLOOR ELEV=734.70'

DESIGN PARAMETERS – STADIUM (AS PER 2015 IBC CODE-ICC 300-12)

CLASSIFICATION (SECTION 302)
ASSEMBLY – GROUP A
OCCUPANCY (SECTION 303.6)
A-5

LIVE LOADS
VERTICAL LOADS = 100 PSF
SEATS & FOOTBOARDS = 120 PLF
SEATING PLATFORMS = 100 PSF
AISLES = 100 PSF

SWAY LOADS
PARALLEL TO SEATING = 24 PLF
NORMAL TO SEATING = 10 PLF

SNOW LOADS = 21 PSF

WIND LOADS = 20 PSF
(BASED ON 120 MPH AND A STRUCTURE HEIGHT OF 28ft OR LESS)

GUARDRAILS = 50 PLF OR 200 LB.
(CONCENTRATED LOAD)

MATERIALS
STEEL "W" MEMBERS:
A992, Fy = 50 KSI
STEEL REINFORCEMENT ANGLES,
CLIP ANGLES, & PLATES:
ASTM A-36, Fy = 36 KSI

ALUM:
EXTRUSIONS = 6063-T6
FORMED ALUM PLATE SHAPES = 5052-H32

FASTENERS
PRIME CONNECTIONS = A325 – GALVANIZED
ALL OTHERS = A325 & GRADE 5 – GALVANIZED

DESIGN SOIL BEARING PRESSURE = 9.0 KSF
SEISMIC DESIGN
CATEGORY = B
SITE CLASS = D
S_s = 0.187g
S₁ = 0.063g
S_{ps} = 0.200g
S_{D1} = 0.100g

DESIGN PARAMETERS – PRESS BOX (AS PER 2015 IBC CODE-ICC 300-12)

CLASSIFICATION (SECTION 302)
ASSEMBLY – GROUP A
OCCUPANCY (SECTION 303.4)
A-3

FLOOR LOAD = 60 PSF
LIVE LOAD = 50 PSF
DEAD LOAD = 10 PSF

ROOF LOAD = 20 PSF
DEAD LOAD = 10 PSF

WIND LOADS = 20 PSF
(BASED ON 120 MPH AND A STRUCTURE HEIGHT OF 33ft OR LESS)

GUARDRAILS = 50 PLF OR 200 LB.
(CONCENTRATED LOAD)

MATERIALS
STEEL "W" MEMBERS:
A992, Fy = 50 KSI
STEEL REINFORCEMENT ANGLES,
CLIP ANGLES, & PLATES:
ASTM A-36, Fy = 36 KSI

WOOD FRAMING:
WALL STUDS & CEILING JOISTS = SPF
f'b = 1250 PSI (SELECT STRUCTURAL)
FLOOR JOISTS = SOUTHERN YELLOW PINE MSR
f'b = 1950 PSI (MACHINE STRESS RATED)

FASTENERS
PRIME CONNECTIONS = A325 – GALVANIZED
ALL OTHERS = A325 & GRADE 5 – GALVANIZED

DESIGN PARAMETERS – ENCLOSURE (AS PER 2015 IBC CODE-ICC 300-12)

CLASSIFICATION (SECTION 311)
STORAGE – GROUP S
OCCUPANCY (SECTION 311.3)
S-1

WIND LOADS = 20 PSF
(BASED ON 120 MPH AND A STRUCTURE HEIGHT OF 22ft OR LESS)

MATERIALS
WALL FRAMING
Fy = 55 KSI
SIDING
Fy = 52.7 KSI
FASTENERS
PRIME CONNECTIONS = A325 – GALVANIZED
ALL OTHERS = GRADE 5 – GALVANIZED

INDEX OF DRAWINGS

SHEET	DESCRIPTION	REV
GENERAL		
★ 1	COVER SHEET	0
★ 2	CODE SUMMARY	0
★ 3	PURCHASED PARTS	0
★ 4	PROJECT SITE PLAN	0
STADIUM		
★ 5	PLAN VIEW	0
★ 6	FOUNDATION PLAN	0
★ 7	FOUNDATION DETAILS	0
★ 8	STRUCTURAL PLAN	0
★ 9	STRUCTURAL DETAILS	0
★ 10	STRUCTURAL DETAILS	0
★ 11	ENCLOSURE PLAN	0
★ 12	SECTION A – SEATING @ END BAYS	0
★ 13	SECTION B – SEATING TYP	0
★ 14	SECTION C – SEATING TYP	0
★ 15	SECTION D – SEATING @ PRESS BOX	0
★ 16	SECTION E – SEATING @ FILMING PLATFORM	0
★ 17	SECTION F – AISLE TYP	0
★ 18	SECTION G – AISLE @ PRESS BOX (NORTH)	0
★ 19	SECTION H – AISLE @ CENTER	0
★ 20	SECTION J – VOMITORY (NORTH)	0
★ 21	SECTION J – ENCLOSURE FRAMING	0
★ 22	SECTION K – VOMITORY (SOUTH)	0
★ 23	SECTION K – ENCLOSURE FRAMING	0
★ 24	VIEW L – END ELEVATION (NORTH)	0
★ 25	VIEW L – ENCLOSURE FRAMING	0
★ 26	VIEW M – END ELEVATION (SOUTH)	0
★ 27	VIEW M – ENCLOSURE FRAMING	0
★ 28	VIEW N – FRONT ELEVATION (EAST)	0
★ 29	VIEW P – BACK ELEVATION (WEST)	0
★ 30	VIEW P – BACK FRAMING	0
★ 31	VIEW P – BACK ENCLOSURE DETAILS	0
★ 32	ADA RAMP PLAN VIEW (NORTH)	0
★ 33	ADA RAMP SECTIONS (NORTH)	0
★ 34	ADA RAMP PLAN VIEW (SOUTH)	0
★ 35	ADA RAMP SECTIONS (SOUTH)	0
★ 36	ADA RAMP DETAILS	0
★ 37	ACCESS STAIR (NORTH)	0
★ 38	ACCESS STAIR (SOUTH)	0
★ 39	ACCESS STAIRS (VOMITORY NORTH & SOUTH)	0
★ 40	ADA WHEELCHAIR SEATING	0
PRESS BOX		
★ 41	PLAN VIEW	0
★ 42	STRUCTURAL PLAN	0
★ 43	STRUCTURAL DETAILS	0
★ 44	SECTION TYP	0
★ 45	SHIPS LADDER DETAILS	0
★ 46	ELEVATIONS	0

★ INDICATES DRAWINGS INCLUDED IN THIS PRELIMINARY SET

PROFESSIONAL ENGINEER STAMP

REV	DATE	DESCRIPTION	REV BY:
0	09-19-19	SUBMITTED FOR A/E REVIEW	ALR

JW INDUSTRIES INC.
5662 Glendale Ave.
Green Bay, WI 54313
(920) 865-7307 Fax (920) 865-7777
jwoffice@jwindustriesinc.com
"We provide everything except the spectators."

PROJECT:	STADIUM, PRESS BOX, & ENCLOSURE SYSTEMS
CLIENT:	DOWNERS GROVE COMMUNITY HIGH SCHOOL
DESIGN FIRM:	COMMUNITY HIGH SCHOOL DISTRICT 99
ARCHITECT:	RICE ENGINEERING, INC.
	WIGHT & COMPANY
JOB#: 19332	DATE: 09-19-19 DRAWN BY: ALR/REI SHEET NUMBER: 1 OF 46

CODE SUMMARY
 REFERENCES: 2015 INTERNATIONAL BUILDING CODE
 INTERNATIONAL CODE COUNCIL 300-2012
 CLASSIFICATION (SECTION 302)
 ASSEMBLY GROUP A (SECTION 303)
 ASSEMBLY GROUP A-5 (SECTION 303.6) BLEACHERS
 ASSEMBLY GROUP A-3 (SECTION 303.4) PRESS BOX
 STORAGE GROUP S (SECTION 311)
 MODERATE-HAZARD STORAGE GROUP S-1 (SECTION 311.2) ENCLOSURE

1. NUMBER OF EXITS DETERMINATION
 REFERENCE TO: ICC SECTION 404.1 - MINIMUM NUMBER OF EXITS
 THE MINIMUM NUMBER OF EXITS SHALL BE PROVIDED FROM THE SEATING AREA BASED ON THE FOLLOWING OCCUPANT LOADS AND IN ACCORDANCE WITH THE CALCULATED WIDTH REQUIREMENT FOR EGRESS CAPACITY IN SECTION 404.5

OCCUPANT LOAD	REQUIRED MEANS OF EGRESS
0-250	1
251-750	2
751-2500	3
OVER 2500	4

MINIMUM EXITING REQUIRED: OCCUPANT LOAD OVER 2500 = 4 EXITS
 SUBMITTED DESIGN: CAPACITY 2514 (4) EXITS

2. EXIT WIDTH DETERMINATION
 REFERENCE TO: ICC SECTION 404.5 - REQUIRED WIDTH

THE CLEAR WIDTH OF AISLES AND OTHER MEANS OF EGRESS FOR INDOOR SMOKE-PROTECTED ASSEMBLY SEATING SHALL NOT BE LESS THAN THE OCCUPANT LOAD SERVED BY THE EGRESS ELEMENTS MULTIPLIED BY THE APPROPRIATE FACTOR IN TABLE 404.5(1). THE CLEAR WIDTH OF AISLES AND OTHER MEANS OF EGRESS FOR INDOOR ASSEMBLY SEATING THAT IS NOT SMOKE-PROTECTED SHALL NOT BE LESS THAN THE OCCUPANT LOAD SERVED BY THE EGRESS ELEMENTS MULTIPLIED BY THE APPROPRIATE FACTOR IN TABLE 404.5(2). THE CLEAR WIDTH OF AISLES AND OTHER MEANS OF EGRESS FOR OUTDOOR SMOKE-PROTECTED ASSEMBLY SEATING SHALL NOT BE LESS THAN THE OCCUPANT LOAD SERVED BY THE EGRESS ELEMENTS MULTIPLIED BY THE APPROPRIATE FACTOR IN TABLE 404.5(3). THE TOTAL NUMBER OF SEATS SPECIFIED SHALL BE THOSE WITHIN THE SPACE EXPOSED TO THE SAME ENVIRONMENT. AISLES SHALL ALSO COMPLY WITH SECTION 405.

MINIMUM EXIT WIDTH = TOTAL OCCUPANCY DIVIDED BY # OF EXITS X 0.08 (FACTOR FROM TABLE 404.5(3))
 (IF 2 EGRESS ROUTES ARE COMBINED INTO 1 ROUTE, MULTIPLY TOTAL OCCUPANCY BY .67 TO GET 2/3 OF TOTAL WHICH WILL USE THIS EXIT)

TOTAL OCCUPANCY = 2514
 (2410 SEATS + 20 WC + 20 WC COMPANION SEATS + 64 PRESS BOX MAX. OCCUPANCY)
 NUMBER OF EXIT ROUTES = 4

EXIT ROUTE WIDTH CALCULATED = 50.28"

SUBMITTED DESIGN: FRONT WALKWAY "CLEAR" WIDTH = 61"
 NORTH END STAIR WIDTH = 60"
 NORTH END ADA RAMP WIDTH = 60"
 VOMITORY (NORTH) STAIR WIDTH = 60"
 VOMITORY (SOUTH) STAIR WIDTH = 60"
 SOUTH END STAIR WIDTH = 60"
 SOUTH END ADA RAMP WIDTH = 60"

3. TRAVEL DISTANCE
 REFERENCE TO: IBC SECTION 1029.7

EXITS AND AISLES SHALL BE SO LOCATED THAT THE TRAVEL DISTANCE TO AN EXIT DOOR SHALL BE NOT GREATER THAN 200 FEET (60960 MM) MEASURED ALONG THE LINE OF TRAVEL IN NONSPRINKLERED BUILDINGS. TRAVEL DISTANCE SHALL BE NOT MORE THAN 250 FEET (76200 MM) IN SPRINKLERED BUILDINGS. WHERE AISLES ARE PROVIDED FOR SEATING, THE DISTANCE SHALL BE MEASURED ALONG THE AISLES AND AISLE ACCESSWAYS WITHOUT TRAVEL OVER OR ON SEATS.

EXCEPTIONS:
 1. SMOKE-PROTECTED ASSEMBLY SEATING: THE TRAVEL DISTANCE FROM EACH SEAT TO THE NEAREST ENTRANCE TO A VOMITORY OR CONCOURSE SHALL NOT EXCEED 200 FEET (60960 MM). THE TRAVEL DISTANCE FROM THE ENTRANCE TO THE VOMITORY OR CONCOURSE TO A STAIRWAY, RAMP OR WALK ON THE EXTERIOR OF THE BUILDING SHALL NOT EXCEED 200 FEET (60960 MM).

2. OPEN-AIR SEATING: THE TRAVEL DISTANCE FROM EACH SEAT TO THE BUILDING EXTERIOR SHALL NOT EXCEED 400 FEET (122M). THE TRAVEL DISTANCE SHALL NOT BE LIMITED IN FACILITIES OF TYPE I OR II CONSTRUCTION.

SUBMITTED DESIGN: SEE DETAIL 1 THIS SHEET (TD) = TRAVEL DISTANCE

4. COMMON PATH OF EGRESS TRAVEL
 REFERENCE TO: IBC SECTION 1029.8

THE COMMON PATH OF EGRESS TRAVEL SHALL NOT EXCEED 30 FEET (9144 MM) FROM ANY SEAT TO A POINT WHERE AN OCCUPANT HAS A CHOICE OF TWO PATHS OF EGRESS TRAVEL TO TWO EXITS.

EXCEPTIONS:
 1. FOR AREAS SERVING LESS THAN 50 OCCUPANTS, THE COMMON PATH OF EGRESS TRAVEL SHALL NOT EXCEED 75 FEET (22860 MM).
 2. FOR SMOKE-PROTECTED ASSEMBLY SEATING, THE COMMON PATH OF EGRESS TRAVEL SHALL NOT EXCEED 50 FEET (15240 MM).

SUBMITTED DESIGN: SEE DETAIL 1 THIS SHEET (CP) = COMMON PATH OF EGRESS TRAVEL

5. SEATING ROW LENGTH DETERMINATION
 A. REFERENCE TO: ICC SECTION 407.3 - DUAL ACCESS

FOR ROWS OF SEATING SERVED BY AISLES OR DOORWAYS AT BOTH ENDS, THERE SHALL NOT BE MORE THAN 100 SEATS PER ROW. THE MINIMUM CLEAR WIDTH OF 12 INCHES (305 MM) BETWEEN ROWS SHALL BE INCREASED BY 0.3 INCHES (7.6 MM) FOR EVERY ADDITIONAL SEAT BEYOND 14 WHERE SEATS HAVE BACKRESTS OR BEYOND 21 WHERE SEATS ARE WITHOUT BACKRESTS.

DUAL ACCESS WITHOUT BACKRESTS: MINIMUM CLEAR WIDTH 12" + ADDITIONAL WIDTH DIVIDED BY 0.3
 MINIMUM 12" = 21 SEATS

SUBMITTED DESIGN: 18.25" (SEE DETAIL 2 THIS SHEET)
 ADDITIONAL WIDTH: 6.25" = 20 ADDITIONAL SEATS

MAXIMUM SEATING ROW LENGTH WITH DUAL ACCESS WITHOUT BACKRESTS IS 41 SEATS.

SUBMITTED DESIGN: 25, 21, 19 AND 10 SEATS

B. REFERENCE TO: SECTION 407.4 - SINGLE ACCESS

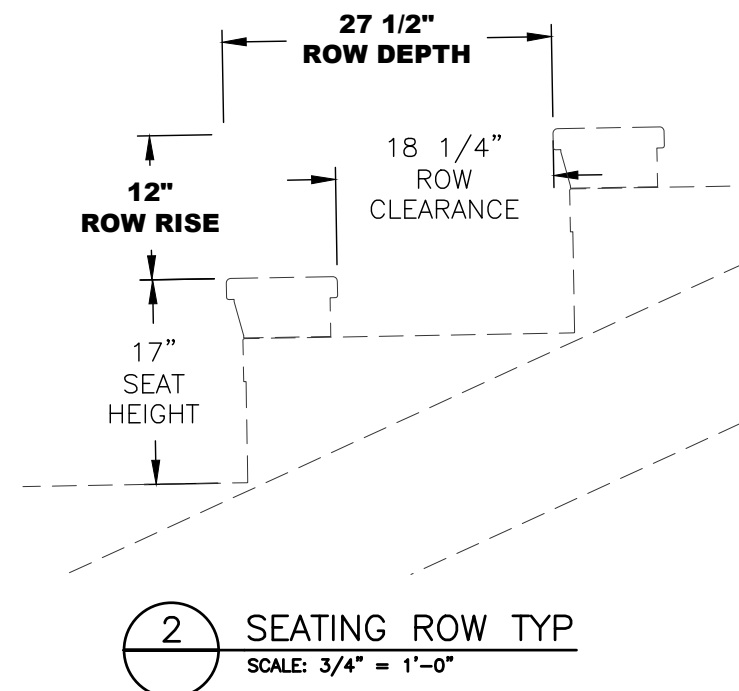
FOR ROWS OF SEATING SERVED BY AISLES OR DOORWAYS AT ONLY ONE END OF THE ROW, THE MINIMUM CLEAR WIDTH OF 12 INCHES (305 MM) BETWEEN ROWS SHALL BE INCREASED BY 0.6 INCHES (7.6 MM) FOR EVERY ADDITIONAL SEAT BEYOND 7 WHERE SEATS HAVE BACKRESTS OR BEYOND 10 WHERE SEATS ARE WITHOUT BACKRESTS. THE MINIMUM CLEAR WIDTH IS NOT REQUIRED TO EXCEED 22 INCHES (559 MM).

SINGLE ACCESS WITHOUT BACKRESTS: MINIMUM CLEAR WIDTH 12" + ADDITIONAL WIDTH DIVIDED BY 0.6
 MINIMUM 12" = 10 SEATS

SUBMITTED DESIGN: 18.25" (SEE DETAIL 2 THIS SHEET)
 ADDITIONAL WIDTH: 6.25" = 10 ADDITIONAL SEATS

MAXIMUM SEATING ROW LENGTH WITH SINGLE ACCESS WITHOUT BACKRESTS IS 20 SEATS.

SUBMITTED DESIGN: 13, 8, 6, 4, AND 3 SEATS



6. ACCESSIBLE SEATING CALCULATION
 REFERENCE TO: IBC SECTION 1108.2.2.1 GENERAL SEATING

WHEELCHAIR SPACES SHALL BE PROVIDED IN ACCORDANCE WITH TABLE 1108.2.2.1.

WHEELCHAIR SEATING REQUIRED FOR CAPACITY 501 TO 5000 = 6, PLUS 1 FOR EACH 150 A FRACTION THERE OF, BETWEEN 501 THRU 5000.

SUBMITTED DESIGN: SPECTATOR CAPACITY 2410 (20) WHEELCHAIRS

7. ACCESSIBLE ROUTE - PRESS BOX
 REFERENCE TO: IBC SECTION 1104.3.2 PRESS BOXES

PRESS BOXES IN A BUILDING, ROOM, OR SPACE USED FOR ASSEMBLY PURPOSES SHALL BE ON AN ACCESSIBLE ROUTE.

EXCEPTIONS:

1. AN ACCESSIBLE ROUTE SHALL NOT BE REQUIRED TO PRESS BOXES IN BLEACHERS THAT HAVE A SINGLE POINT OF ENTRY FROM THE BLEACHERS, PROVIDED THAT THE AGGREGATE AREA OF ALL PRESS BOXES FOR EACH PLAYING FIELD IS NOT MORE THAN 500 SQUARE FEET (46 M²).

2. AN ACCESSIBLE ROUTE SHALL NOT BE REQUIRED TO FREE-STANDING PRESS BOXES THAT ARE MORE THAN 12 FEET (3660 MM) ABOVE GRADE PROVIDED THAT THE AGGREGATE AREA OF ALL PRESS BOXES FOR EACH PLAYING FIELD IS NOT MORE THAN 500 SQUARE FEET (46 M²).

THE PRESS BOX FOR THIS PROJECT IS NOT REQUIRED TO HAVE AN ACCESSIBLE ROUTE PER EXCEPTION 1104.3.2.1.

SUBMITTED DESIGN: 453 SQUARE FEET

8. HEATING AND VENTILATION OF PRESS BOX
 REFERENCE TO: SPS 364.0309

THE PRESS BOX SYSTEM DOES NOT HAVE A SEPARATE HEATING SYSTEM BECAUSE THE MINIMUM TEMPERATURE REQUIRED CAN BE ESTABLISHED AS NO MINIMUM REQUIRED (NMR) DUE TO THE LIMITED USE AND THE FACT THAT THE USE AND TIME OCCUPIED IS SIMILAR OR LESS THAN THE OTHER OCCUPANCIES THAT HAVE "NMR" LISTING IN SPS TABLE 364.0309.

SUBMITTED DESIGN: "NOT HEATED"

THE PRESS BOX SYSTEM DOES NOT HAVE A SEPARATE VENTILATION SYSTEM BUT RATHER UTILIZES "NATURAL VENTILATION (PER 402.1) OF AN OCCUPIED SPACE SHALL BE THROUGH WINDOWS, DOORS, LOUVERS OR OTHER OPENINGS TO THE OUTDOORS." PER (402.2) THE VENTILATION AREA REQUIRED - THE MINIMUM OPENABLE AREA TO THE OUTDOORS SHALL BE 4 PERCENT OF THE FLOOR AREA BEING VENTILATED.

THE AREA OF OPENINGS FOR THIS 453 SQUARE FOOT PRESS BOX BASED ON THE 4% MINIMUM WOULD BE 19 SQUARE FEET.

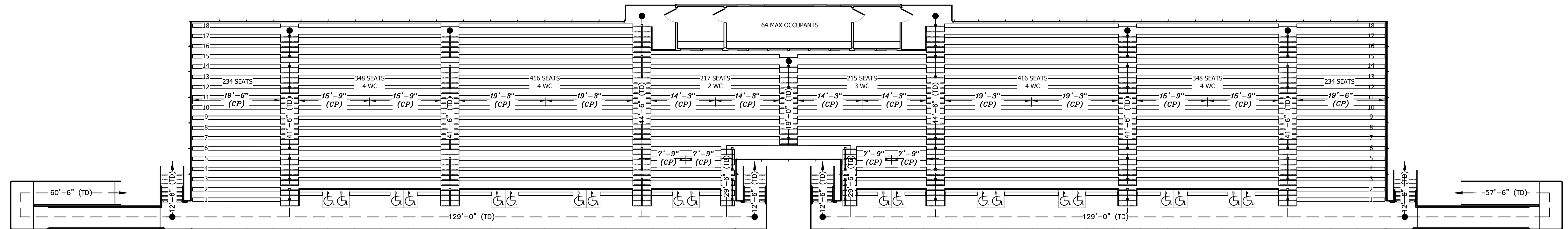
SUBMITTED DESIGN: 453 SQUARE FEET = 35%
 (TOTAL OF 6 EXTERIOR OPERABLE WINDOWS AND 2 DOORS)

9. CAPACITY OF PRESS BOX
 REFERENCE TO: IBC SECTION 1004.1.2 AREAS WITHOUT FIXED SEATING

THE NUMBER OF OCCUPANTS SHALL BE COMPUTED AT THE RATE OF ONE OCCUPANT PER UNIT AREA AS PRESCRIBED IN TABLE 1004.1.2. FOR AREAS WITHOUT FIXED SEATING, THE OCCUPANT LOAD SHALL BE NOT LESS THAN THAT NUMBER DETERMINED BY DIVIDING THE FLOOR AREA UNDER CONSIDERATION BY THE OCCUPANT LOAD FACTOR ASSIGNED TO THE FUNCTION OF THE SPACE AS SET FORTH IN TABLE 1004.1.2.

PER TABLE 1004.1.2, THE PRESS BOX IS CONSIDERED ASSEMBLY WITHOUT FIXED SEATS, CONCENTRATED (CHAIRS ONLY-NOT FIXED) = 7 NET.

SUBMITTED DESIGN: 64 MAXIMUM OCCUPANTS
 (453 SQUARE FEET DIVIDED BY 7 NET)



SEATING CAPACITY:
 2410 BENCH SEATS (BASED ON 18" SEAT WIDTH)
 20 WHEELCHAIRS (BASED ON 36" WIDTH)
 20 WHEELCHAIR COMPANION SEATS (REQUIRED FOR WHEELCHAIR SEATING)
 2450 TOTAL SPECTATORS
 64 PRESS BOX MAX. OCCUPANCY
 2514 TOTAL OCCUPANCY

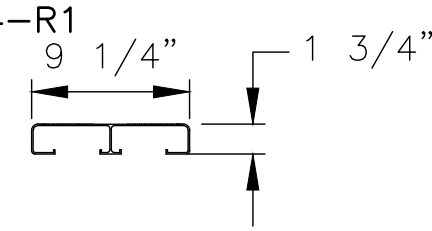
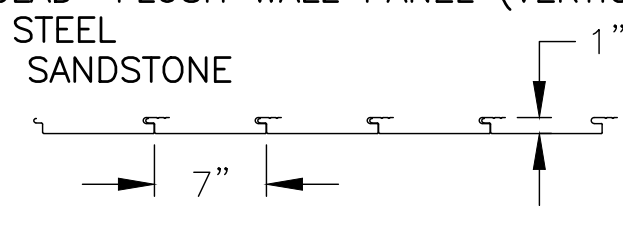
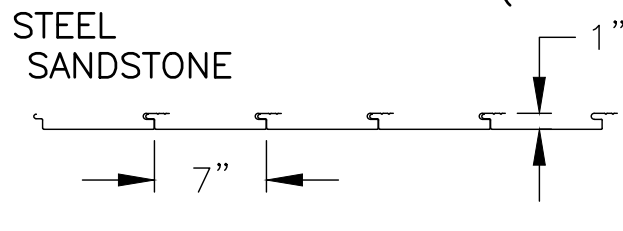
1 EXIT ANALYSIS PLAN
 SCALE: 3/32" = 1'-0"

REV	DATE	DESCRIPTION	REV BY:
0	09-19-19	SUBMITTED FOR A/E REVIEW	ALR

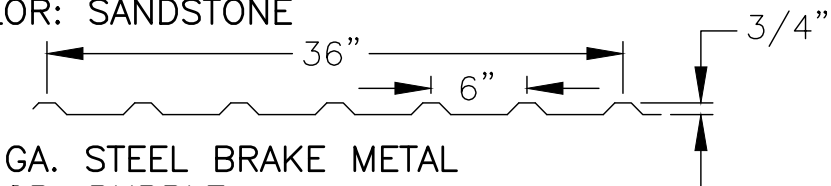
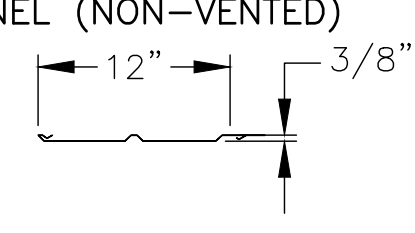
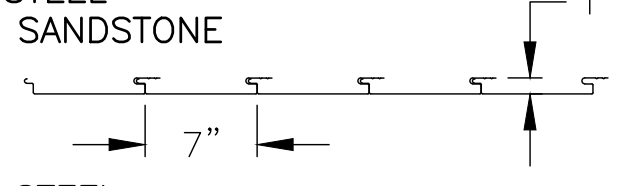
JW INDUSTRIES INC.
 5662 Glendale Ave.
 Green Bay, WI 54313
 (920) 865-7307 Fax (920) 865-7777
 jwoffice@jwindustriesinc.com
 "We provide everything except the spectators."

PROJECT:	STADIUM, PRESS BOX, & ENCLOSURE SYSTEMS
CLIENT:	DOWNERS GROVE NORTH COMMUNITY HIGH SCHOOL
DESIGN FIRM:	COMMUNITY HIGH SCHOOL DISTRICT 99
ARCHITECT:	RICE ENGINEERING, INC.
JOB#:	WIGHT & COMPANY
DATE:	19332
DRAWN BY:	09-19-19
SHEET NUMBER:	ALR/REI
	2 OF 46

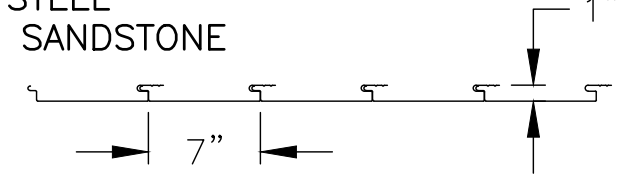
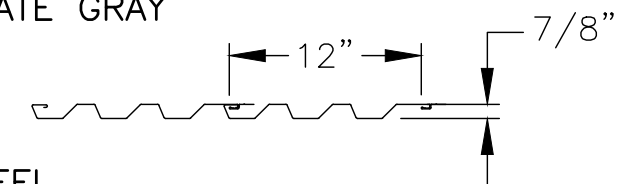
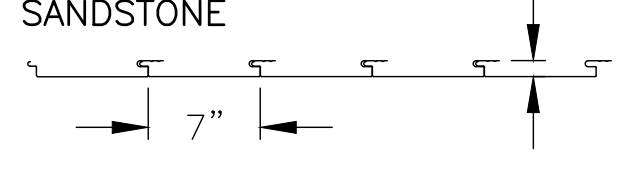
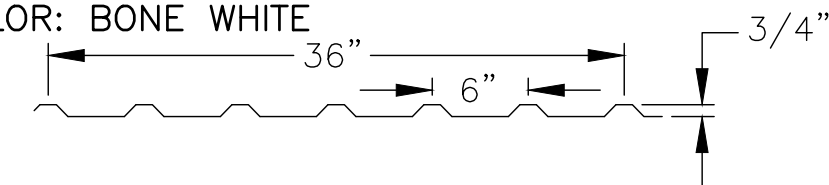
**STADIUM
PURCHASED PARTS LIST**

ITEM	MANUFACTURER	DESCRIPTION
FRAMING COMPONENT FINISH	AZZ GALVANIZING	HOT DIPPED GALVANIZED ASTM A123
DECK PLATE	HEIDTMAN STEEL PRODUCTS	14 GA MEDIUM PATTERN DECK PLATE 4 WAY STEEL A-527 MIN, HOT-ROLLED, ASTM GRADE A786, FINISH: GALVANIZED COATED G90 SPANGLE TYPE: "MINIMUM", LIGHT OIL, CHEM TREATED
NON-SKID TAPE	3M	2" WIDE SAFETY WALK GRIP TAPE-CONFORMABLE COLOR: BLACK
SEAT PLANK	LINETEC	2 x 10 x 0.085 WALL THICKNESS FINISH: CLEAR ANODIZED #204-R1 
SEAT BRACKET FINISH	N/A	ALUMINUM FINISH: MILL
MID-AISLE RAILING FINISH	GREEN BAY ANODIZING	CLEAR ANODIZED #204-R1
WHEELCHAIR SLOT RAILING FINISH	GREEN BAY ANODIZING	CLEAR ANODIZED #204-R1
WHEELCHAIR RAMP FRAMING FINISH	AZZ GALVANIZING	HOT-DIPPED GALVANIZED ASTM A123
WHEELCHAIR RAMP RAILING FINISH	AZZ GALVANIZING	HOT-DIPPED GALVANIZED ASTM A123
	PPG	SURFACE PREP = SSPC-SP 7 (BRUSH-OFF BLAST CLEANING) PRIMER = AMERLOCK 2 EPOXY COLOR: BLACK DRY FILM THICKNESS (D.F.T.) - 4.0-8.0 MILS TOP COAT = AMERCOAT 450H POLYURETHANE COLOR: BLACK DRY FILM THICKNESS (D.F.T.) - 2.0-3.0 MILS TOTAL PAINT SYSTEM = 6.0-11.0 MILS D.F.T.
	PPG	
STAIR FRAMING FINISH	AZZ GALVANIZING	HOT-DIPPED GALVANIZED ASTM A123
STAIR RAILING FINISH	AZZ GALVANIZING	HOT-DIPPED GALVANIZED ASTM A123
	PPG	SURFACE PREP = SSPC-SP 7 (BRUSH-OFF BLAST CLEANING) PRIMER = AMERLOCK 2 EPOXY COLOR: BLACK DRY FILM THICKNESS (D.F.T.) - 4.0-8.0 MILS TOP COAT = AMERCOAT 450H POLYURETHANE COLOR: BLACK DRY FILM THICKNESS (D.F.T.) - 2.0-3.0 MILS TOTAL PAINT SYSTEM = 6.0-11.0 MILS D.F.T.
	PPG	
GUARDRAIL POST FINISH	SHERWIN WILLIAMS	PRIMER = MACROPOXY 646 GREY PAINT = ACROLON 218 HS SEMI-GLOSS
		TOP COAT COLOR: BLACK (PAINTED OVER GALVANIZING)
GUARDRAIL CHAIN LINK FABRIC	RICHARDS FENCE CO.	VINYL COLOR: BLACK
GUARDRAIL PIPE	RICHARDS FENCE CO.	VINYL COLOR: BLACK
GUARDRAIL WIRE TIES	RICHARDS FENCE CO.	VINYL COLOR: BLACK
TENSION BARS, PANEL CLAMPS, RAIL ENDS	RICHARDS FENCE CO.	VINYL COLOR: BLACK
ACCENT PANELS (FRONT, BACK, ENDS, & VOMITORY)	WRISCO	24 GA. STEEL BRAKE METAL COLOR: PURPLE
RISER PANELS (FACE OF AISLE STEPS)	WRISCO	4"H 24 GA. STEEL BRAKE METAL COLOR: PURPLE
WHEELCHAIR SLOT SKIRTING	PETERSEN ALUMINUM CO.	"PAC-CLAD" FLUSH WALL PANEL (VERTICAL) 24 GA STEEL COLOR: SANDSTONE 
FILMING PLATFORM SKIRTING	PETERSEN ALUMINUM CO.	"PAC-CLAD" FLUSH WALL PANEL (VERTICAL) 24 GA STEEL COLOR: SANDSTONE 

**PRESS BOX
PURCHASED PARTS LIST**

ITEM	MANUFACTURER	DESCRIPTION
ROOF	PETERSEN ALUMINUM CO.	PAC-CLAD M-36 24 GA x 38" PANEL (COVERS 36") COLOR: SANDSTONE 
ROOF FASCIA	WRISCO	24 GA. STEEL BRAKE METAL COLOR: PURPLE
ROOF UNDERLAYMENT	GAP GREAT ASPHALT PRODUCTS	#30 ASPHALT ROOFING FELT
ROOF SHEETING	LOUISIANA-PACIFIC	7/16" OSB
ROOF SOFFIT	PETERSEN ALUMINUM CO.	PAC-750 SOFFIT SOLID PANEL (NON-VENTED) .032 ALUMINUM COLOR: SANDSTONE 
VAPOR BARRIER	DUPONT	"TYVEK" HOME WRAP
WALL SIDING	PETERSEN ALUMINUM CO.	"PAC-CLAD" FLUSH WALL PANEL (VERTICAL) 24 GA STEEL COLOR: SANDSTONE 
WALL CORNER TRIM	PETERSEN ALUMINUM CO.	24 GA. STEEL COLOR: SANDSTONE
WINDOWS	AJ MANUFACTURING Inc.	FRONT: (2 REQ'D) 54"w x 48"h (ROUGH OPENING) (2 REQ'D) 50"w x 48"h (ROUGH OPENING) BACK: (2 REQ'D) 72"w x 48"h (ROUGH OPENING) HARMONY SERIES (NEW CONSTRUCTION TYPE) TWIN VENT (DOUBLE) SLIDER W/STANDARD GLASS, DOUBLE LOCKS AND FULL SCREEN COLOR: TAN FRONT: (2 REQ'D) 54"w x 48"h (ROUGH OPENING) (4 REQ'D) 50"w x 48"h (ROUGH OPENING) HARMONY SERIES (NEW CONSTRUCTION TYPE) PICTURE WINDOW W/STANDARD GLASS P#PW06048WWXBY COLOR: TAN
SUBFLOOR SHEETING	HUBER ENGINEERED WOODS COMPANY	23/32" T&G OSB "ADVANTECH"
WALK THRU DOOR (EXTERIOR) (2 REQ'D)	AJ MANUFACTURING Inc.	7100 SERIES 3'-0"w x 6'-8"h INSULATED STEEL DOOR REVERSIBLE LOCK SIDE THRESHOLD W/DOOR SWEEP DOOR CLOSER PROVIDED COLOR: PAINT TO MATCH PAC-CLAD "SLATE GRAY"
LOCKSET	SHERWIN WILLIAMS BOND PLEX	SCHLAGE
		SATURN 626 MODEL #S51PD-SAT626 (LEVER/LEVER) WITH STRIKE SECURITY PLATE FINISH: SATIN CHROME
WALK THRU DOORS (INTERIOR) (2 REQ'D)	MASTERCRAFT	PREHUNG 36"x80" PRIMED SMOOTH, FLUSH, FLAT, SINGLE DOOR, SOLID CORE, BORE WITH EDGE PREP AND MORTISED, 4 9/16" (2X4 CONSTRUCTION) PRIMED WOOD CORE FRAME, SATIN NICKEL HINGES ROUGH OPENING 38"x 82 1/2"
WINDOWS (INTERIOR) (2 REQ'D)	HARMONY	18"w x 40"h (ROUGH OPENING) HARMONY PICTURE WINDOW CUSTOM NO TRIM, LOW E GLASS COLOR: WHITE
SUBFLOOR SHEETING	HUBER ENGINEERED WOODS COMPANY	23/32" T&G OSB "ADVANTECH"
CARPET	SHAW CARPET CO.	TBD COLLECTION COLOR: TBD BY OWNER
INTERIOR WALL PANELS	LOUISIANA-PACIFIC	"SMARTSIDE" 7/16" T&G COMPOSITE PANEL COLOR: ALABASTER #SW7008 (OFF-WHITE)
INTERIOR CEILING PANELS	LOUISIANA-PACIFIC	"SMARTSIDE" 7/16" T&G COMPOSITE PANEL COLOR: ALABASTER #SW7008 (OFF-WHITE)
COUNTERTOP	PIONITE	COLOR: TBD BY OWNER
ROOF HATCH	BILCO	30" x 54" HATCH OPENING MODEL #: T9AB692236 CONSTRUCTION TYPE: ALUMINUM COLOR FINISH: MILL ALUMINUM

**ENCLOSURE
PURCHASED PARTS LIST**

ITEM	MANUFACTURER	DESCRIPTION
WALL FRAMING	McELROY METAL, Inc.	HORIZONTAL: 8" x 2 1/2" x 16 GA "CEE" GIRT VERTICAL: 8" x 3 1/2" x 16 GA "CEE" GIRT G90 GALVANIZED FINISH
WALL SIDING (UPPER PANELS)	PETERSEN ALUMINUM CO.	"PAC-CLAD" FLUSH WALL PANEL (VERTICAL) 24 GA STEEL COLOR: SANDSTONE 
CORNER TRIM • VERTICAL	PETERSEN ALUMINUM CO.	24 GA. STEEL COLOR: SANDSTONE
WALL SIDING (LOWER PANELS)	PETERSEN ALUMINUM CO.	PAC-CLAD HWP (HORIZONTAL) 22 GA x 12" PANEL COLOR: SLATE GRAY 
CORNER TRIM • VERTICAL	PETERSEN ALUMINUM CO.	24 GA. STEEL COLOR: SLATE GRAY
UNDERSIDE CEILING (EXTERIOR)	PETERSEN ALUMINUM CO.	"PAC-CLAD" FLUSH WALL PANEL (VERTICAL) 24 GA STEEL COLOR: SANDSTONE 
WALK THRU DOORS (EXTERIOR)	(PROVIDED BY OTHERS)	
ROLL-UP OVERHEADS DOOR (EXTERIOR)	(PROVIDED BY OTHERS)	
ROLL-UP DOOR TRIM	PETERSEN ALUMINUM CO.	24 GA. STEEL COLOR: SLATE GRAY
UNDERSIDE CEILING (INTERIOR)	PETERSEN ALUMINUM CO.	PAC-CLAD M-36 (HORIZONTAL) 24 GA x 38" PANEL (COVERS 36") COLOR: BONE WHITE 

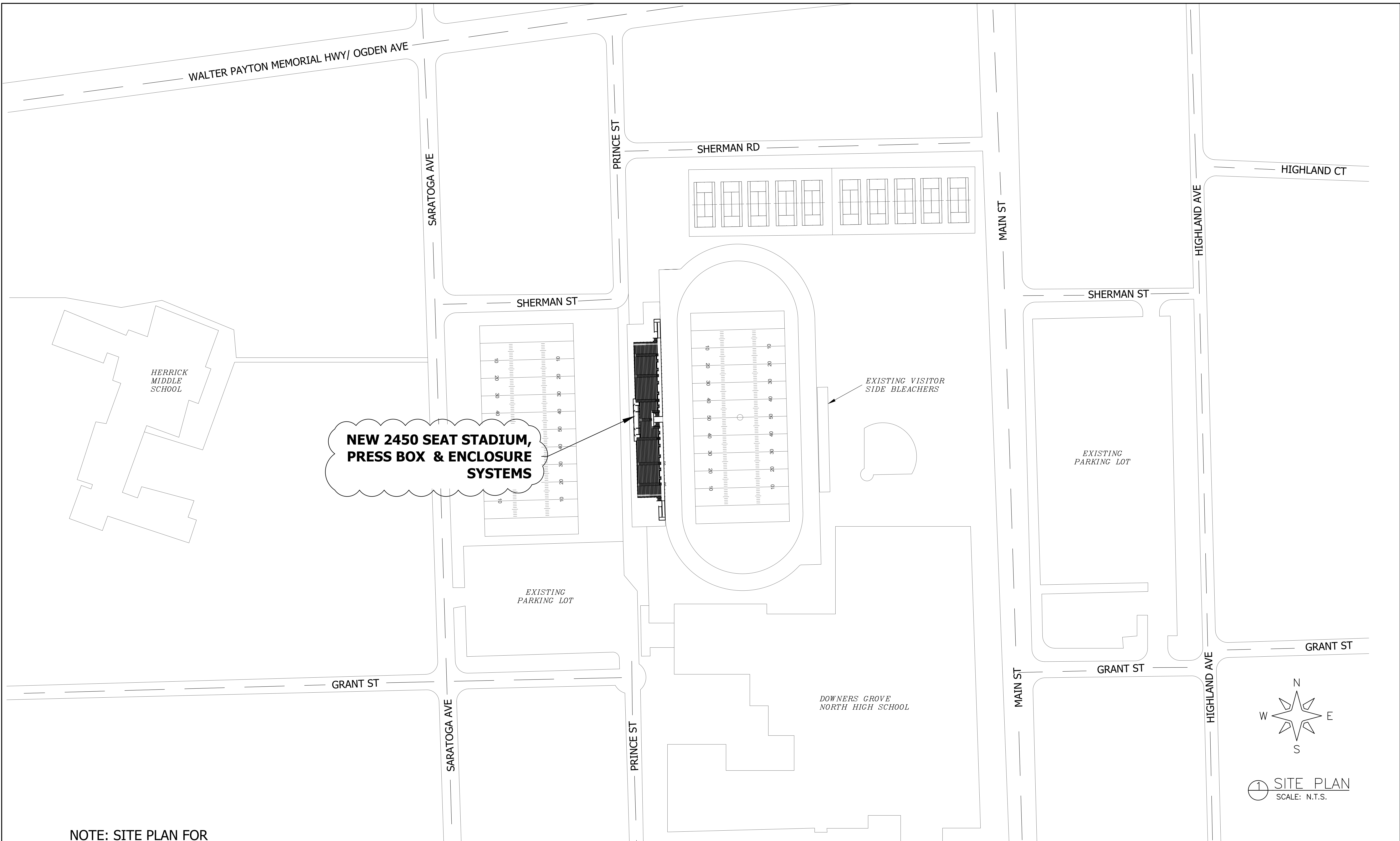
REV	DATE	DESCRIPTION	REV BY:
0	09-19-19	SUBMITTED FOR A/E REVIEW	ALR

JW INDUSTRIES INC.

5662 Glendale Ave.
Green Bay, WI 54313
(920) 865-7307 Fax (920) 865-7777
jwoffice@jwindustriesinc.com

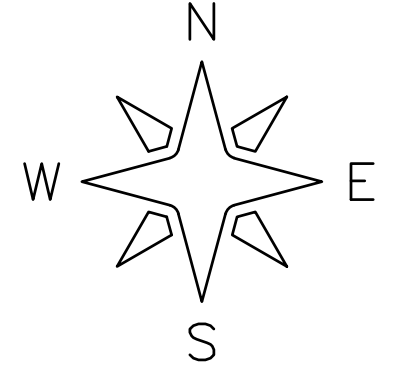
"We provide everything except the spectators."

PROJECT:	STADIUM, PRESS BOX, & ENCLOSURE SYSTEMS
CLIENT:	DOWNERS GROVE NORTH COMMUNITY HIGH SCHOOL
DESIGN FIRM:	COMMUNITY HIGH SCHOOL DISTRICT 99
ARCHITECT:	RICE ENGINEERING, INC.
	WIGHT & COMPANY
JOB#: 19332	DATE: 09-19-19 DRAWN BY: ALR/REI SHEET NUMBER: 3 OF 46



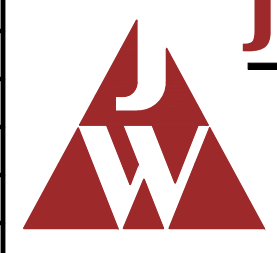
**NEW 2450 SEAT STADIUM,
PRESS BOX & ENCLOSURE
SYSTEMS**

NOTE: SITE PLAN FOR
LOCATION REFERENCE ONLY



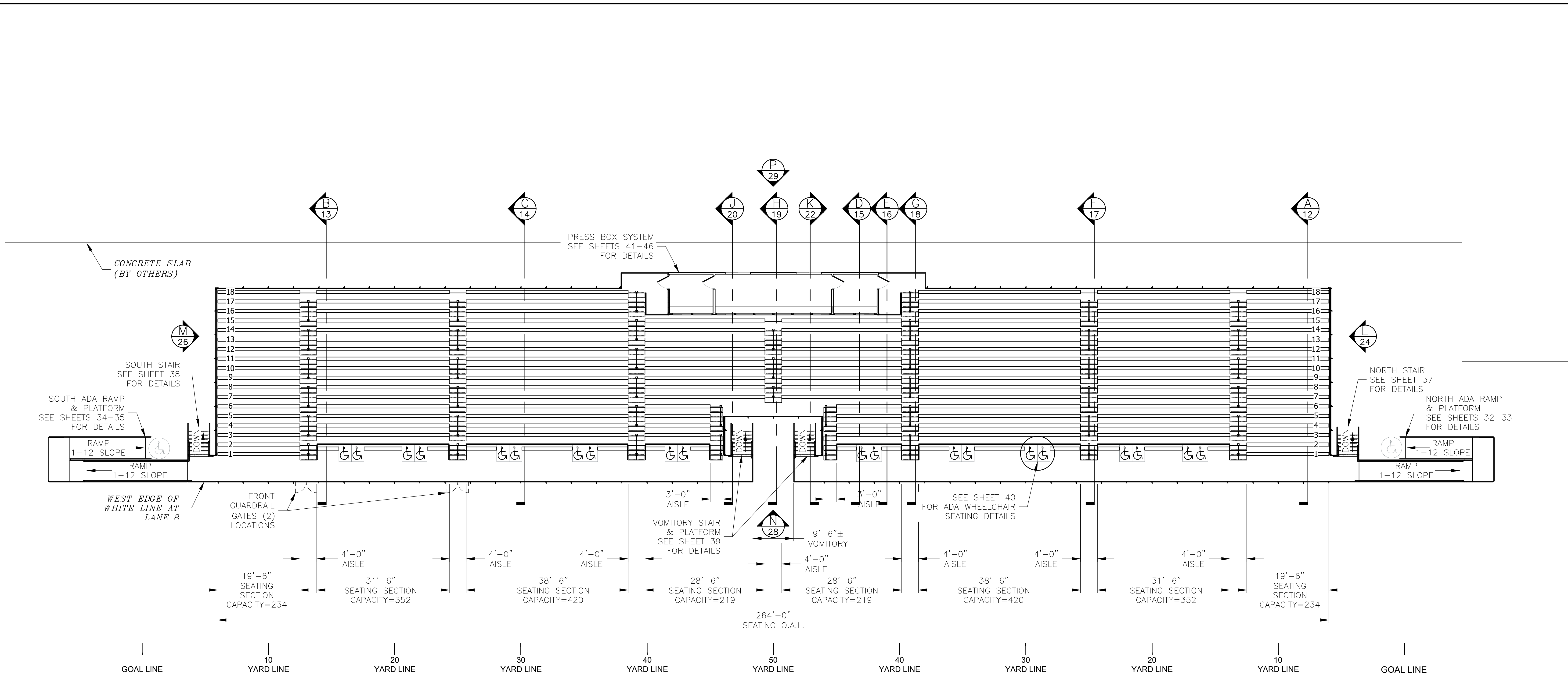
1 SITE PLAN
SCALE: N.T.S.

REV	DATE	DESCRIPTION	REV BY:
0	09-19-19	SUBMITTED FOR A/E REVIEW	ALR

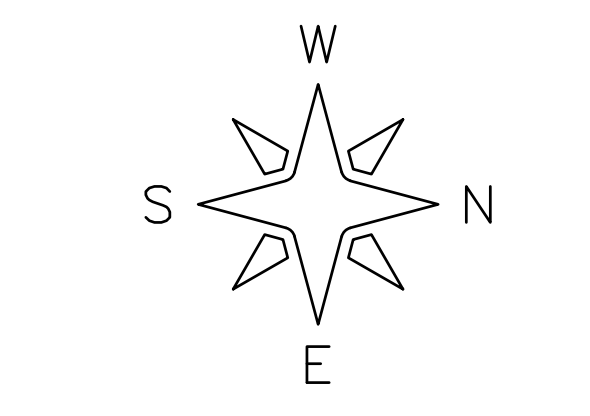


JW INDUSTRIES INC.
5662 Glendale Ave.
Green Bay, WI 54313
(920) 865-7307 Fax (920) 865-7777
jwoffice@jwindustriesinc.com
"We provide everything except the spectators."

PROJECT:	STADIUM, PRESS BOX, & ENCLOSURE SYSTEMS
CLIENT:	DOWNERS GROVE NORTH COMMUNITY HIGH SCHOOL
DESIGN FIRM:	COMMUNITY HIGH SCHOOL DISTRICT 99
ARCHITECT:	RICE ENGINEERING, INC.
	WIGHT & COMPANY
JOB#: 19332	DATE: 09-19-19 DRAWN BY: ALR/REI SHEET NUMBER: 4 OF 46



SEATING CAPACITY: 2410 BENCH SEATS (BASED ON 18" SEAT WIDTH)
 20 WHEELCHAIRS (BASED ON 36" WIDTH)
 20 COMPANION SEATS (REQUIRED FOR WHEELCHAIR SEATING)
 2450 TOTAL SPECTATORS

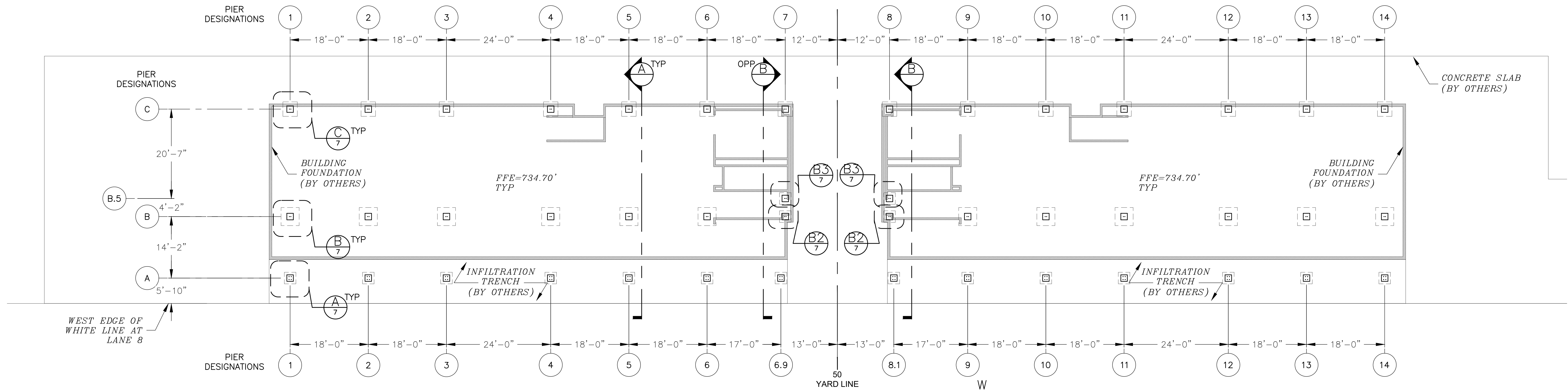


① PLAN VIEW
 SCALE: 3/32" = 1'-0"

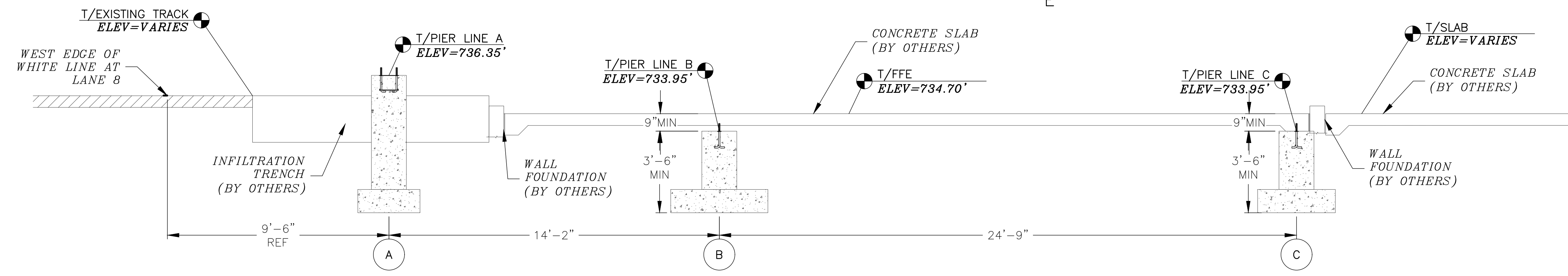
REV	DATE	DESCRIPTION	REV BY:
0	09-19-19	SUBMITTED FOR A/E REVIEW	ALR

JW INDUSTRIES INC.
 5662 Glendale Ave.
 Green Bay, WI 54313
 (920) 865-7307 Fax (920) 865-7777
 jwoffice@jwindustriesinc.com
 "We provide everything except the spectators."

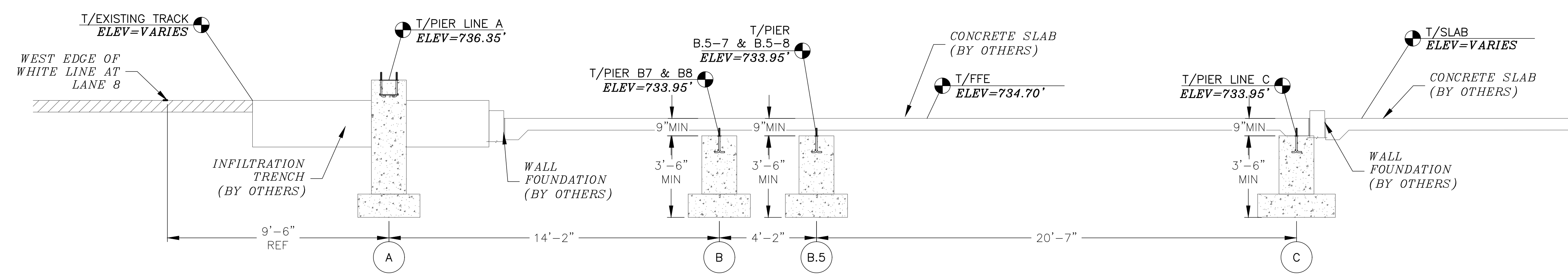
PROJECT:	STADIUM, PRESS BOX, & ENCLOSURE SYSTEMS
CLIENT:	DOWNERS GROVE NORTH COMMUNITY HIGH SCHOOL
DESIGN FIRM:	COMMUNITY HIGH SCHOOL DISTRICT 99
ARCHITECT:	RICE ENGINEERING, INC.
JOB#:	WIGHT & COMPANY
DATE:	19332
DRAWN BY:	09-19-19 ALR/REI
SHEET NUMBER:	5 OF 46



① FOUNDATION PLAN
SCALE: 3/32" = 1'-0"



② FOUNDATION SECTION TYP
SCALE: 3/8" = 1'-0"



③ FOUNDATION SECTION AT B.5 PIERS
SCALE: 3/8" = 1'-0"

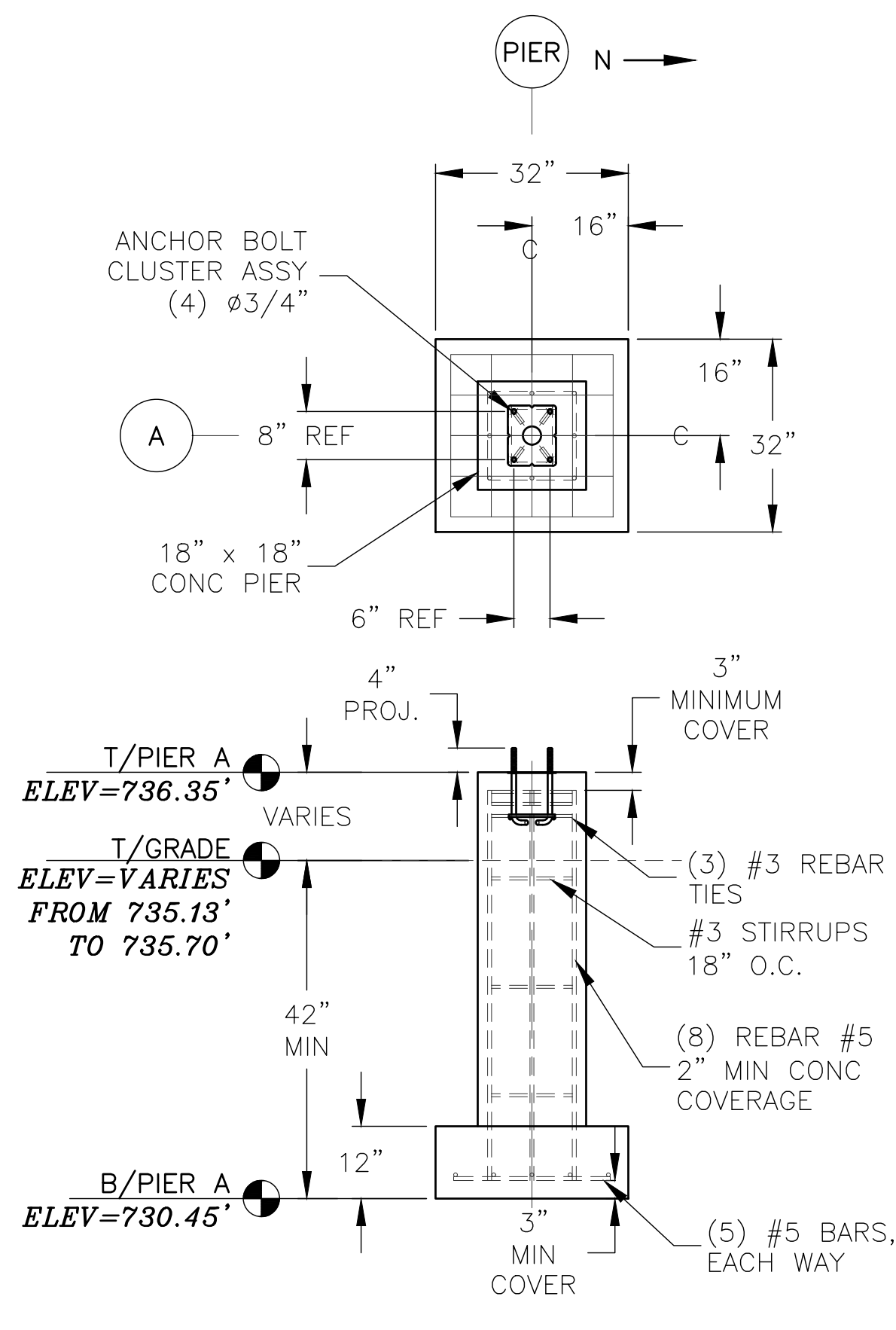
REV	DATE	DESCRIPTION	REV BY:
0	09-19-19	SUBMITTED FOR A/E REVIEW	ALR

JW INDUSTRIES INC.

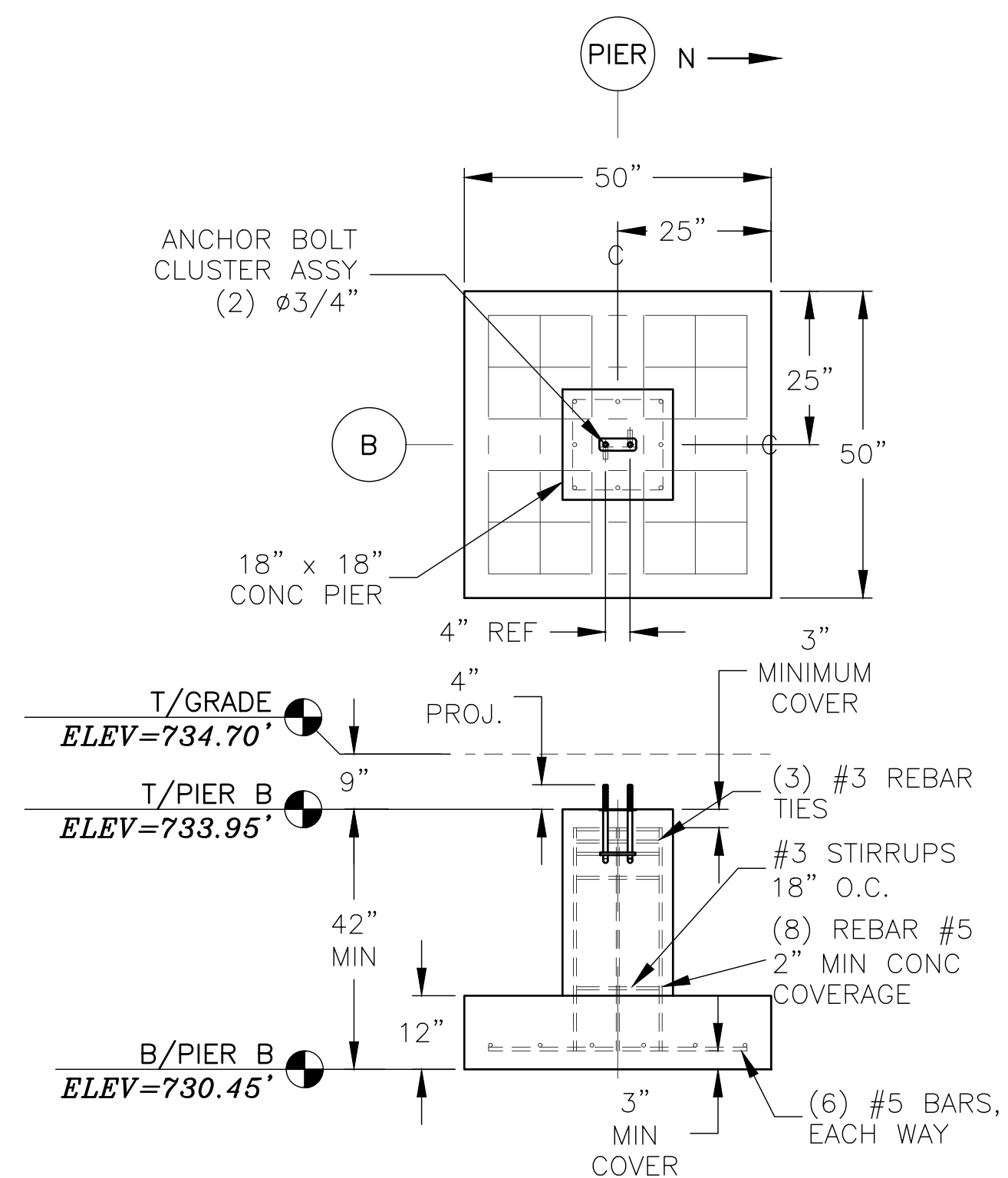
5662 Glendale Ave.
Green Bay, WI 54313
(920) 865-7307 Fax (920) 865-7777
jwoffice@jwindustriesinc.com

"We provide everything except the spectators."

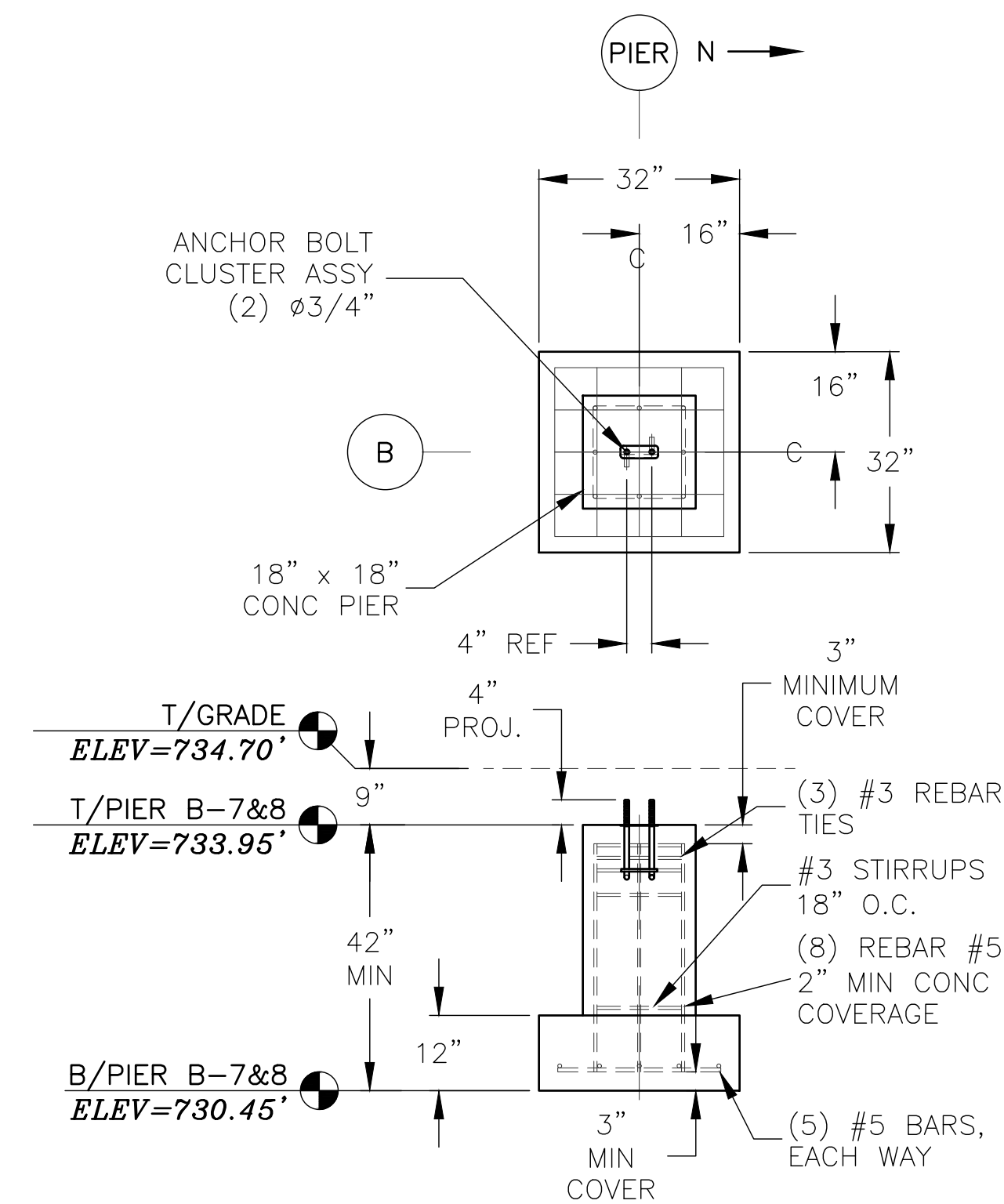
PROJECT:	STADIUM, PRESS BOX, & ENCLOSURE SYSTEMS
CLIENT:	DOWNERS GROVE NORTH COMMUNITY HIGH SCHOOL
DESIGN FIRM:	COMMUNITY HIGH SCHOOL DISTRICT 99
ARCHITECT:	RICE ENGINEERING, INC.
JOB#:	WIGHT & COMPANY
DATE:	19332
DRAWN BY:	09-19-19 ALR/REI
SHEET NUMBER:	6 OF 46



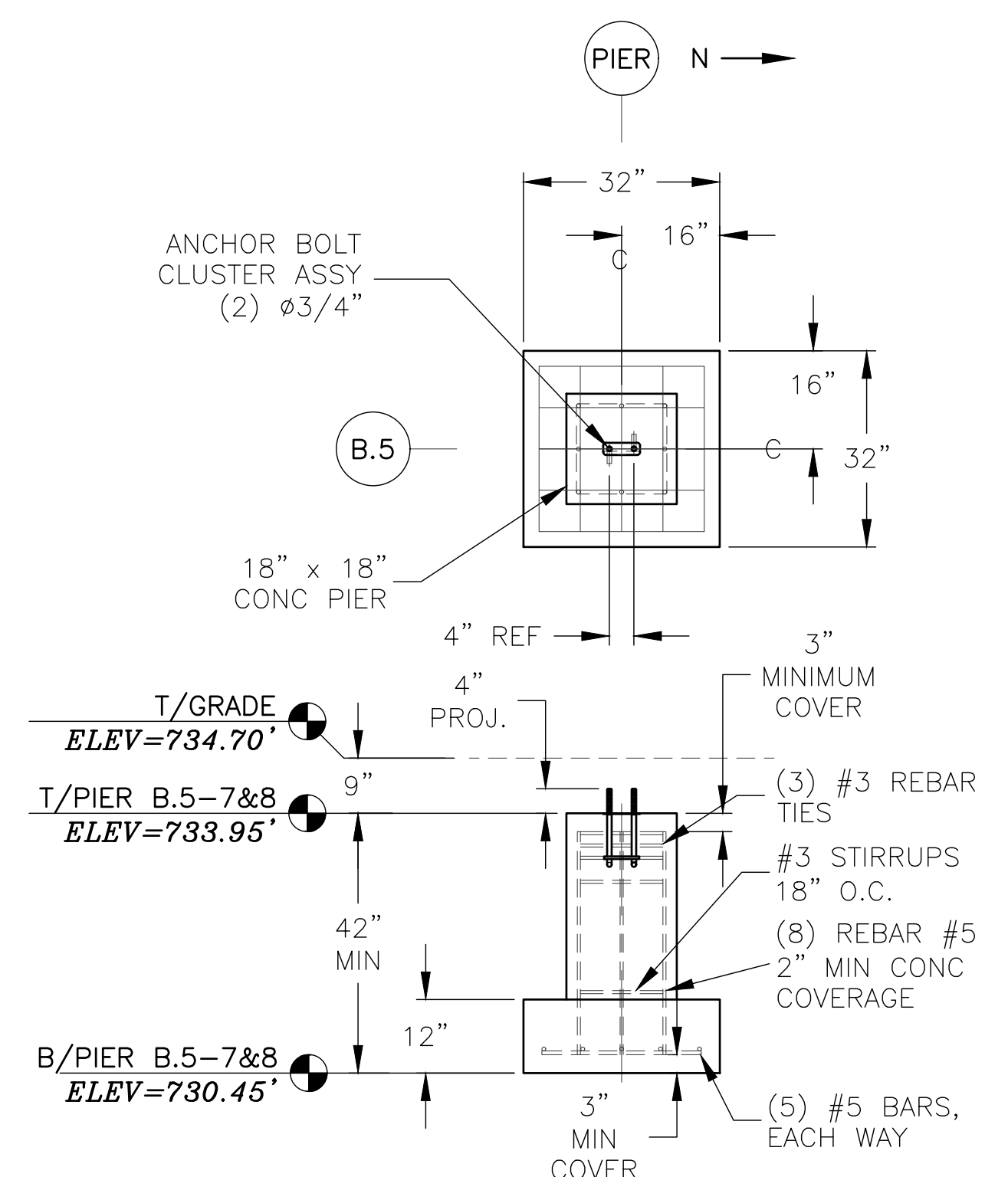
A GRID LINE A TYP
(14) REQUIRED



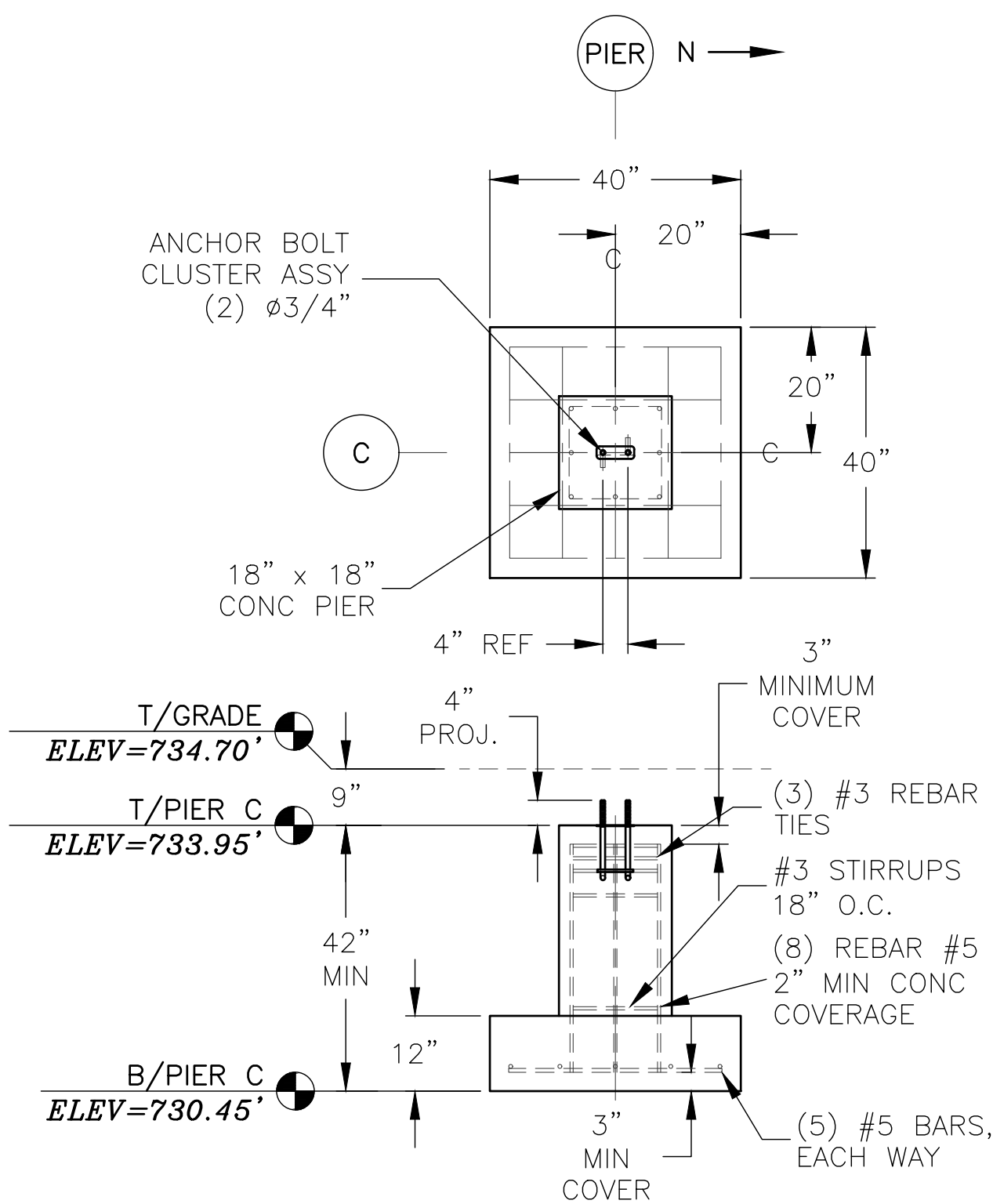
B GRID LINE B TYP
(12) REQUIRED



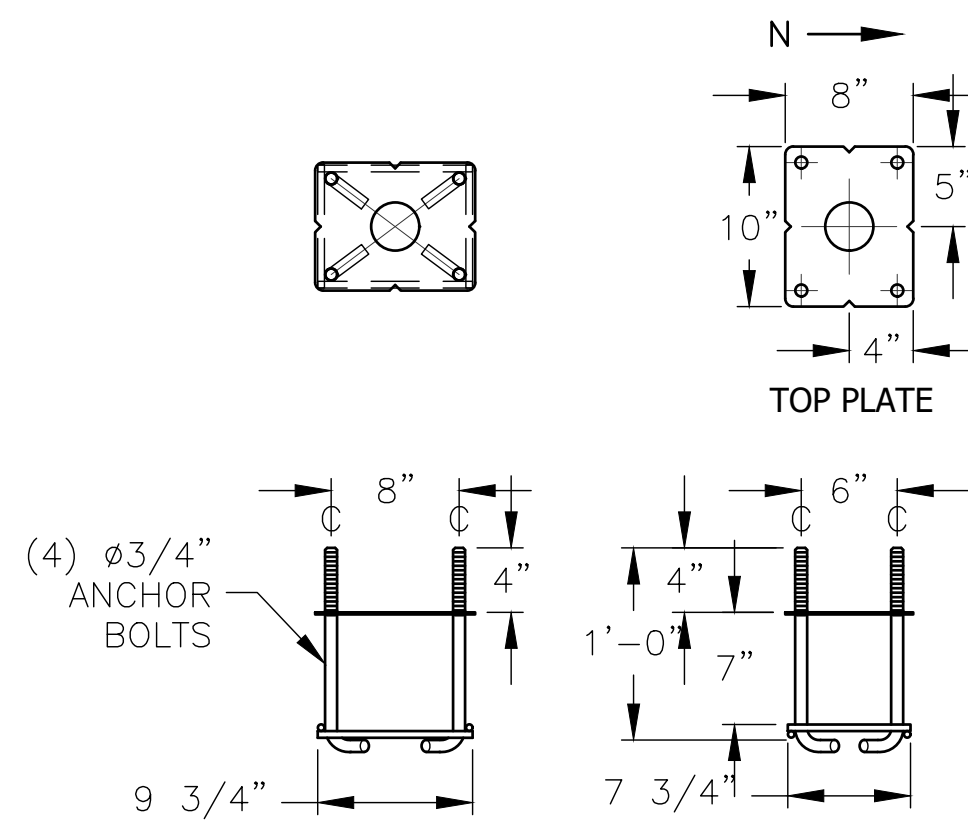
B7 GRID LINE B-7 & B-8
(2) REQUIRED



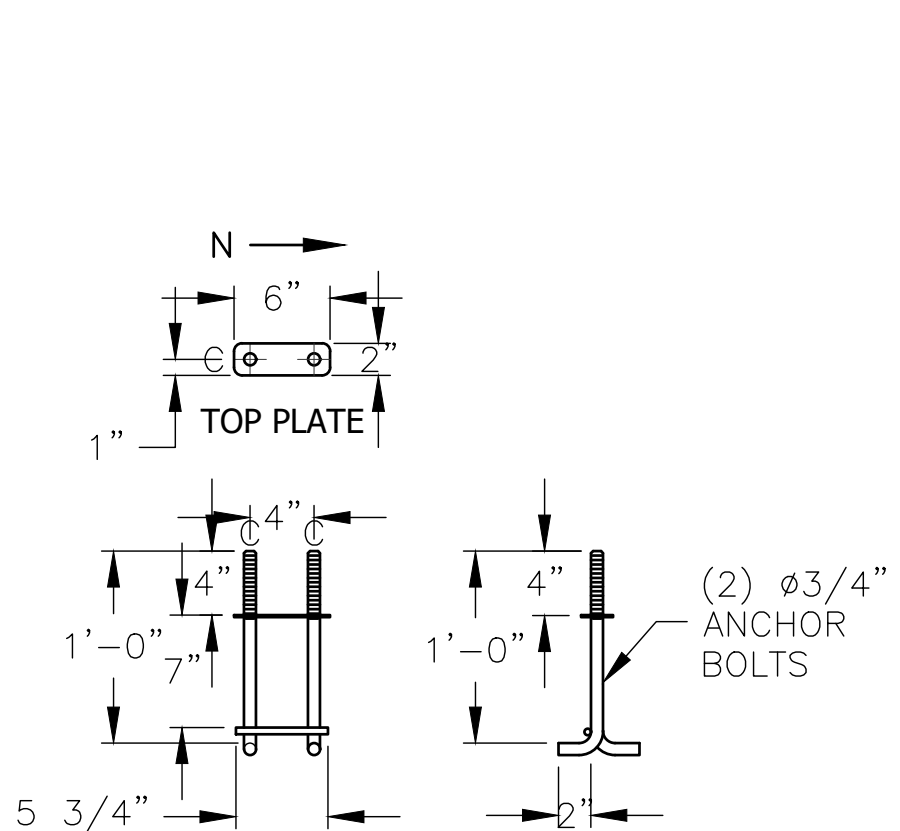
B3 GRID LINE B.5-7 & B.5-8
(2) REQUIRED



C GRID LINE C TYP
(14) REQUIRED



1 ANCHOR BOLT CLUSTER BY JW I
(14) REQUIRED @ G/L A

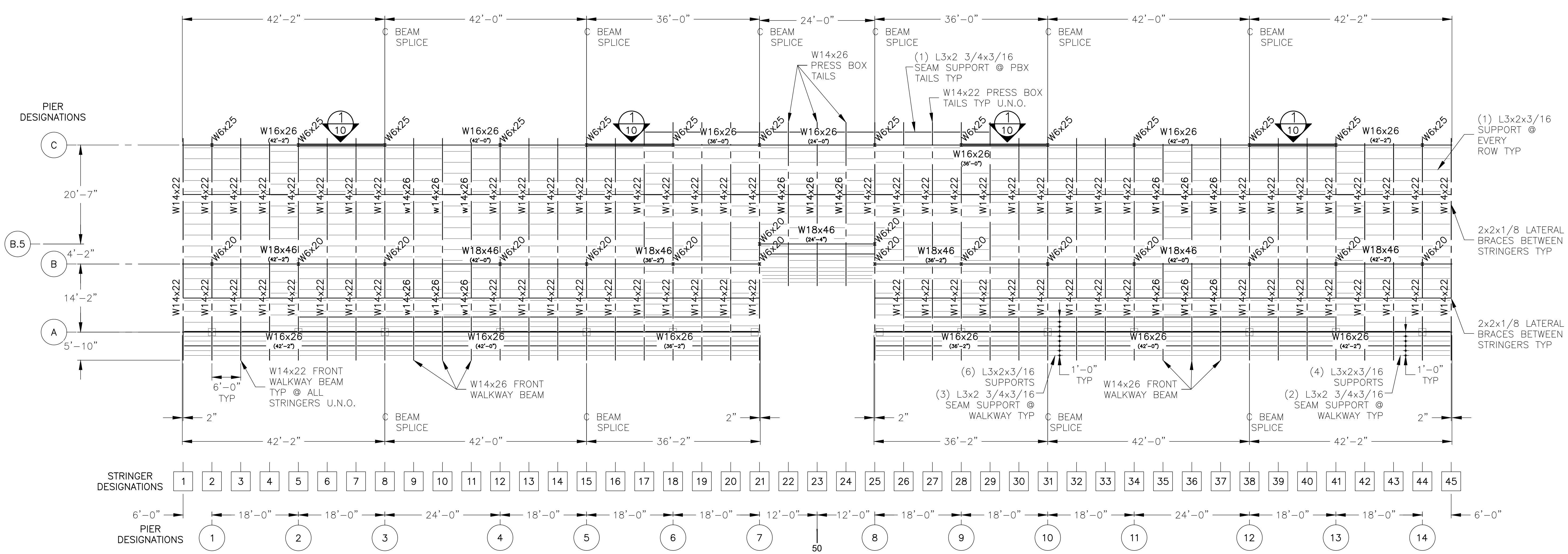


2 ANCHOR BOLT CLUSTER BY JW I
(30) REQUIRED @ G/L B, B.5, & C

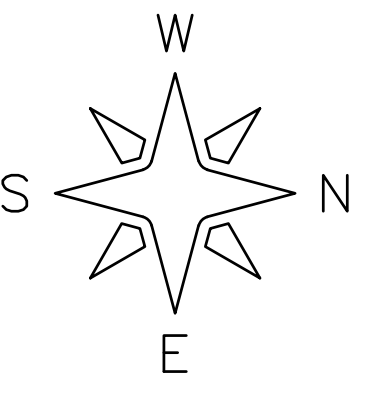
REV	DATE	DESCRIPTION	REV BY:
0	09-19-19	SUBMITTED FOR A/E REVIEW	ALR

JW INDUSTRIES INC.
 5662 Glendale Ave.
 Green Bay, WI 54313
 (920) 865-7307 Fax (920) 865-7777
 jwoffice@jwindustriesinc.com
"We provide everything except the spectators."

PROJECT:	STADIUM, PRESS BOX, & ENCLOSURE SYSTEMS
CLIENT:	DOWNERS GROVE NORTH COMMUNITY HIGH SCHOOL
DESIGN FIRM:	COMMUNITY HIGH SCHOOL DISTRICT 99
ARCHITECT:	RICE ENGINEERING, INC.
JOB#:	WIGHT & COMPANY
DATE:	19332
DRAWN BY:	09-19-19 ALR/REI
SHEET NUMBER:	7 OF 46



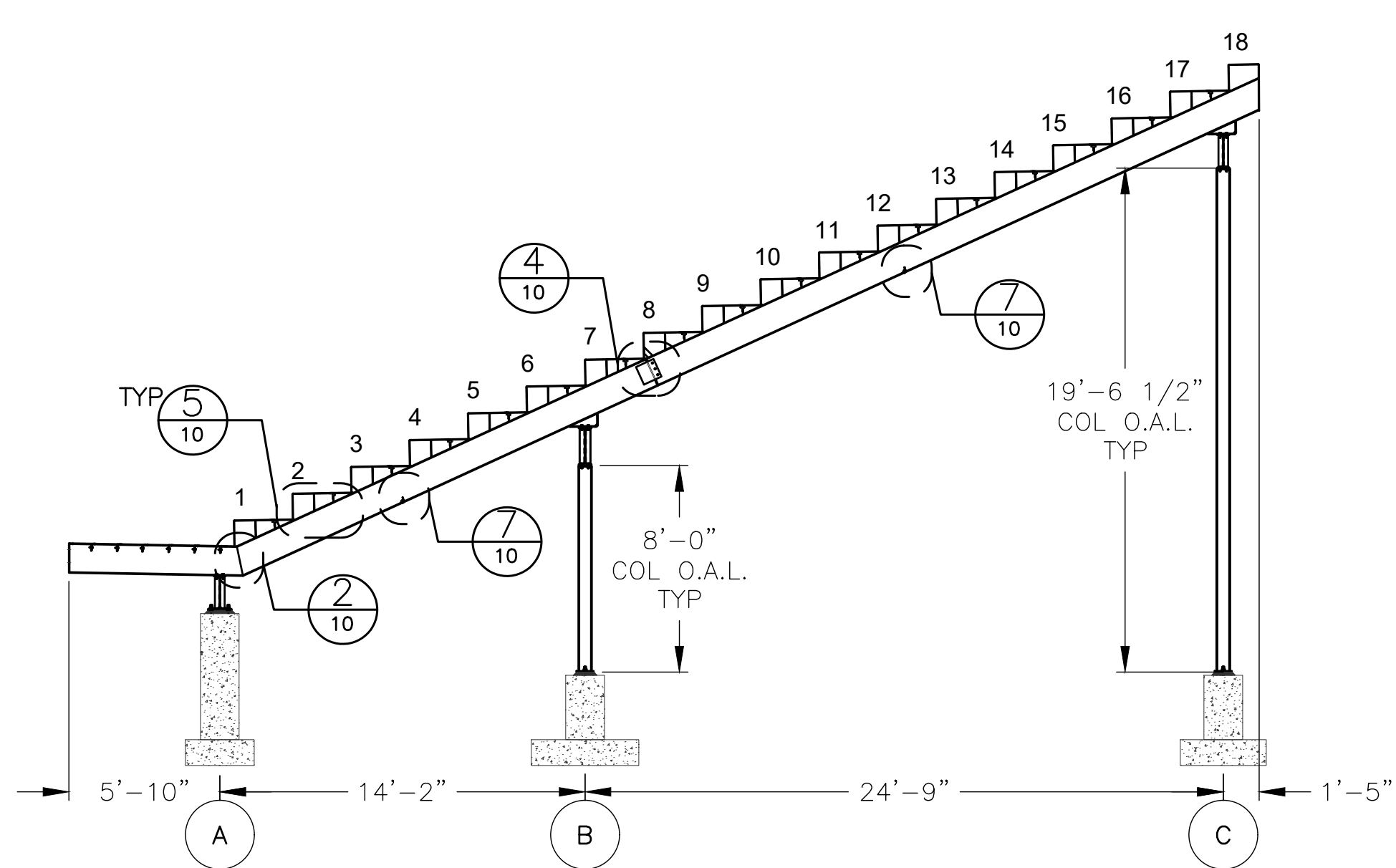
1 STRUCTURAL PLAN
SCALE: 3/32" = 1'-0"



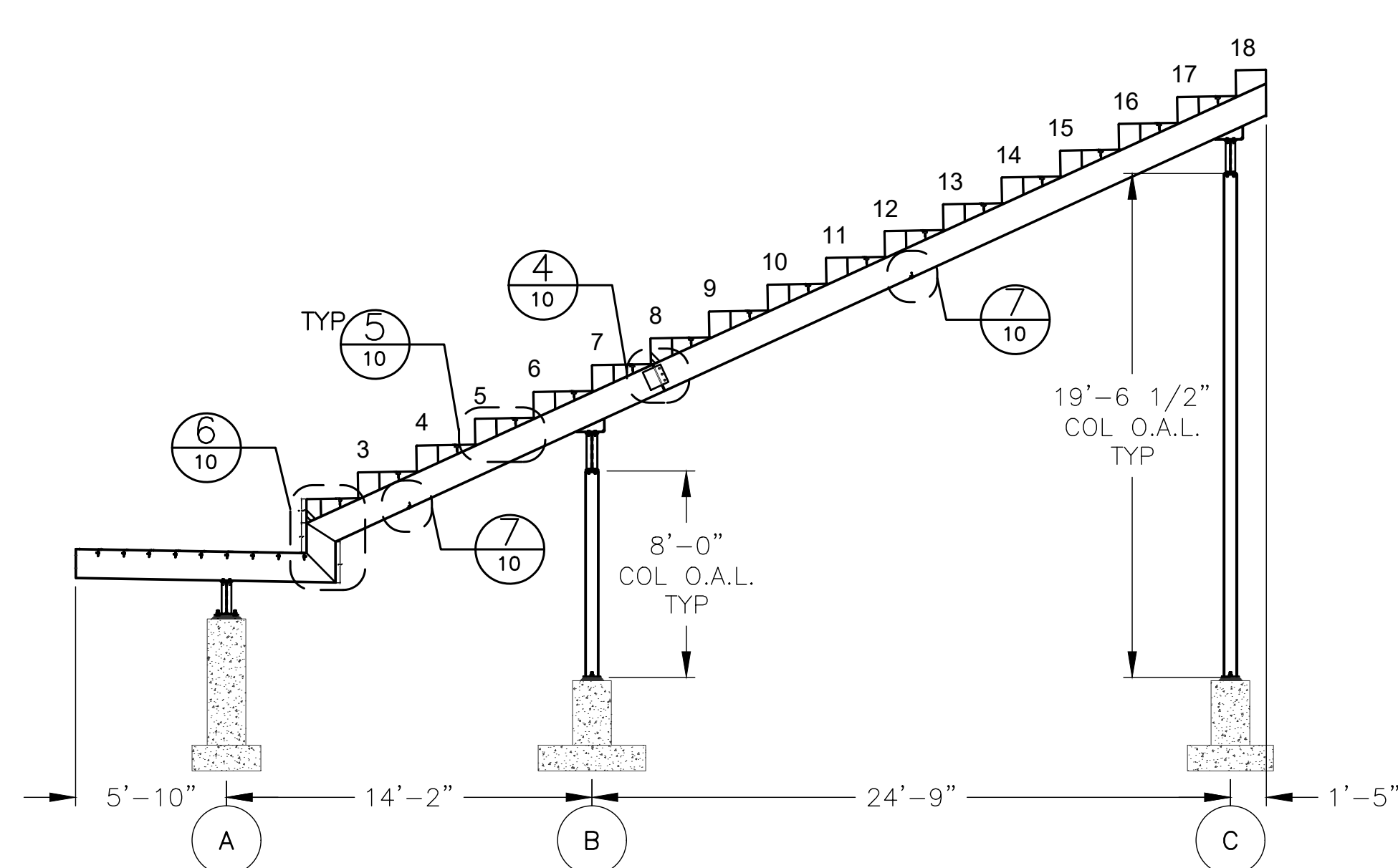
REV	DATE	DESCRIPTION	REV BY:
0	09-19-19	SUBMITTED FOR A/E REVIEW	ALR

JW INDUSTRIES INC.
 5662 Glendale Ave.
 Green Bay, WI 54313
 (920) 865-7307 Fax (920) 865-7777
 jwoffice@jwindustriesinc.com
 "We provide everything except the spectators."

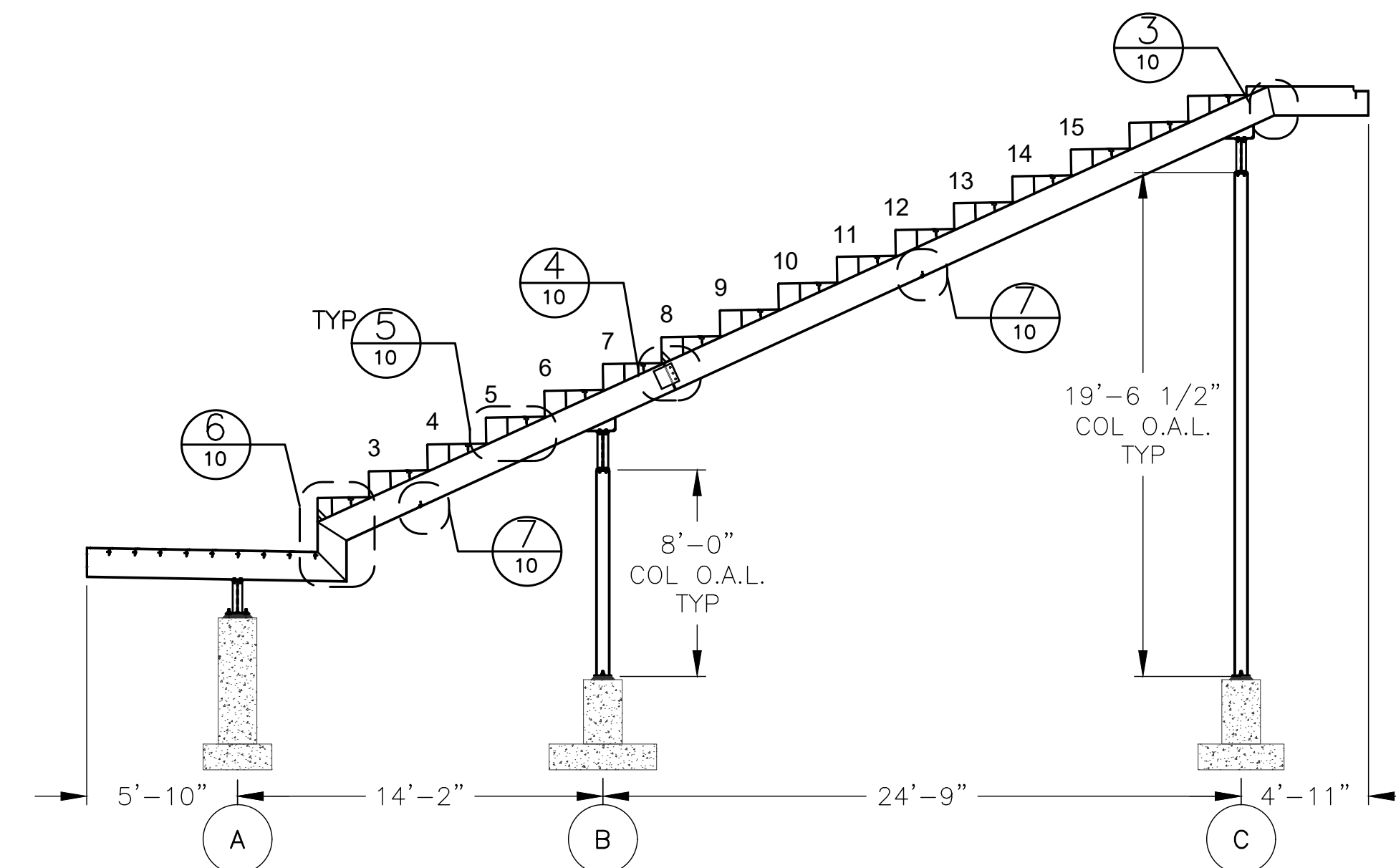
PROJECT:	STADIUM, PRESS BOX, & ENCLOSURE SYSTEMS
CLIENT:	DOWNERS GROVE NORTH COMMUNITY HIGH SCHOOL
DESIGN FIRM:	COMMUNITY HIGH SCHOOL DISTRICT 99
ARCHITECT:	RICE ENGINEERING, INC.
	WIGHT & COMPANY
JOB#: 19332	DATE: 09-19-19 DRAWN BY: ALR/REI SHEET NUMBER: 8 OF 46



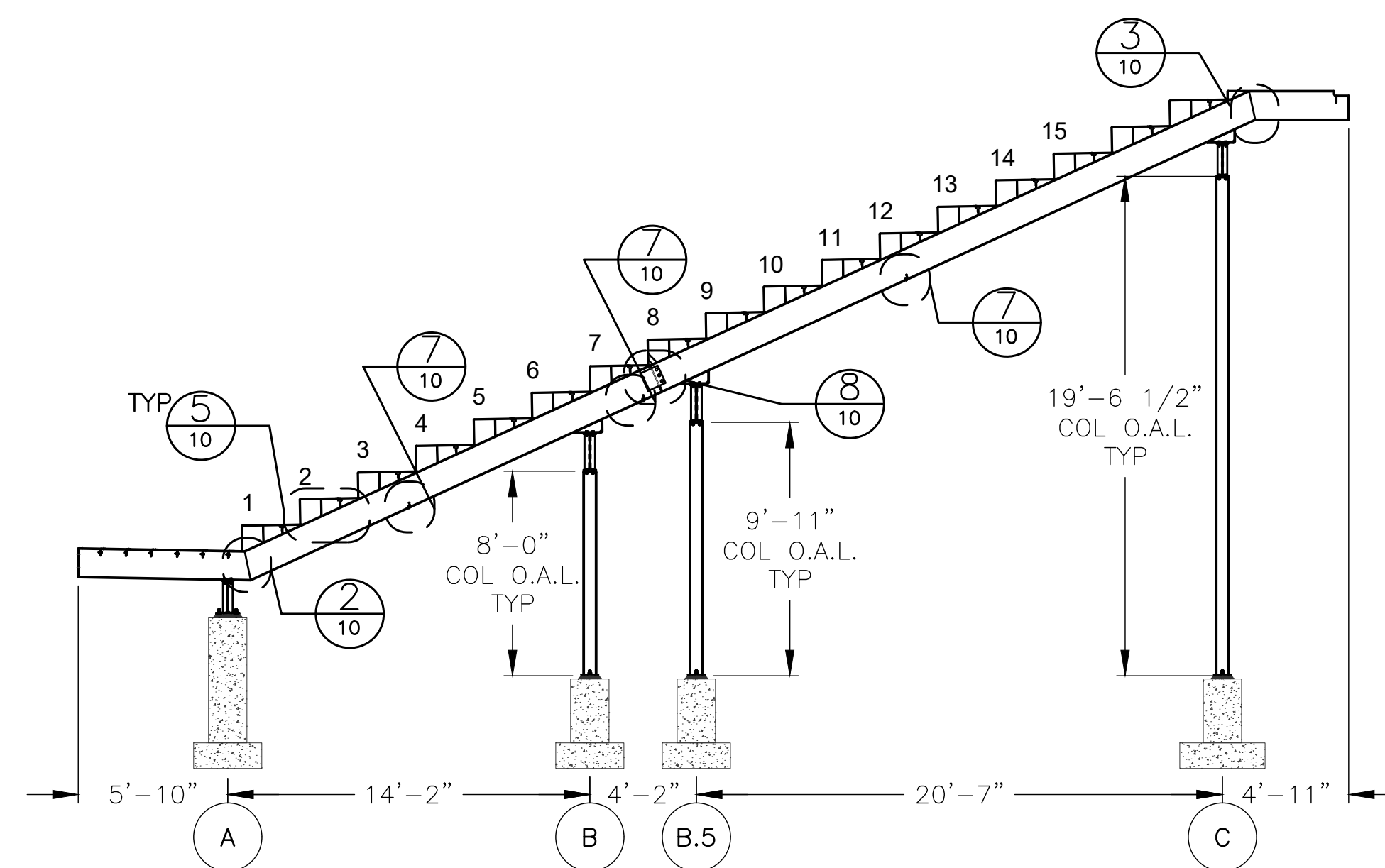
A STRINGER - STANDARD
 SCALE: 3/16" = 1'-0"
 (STRINGER #: 1-4 & 42-45)



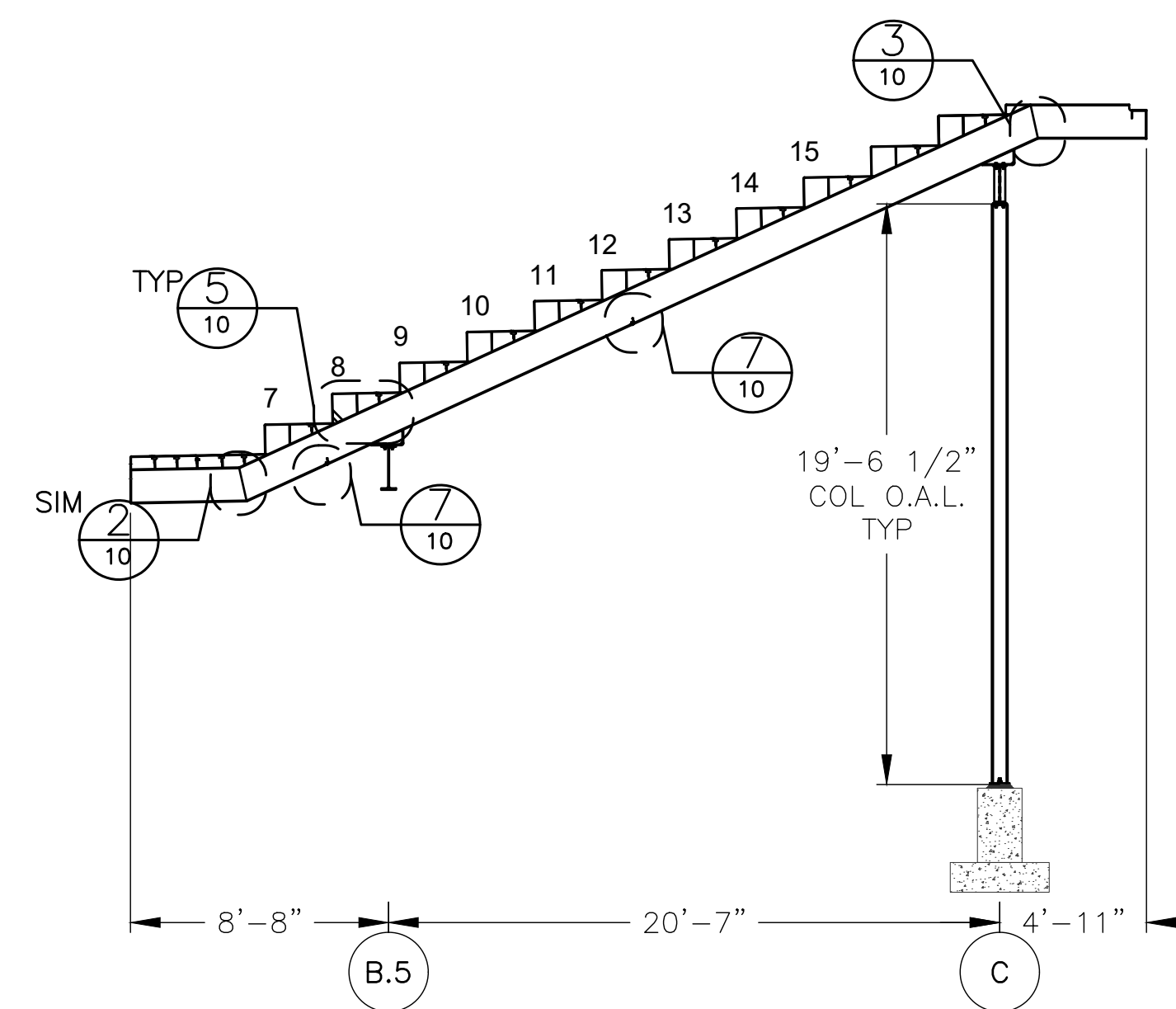
B STRINGER - INSET ROW 1-2
 SCALE: 3/16" = 1'-0"
 (STRINGER #: 5-16 & 30-41)



C STRINGER - PBX INSET ROW 1-2
 SCALE: 3/16" = 1'-0"
 (STRINGER #: 17-20 & 26-29)



D STRINGER - PBX STANDARD
 SCALE: 3/16" = 1'-0"
 (STRINGER #: 21 & 25)

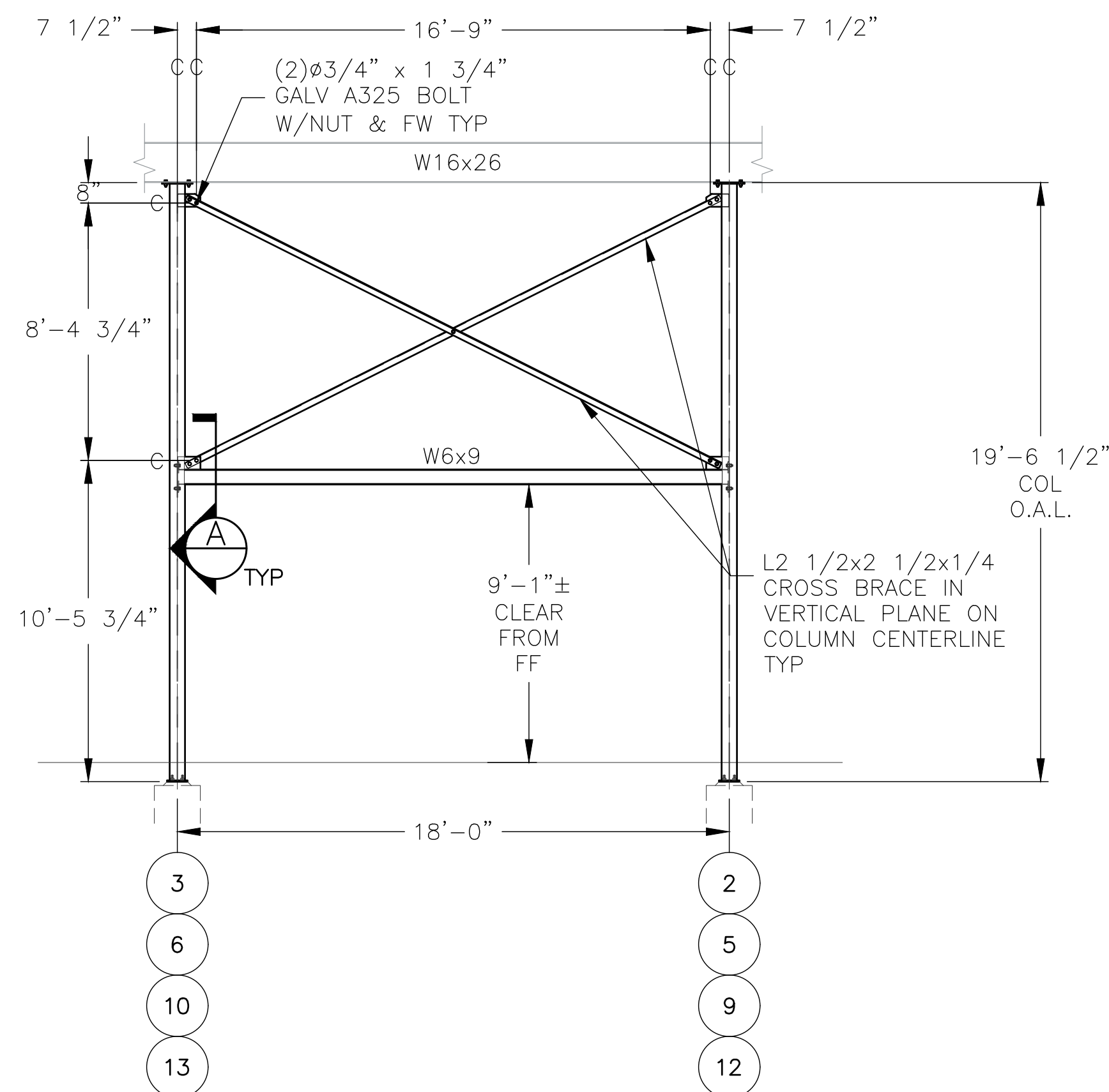


E STRINGER - PBX VOMITORY
 SCALE: 3/16" = 1'-0"
 (STRINGER #: 22-24)

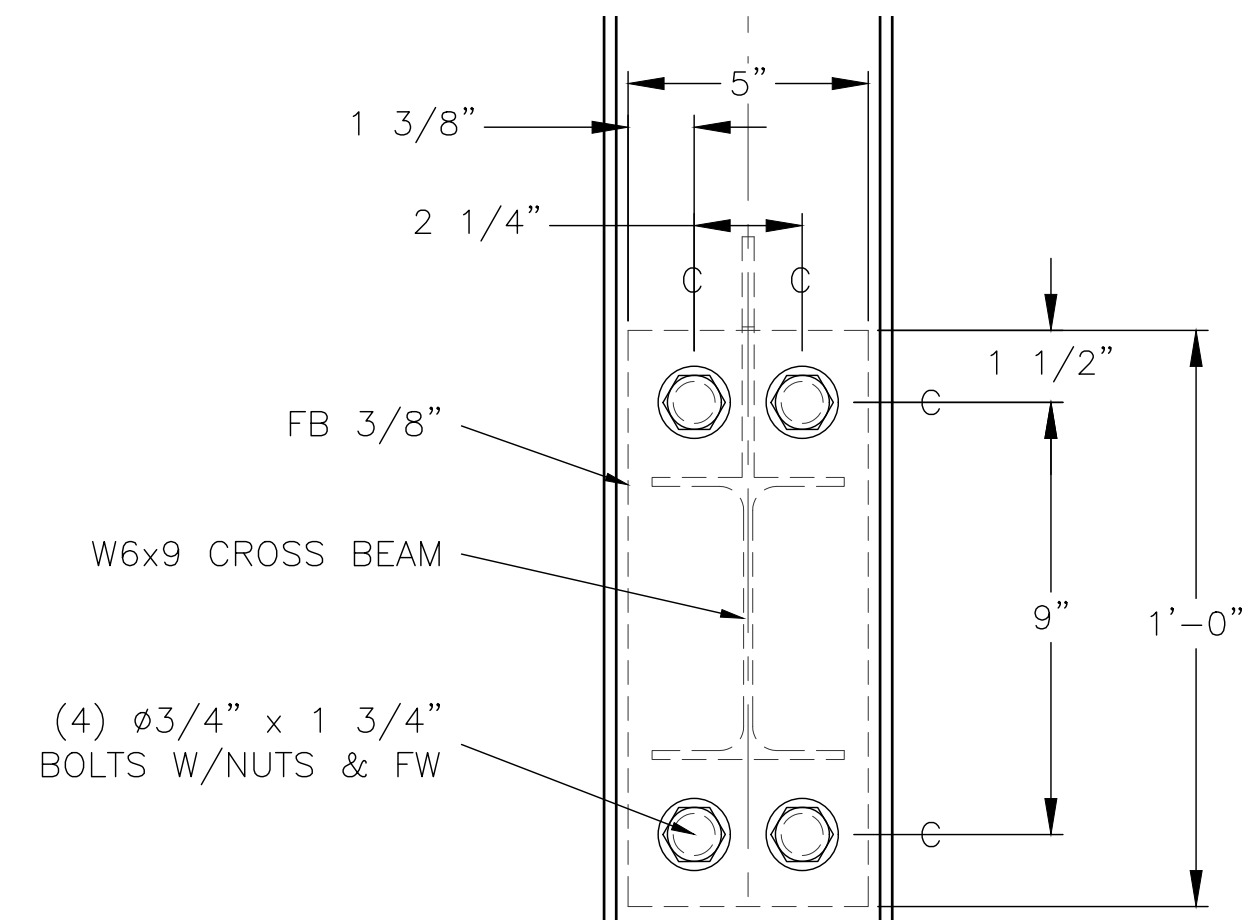
REV	DATE	DESCRIPTION	REV BY:
0	09-19-19	SUBMITTED FOR A/E REVIEW	ALR

JW INDUSTRIES INC.
 5662 Glendale Ave.
 Green Bay, WI 54313
 (920) 865-7307 Fax (920) 865-7777
 jwoffice@jwindustriesinc.com
"We provide everything except the spectators."

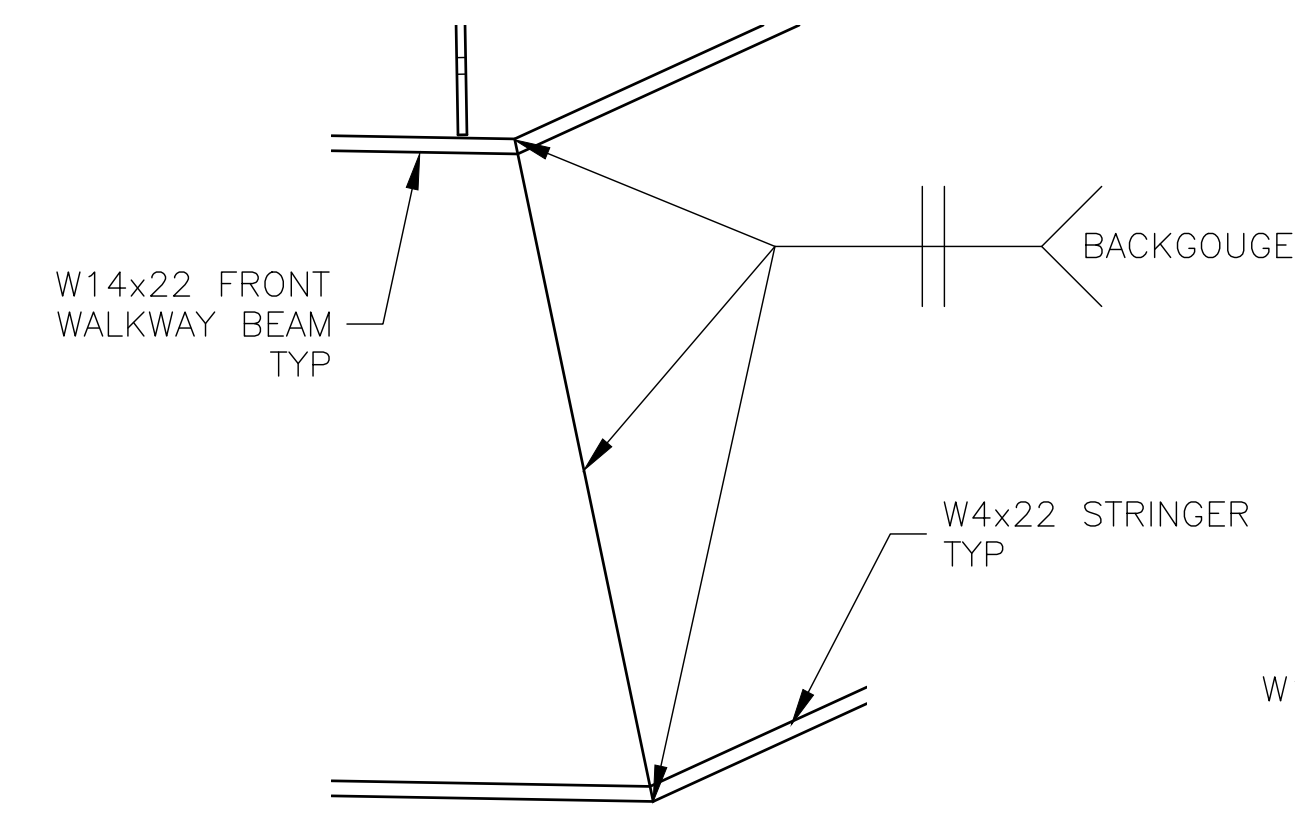
PROJECT:	STADIUM, PRESS BOX, & ENCLOSURE SYSTEMS
CLIENT:	DOWNERS GROVE NORTH COMMUNITY HIGH SCHOOL
DESIGN FIRM:	COMMUNITY HIGH SCHOOL DISTRICT 99
ARCHITECT:	RICE ENGINEERING, INC.
	WIGHT & COMPANY
JOB#: 19332	DATE: 09-19-19 DRAWN BY: ALR/REI SHEET NUMBER: 9 OF 46



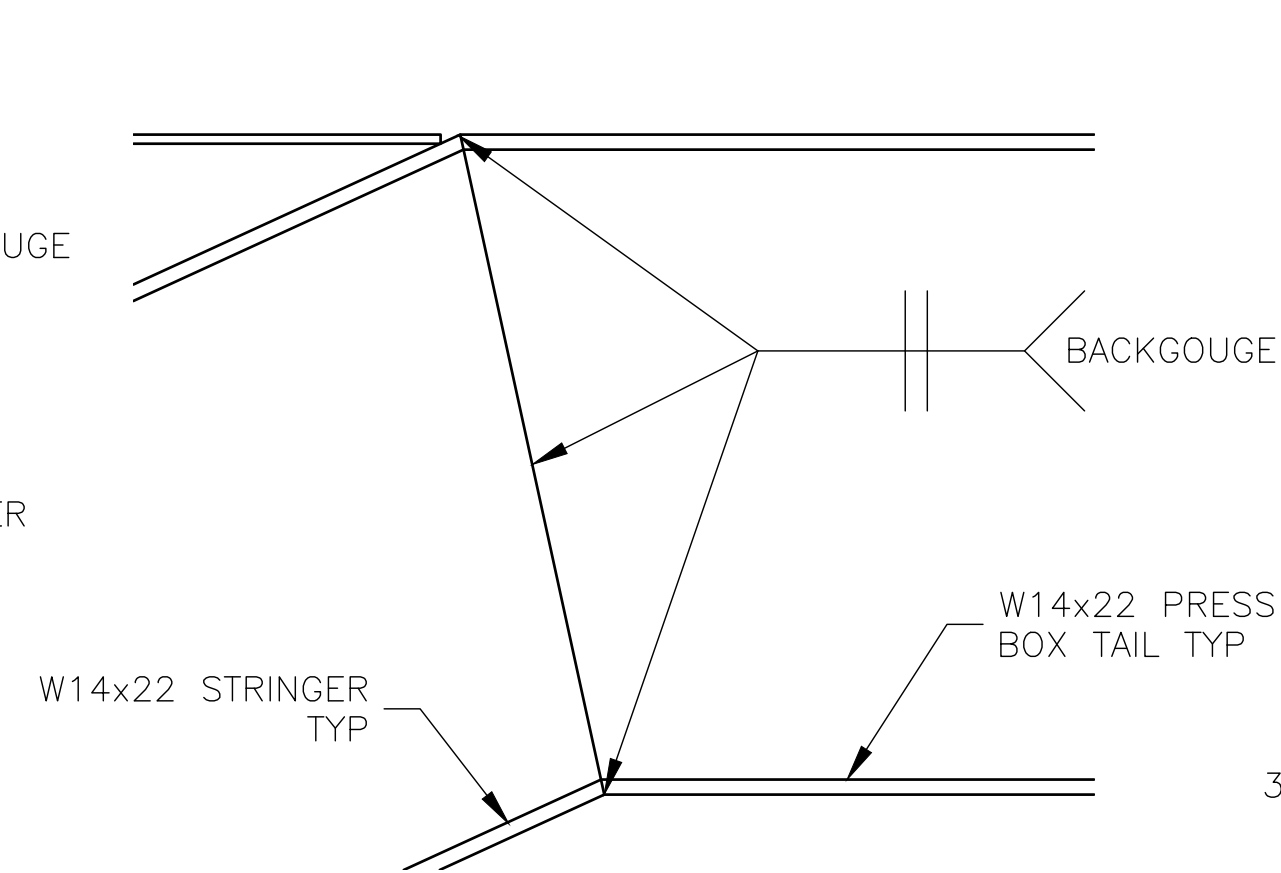
① LONGITUDINAL BRACING - C LINE
SCALE: 1/4" = 1'-0"



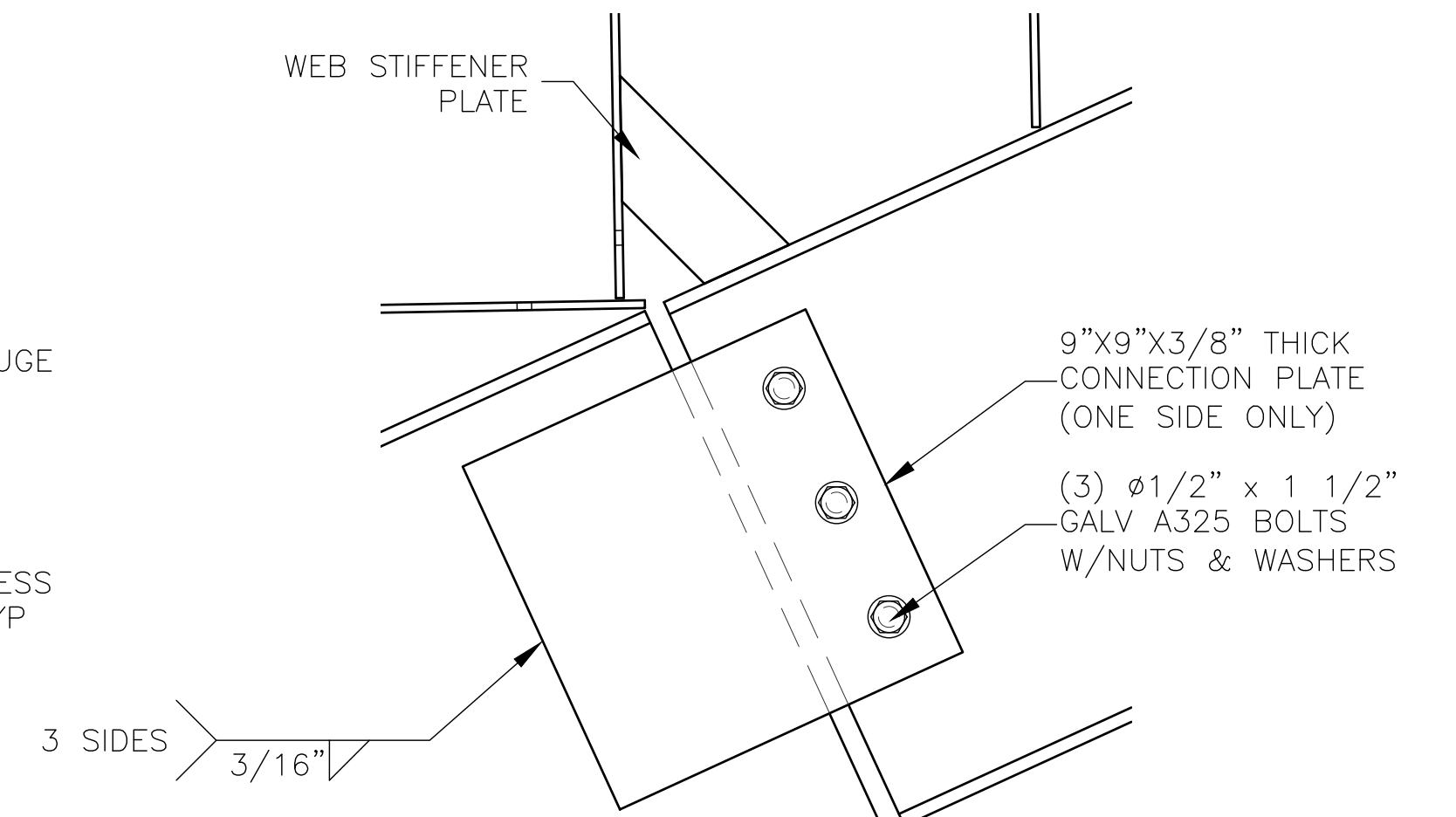
② CROSS BEAM CONNECTION
SCALE: 3" = 1'-0"



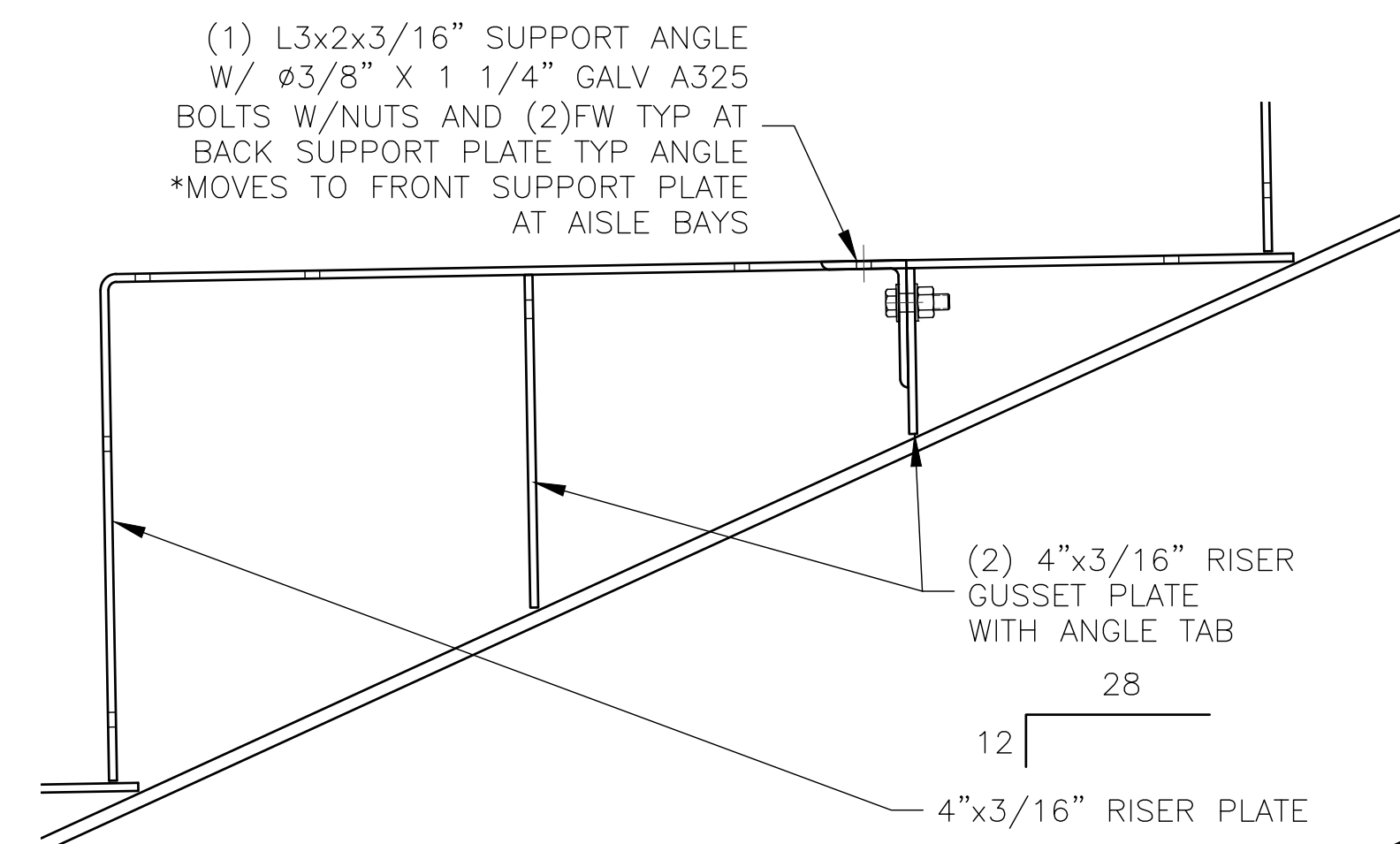
③ HAUNCH DETAIL - BOTTOM
SCALE: 3" = 1'-0"



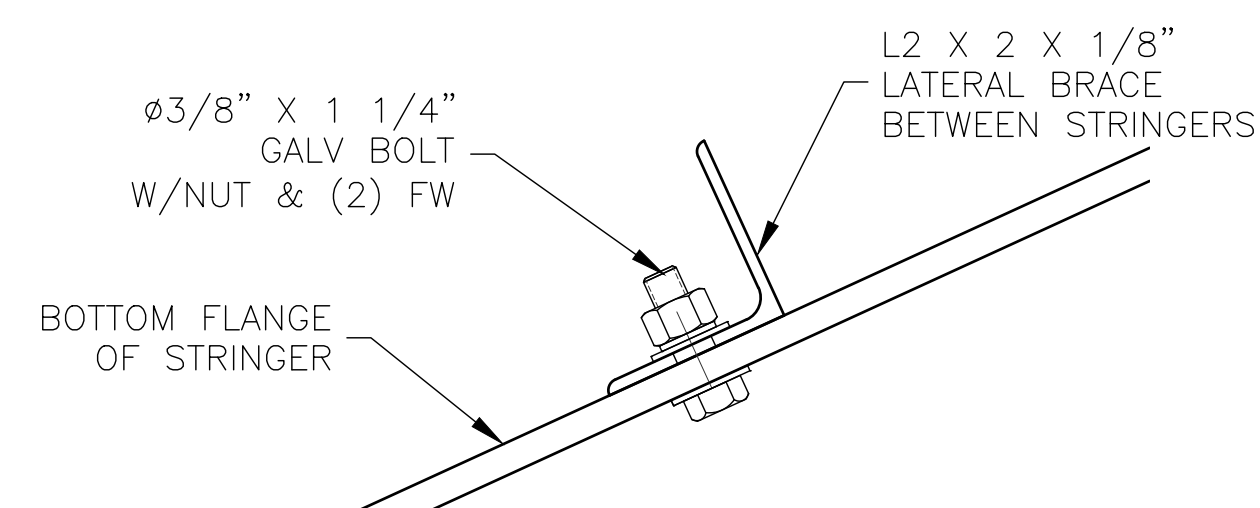
④ HAUNCH DETAIL - TOP
SCALE: 3" = 1'-0"



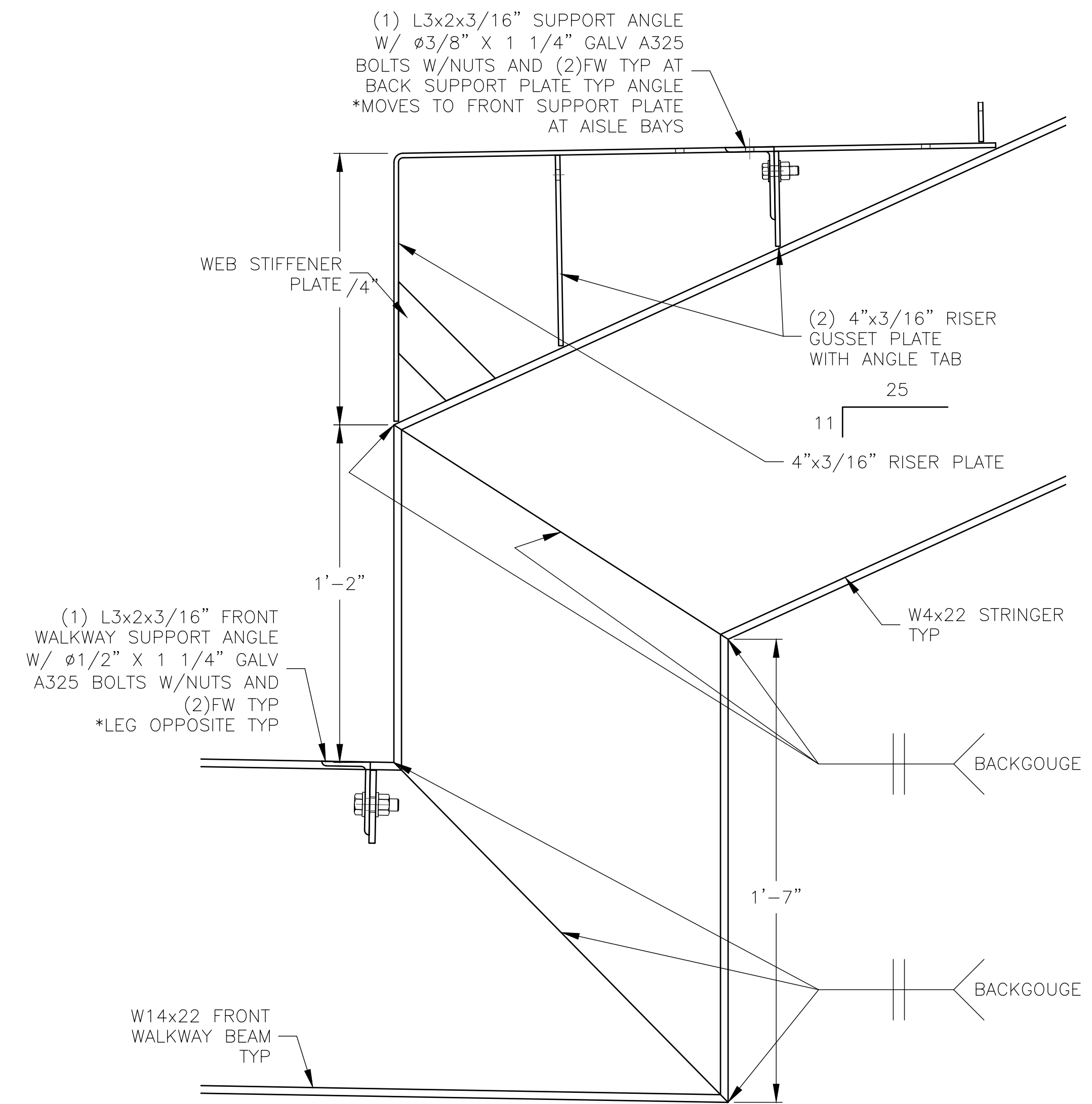
⑤ STRINGER SPLICE
SCALE: 3" = 1'-0"



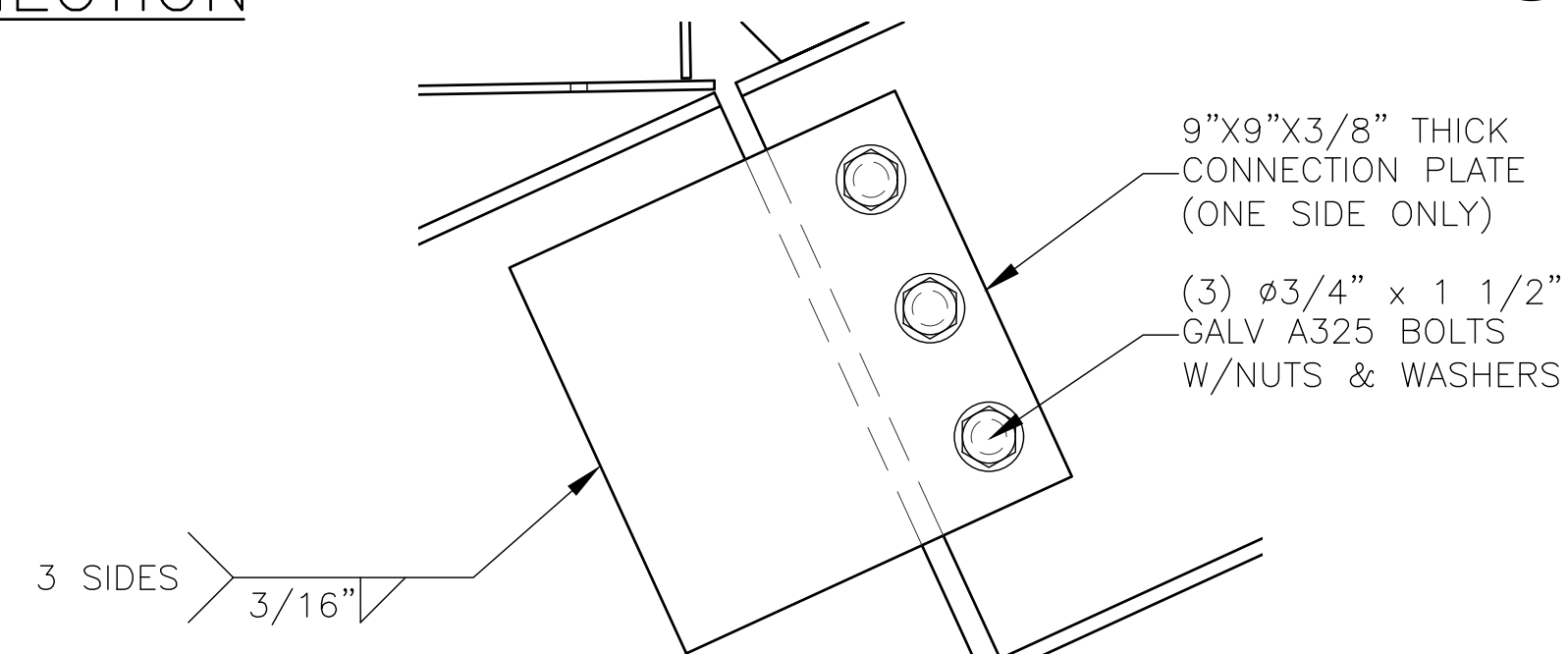
⑥ RISER TYP
SCALE: 3" = 1'-0"



⑦ LATERAL BRACE
SCALE: 6" = 1'-0"

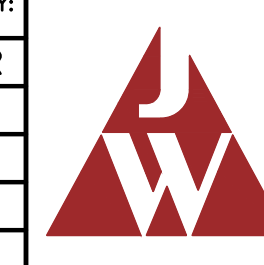


⑧ INSET RISER
SCALE: 3" = 1'-0"



⑨ STRINGER SPLICE @ #21 & #25 ONLY
SCALE: 3" = 1'-0"

REV	DATE	DESCRIPTION	REV BY:
0	09-19-19	SUBMITTED FOR A/E REVIEW	ALR

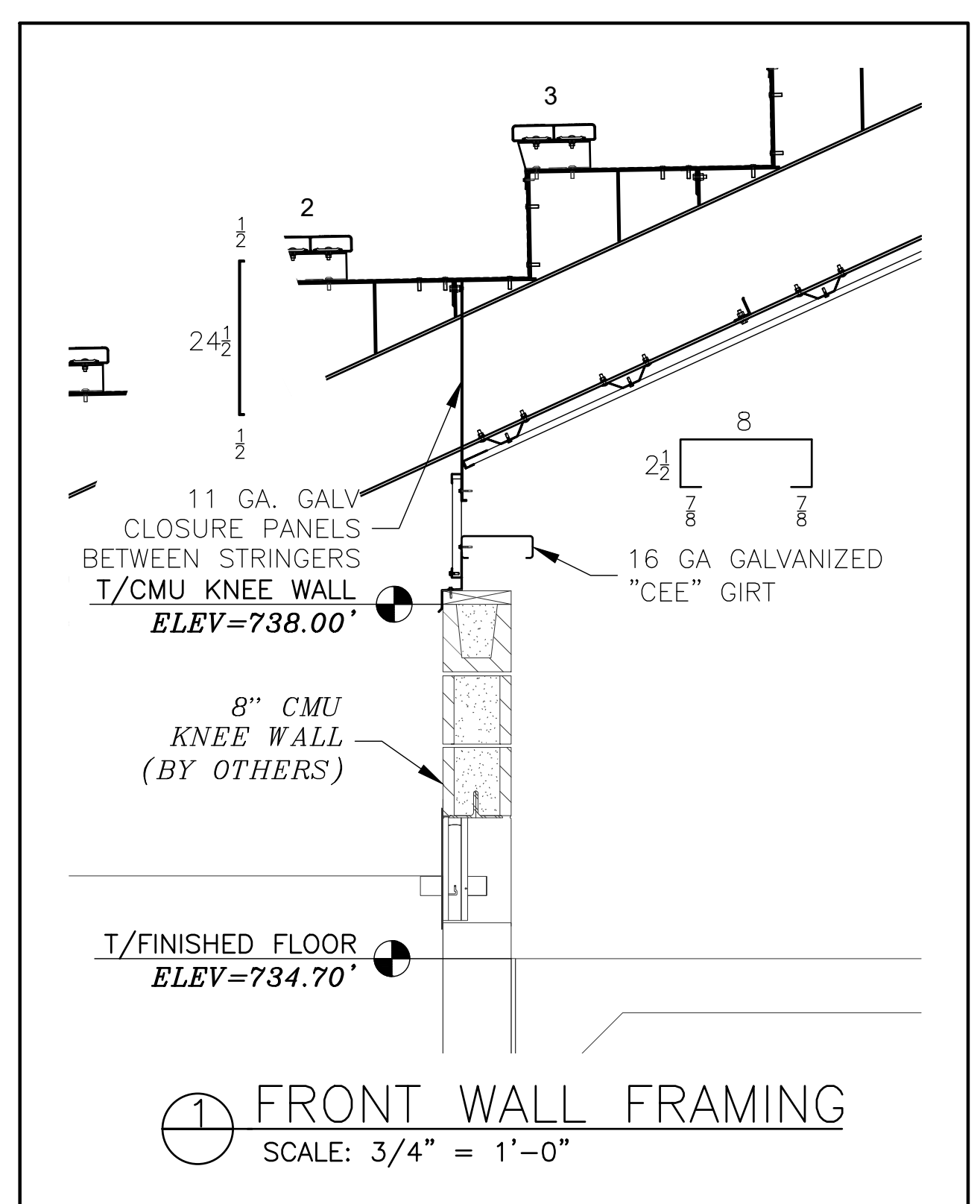
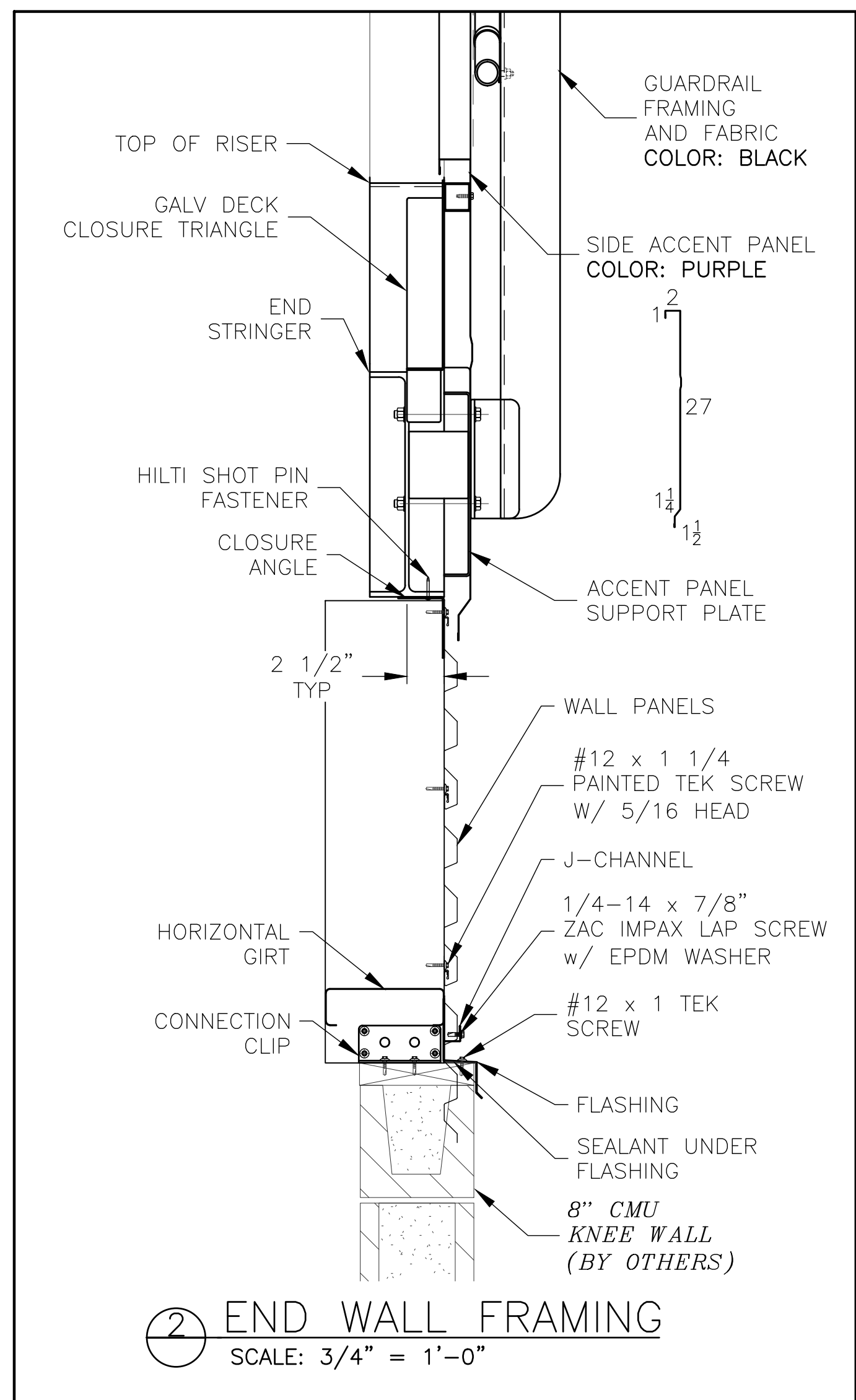
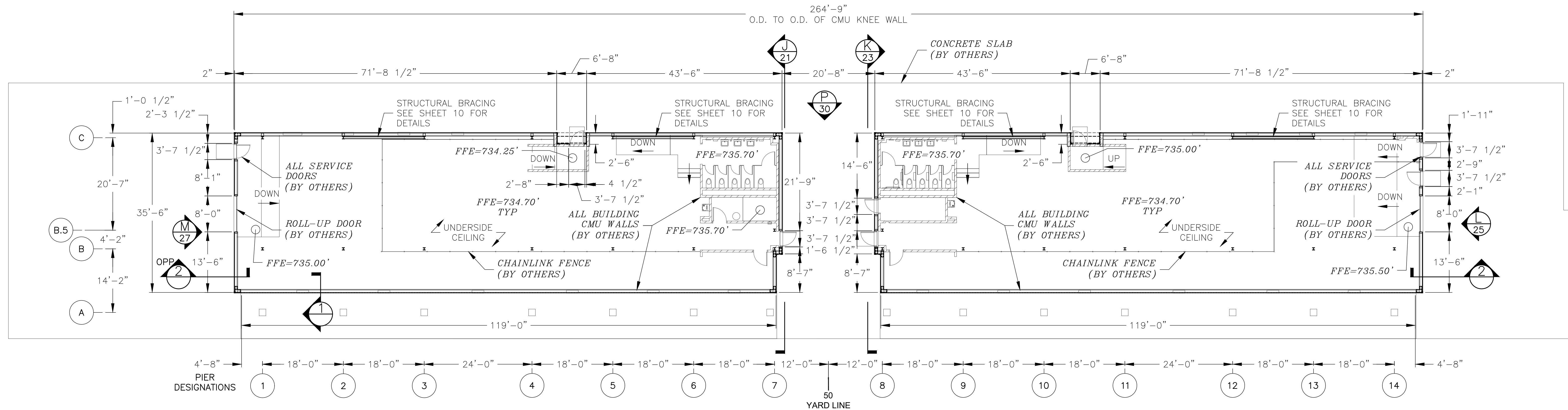


JW INDUSTRIES INC.

5662 Glendale Ave.
Green Bay, WI 54313
(920) 865-7307 Fax (920) 865-7777
jwoffice@jwindustriesinc.com

"We provide everything except the spectators."

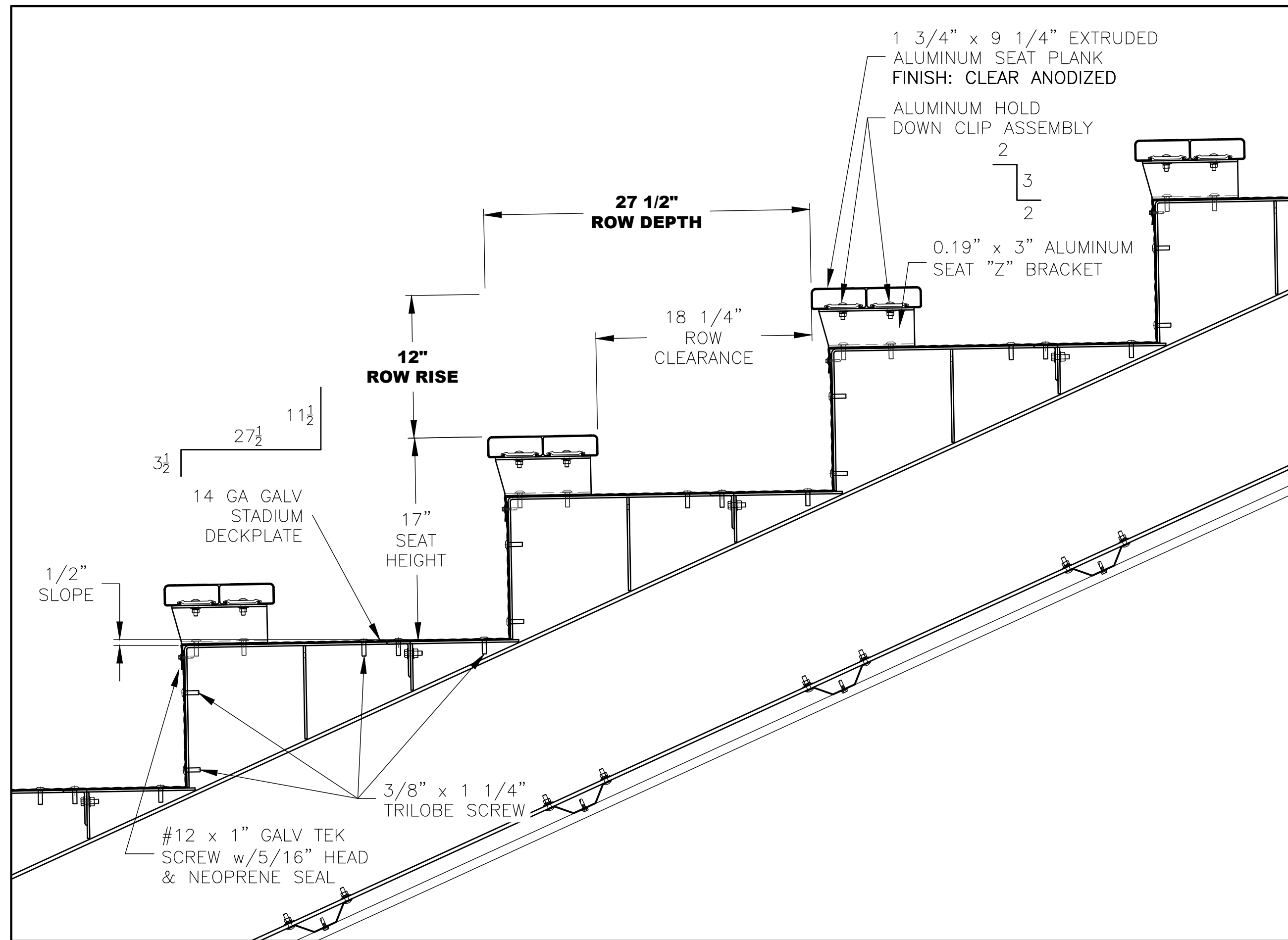
PROJECT:	STADIUM, PRESS BOX, & ENCLOSURE SYSTEMS
CLIENT:	DOWNERS GROVE NORTH COMMUNITY HIGH SCHOOL
DESIGN FIRM:	COMMUNITY HIGH SCHOOL DISTRICT 99
ARCHITECT:	RICE ENGINEERING, INC.
	WIGHT & COMPANY
JOB#:	19332
DATE:	09-19-19
DRAWN BY:	ALR/REI
SHEET NUMBER:	10 OF 46



REV	DATE	DESCRIPTION	REV BY:
0	09-19-19	SUBMITTED FOR A/E REVIEW	ALR

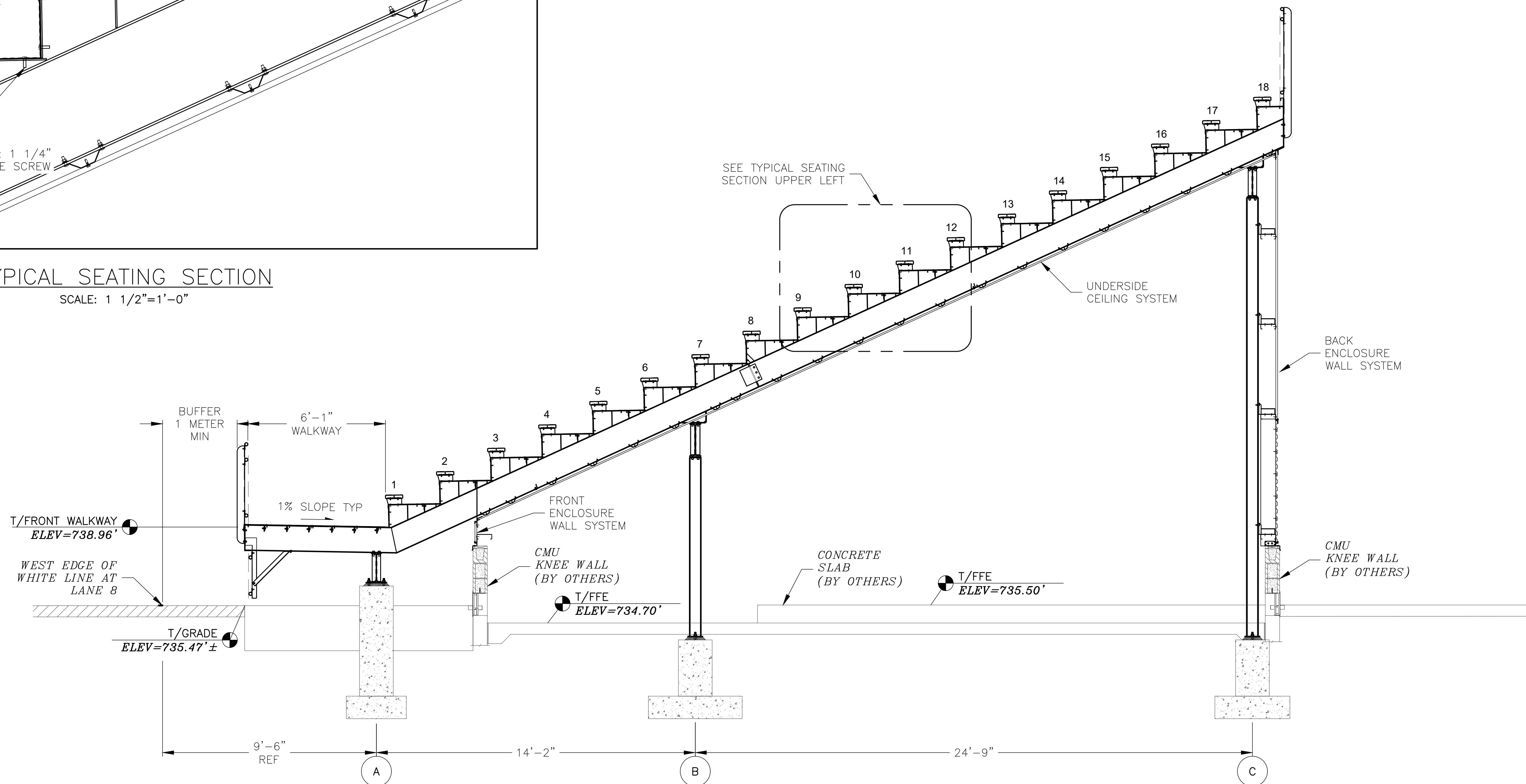
JW INDUSTRIES INC.
 5662 Glendale Ave.
 Green Bay, WI 54313
 (920) 865-7307 Fax (920) 865-7777
 jwoffice@jwindustriesinc.com
 "We provide everything except the spectators."

PROJECT:	STADIUM, PRESS BOX, & ENCLOSURE SYSTEMS
CLIENT:	DOWNERS GROVE NORTH COMMUNITY HIGH SCHOOL
DESIGN FIRM:	COMMUNITY HIGH SCHOOL DISTRICT 99
ARCHITECT:	RICE ENGINEERING, INC.
	WIGHT & COMPANY
JOB#: 19332	DATE: 09-19-19 DRAWN BY: ALR/REI SHEET NUMBER: 11 OF 46



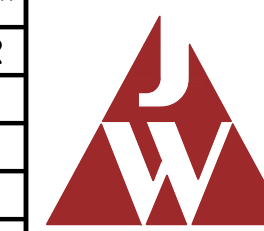
TYPICAL SEATING SECTION

SCALE: 1 1/2" = 1'-0"



(A) SEATING SECTION @ END BAYS
SCALE: 3/8" = 1'-0"

REV	DATE	DESCRIPTION	REV BY:
0	09-19-19	SUBMITTED FOR A/E REVIEW	ALR

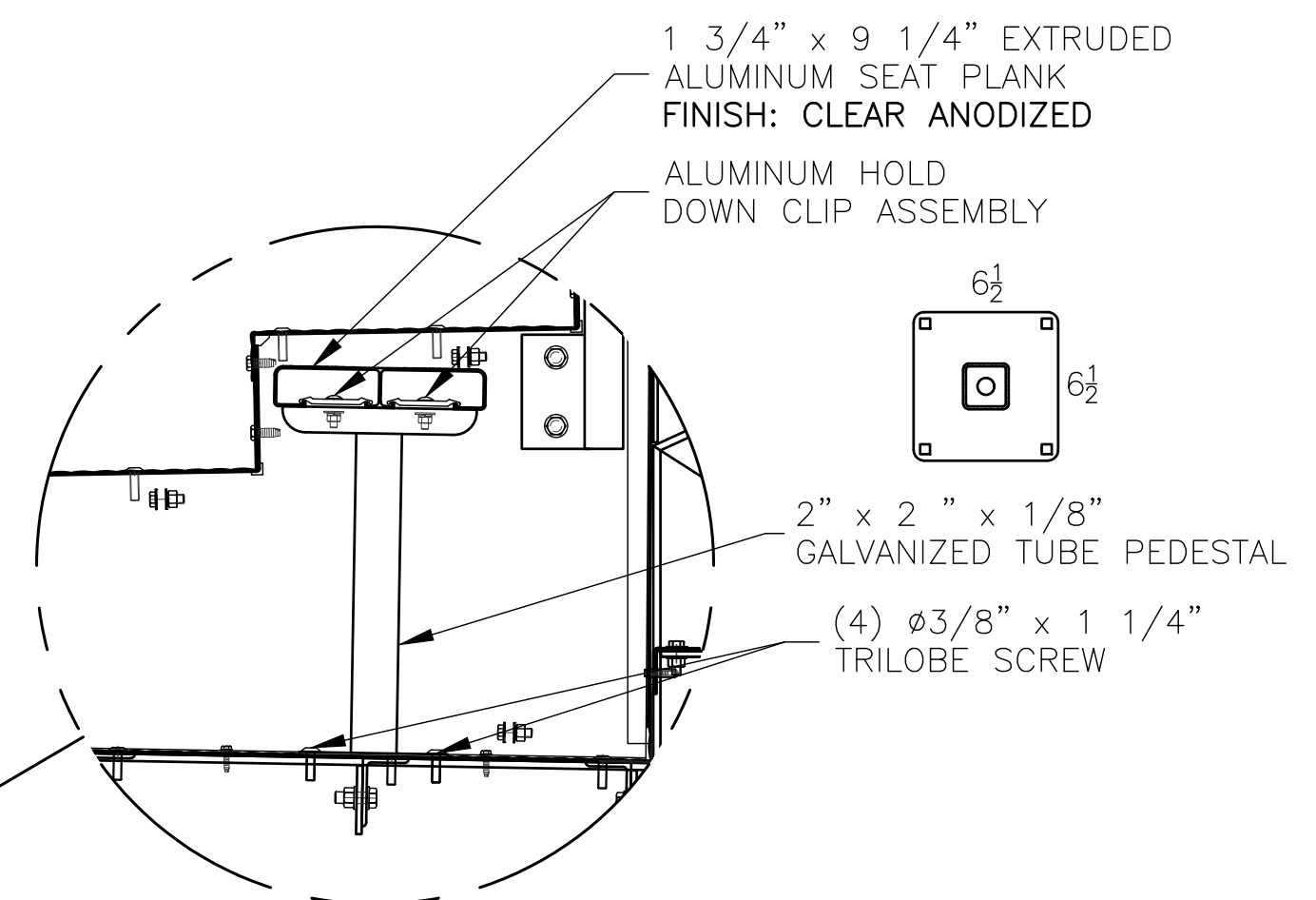


JW INDUSTRIES, INC.

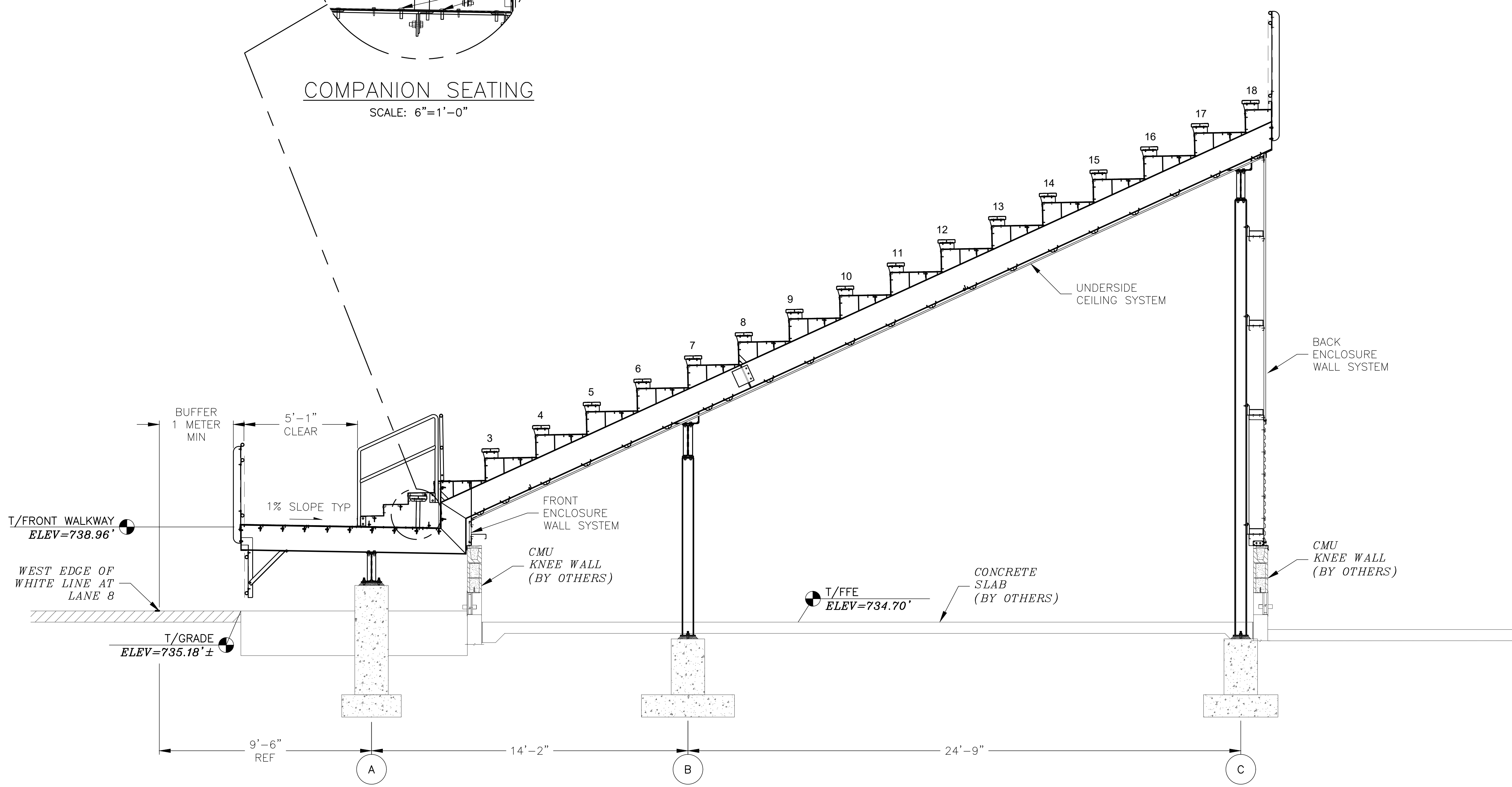
5662 Glendale Ave.
Green Bay, WI 54313
(920) 865-7307 Fax (920) 865-7777
jwoffice@jwindustriesinc.com

"We provide everything except the spectators."

PROJECT:	STADIUM, PRESS BOX, & ENCLOSURE SYSTEMS
CLIENT:	DOWNERS GROVE NORTH COMMUNITY HIGH SCHOOL
DESIGN FIRM:	COMMUNITY HIGH SCHOOL DISTRICT 99
ARCHITECT:	RICE ENGINEERING, INC.
	WIGHT & COMPANY
JOB#: 19332	DATE: 09-19-19 DRAWN BY: ALR/REI SHEET NUMBER: 12 OF 46



COMPANION SEATING
SCALE: 6"=1'-0"

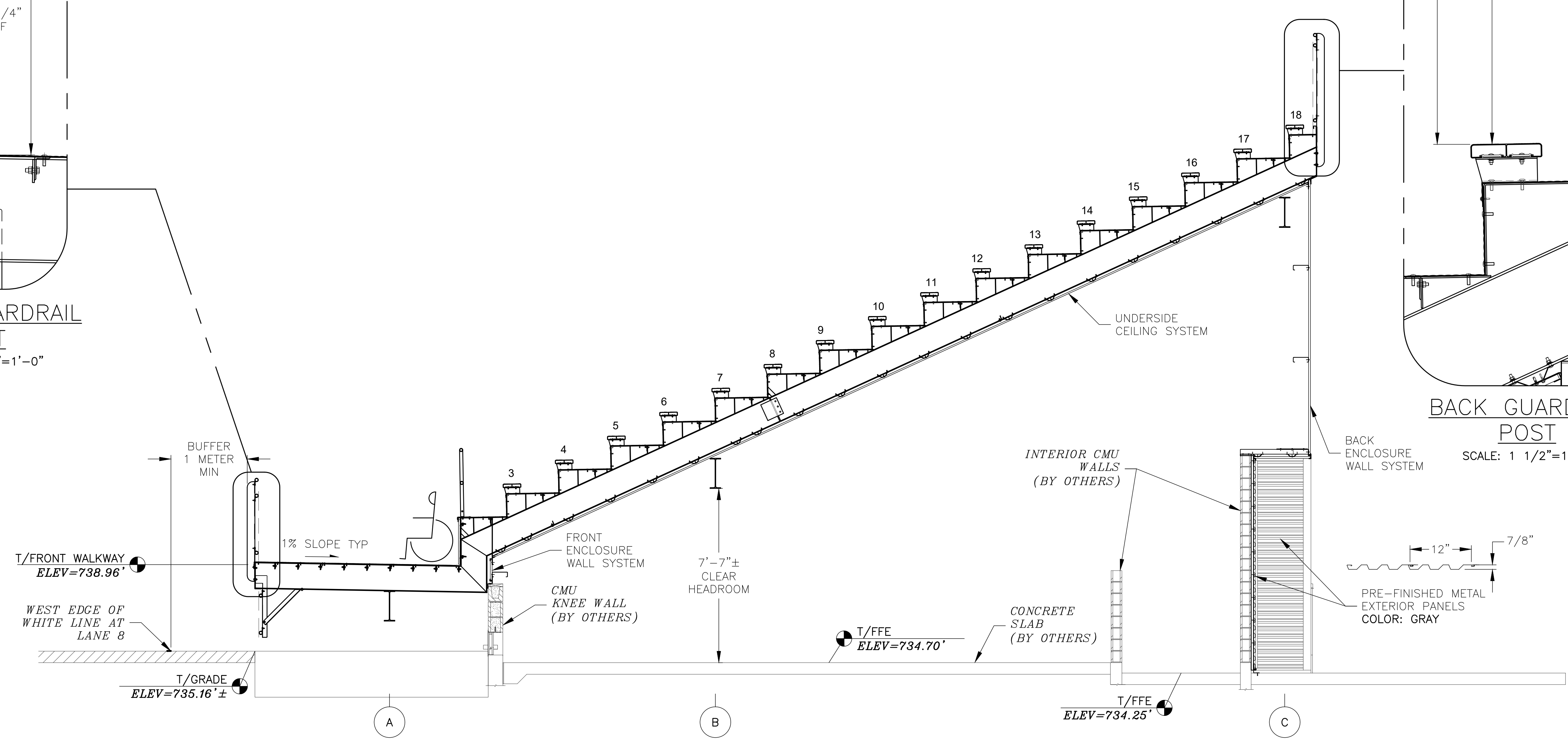
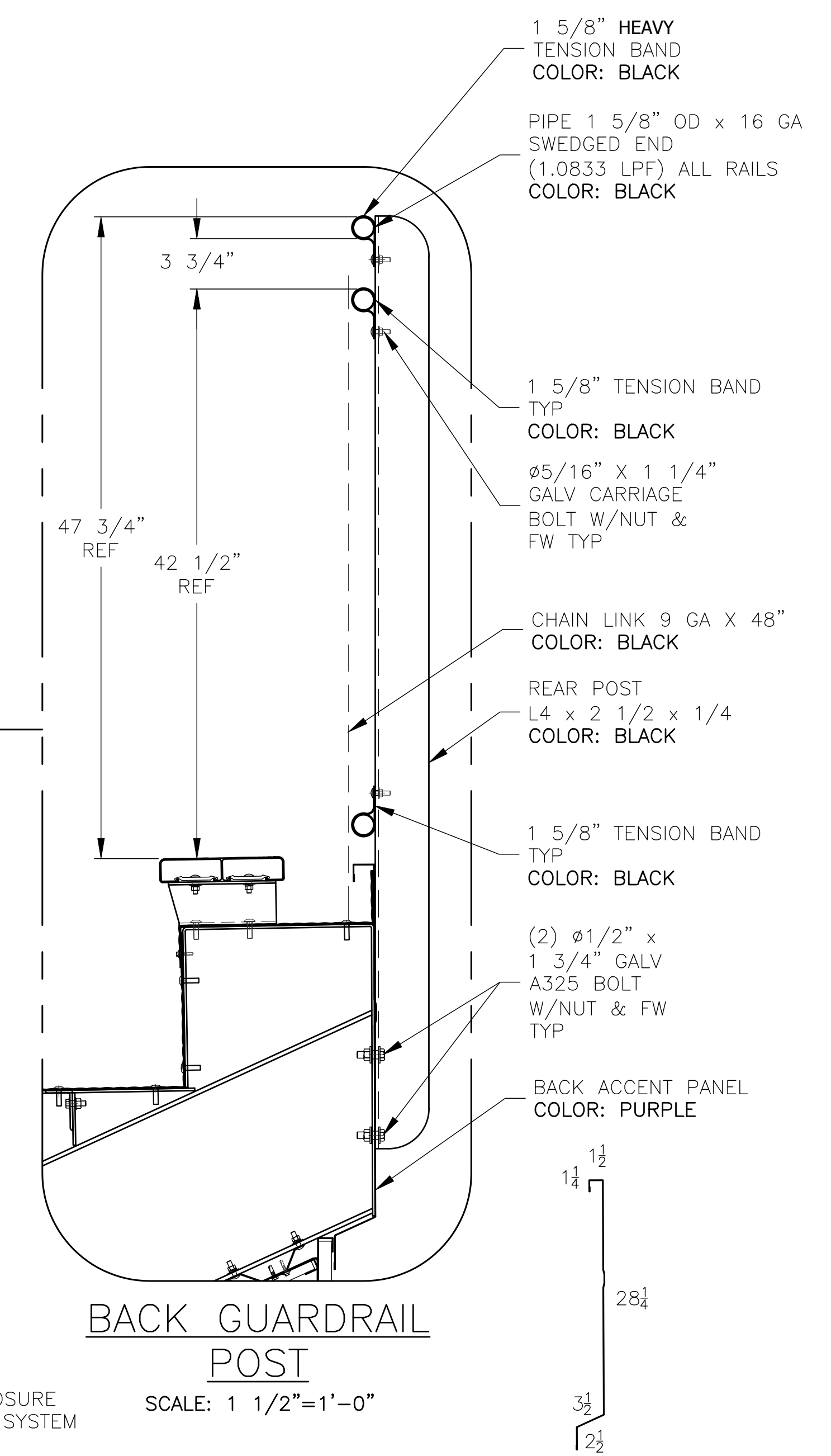
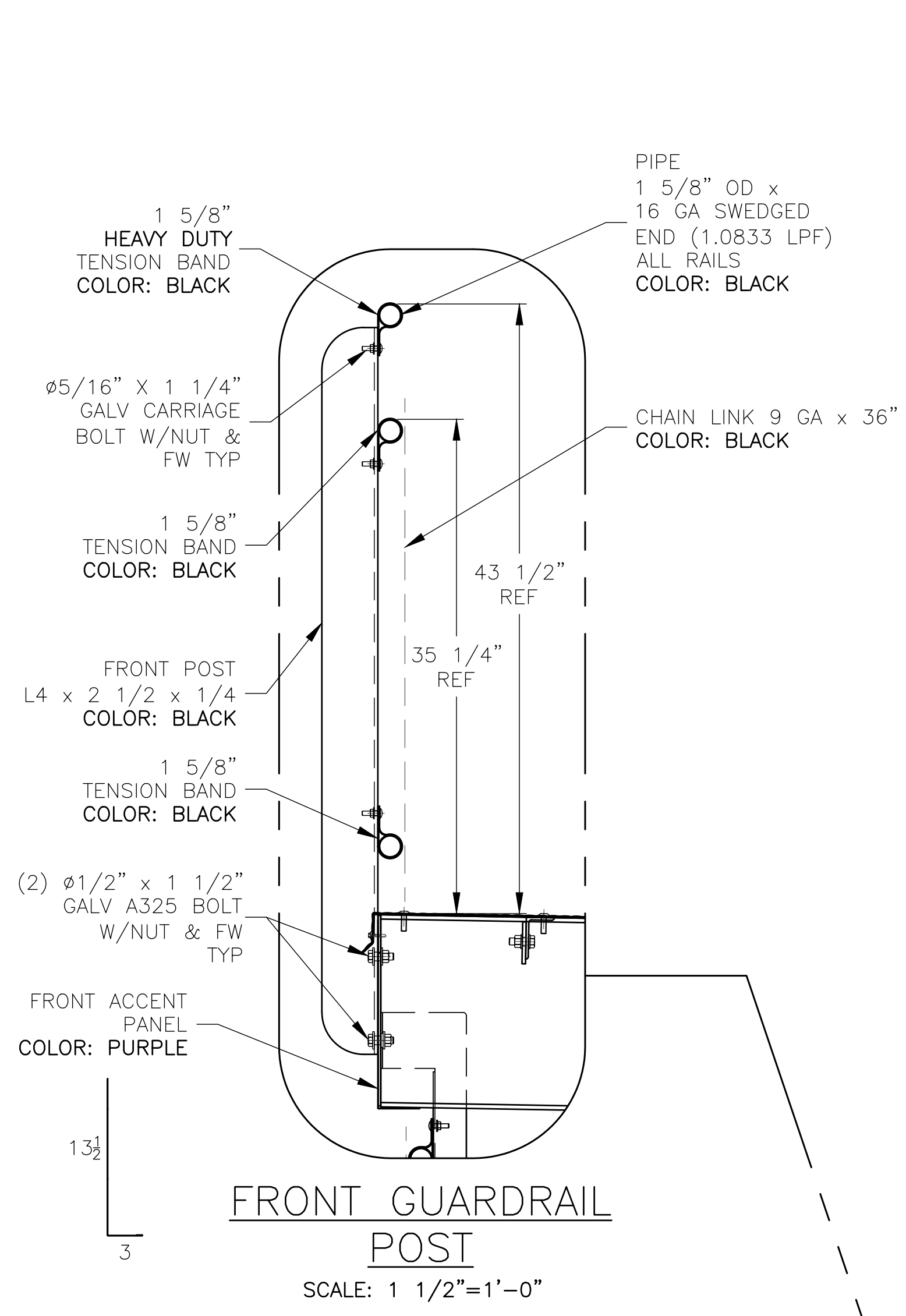


(B) SEATING SECTION TYP
SCALE: 3/8" = 1'-0"

REV	DATE	DESCRIPTION	REV BY:
0	09-19-19	SUBMITTED FOR A/E REVIEW	ALR

JW INDUSTRIES INC.
 5662 Glendale Ave.
 Green Bay, WI 54313
 (920) 865-7307 Fax (920) 865-7777
 jwoffice@jwindustriesinc.com
"We provide everything except the spectators."

PROJECT:	STADIUM, PRESS BOX, & ENCLOSURE SYSTEMS
CLIENT:	DOWNERS GROVE NORTH COMMUNITY HIGH SCHOOL
DESIGN FIRM:	COMMUNITY HIGH SCHOOL DISTRICT 99
ARCHITECT:	RICE ENGINEERING, INC.
	WIGHT & COMPANY
JOB#: 19332	DATE: 09-19-19 DRAWN BY: ALR/REI SHEET NUMBER: 13 OF 46



SEATING SECTION TYP
SCALE: 3/8" = 1'-0"

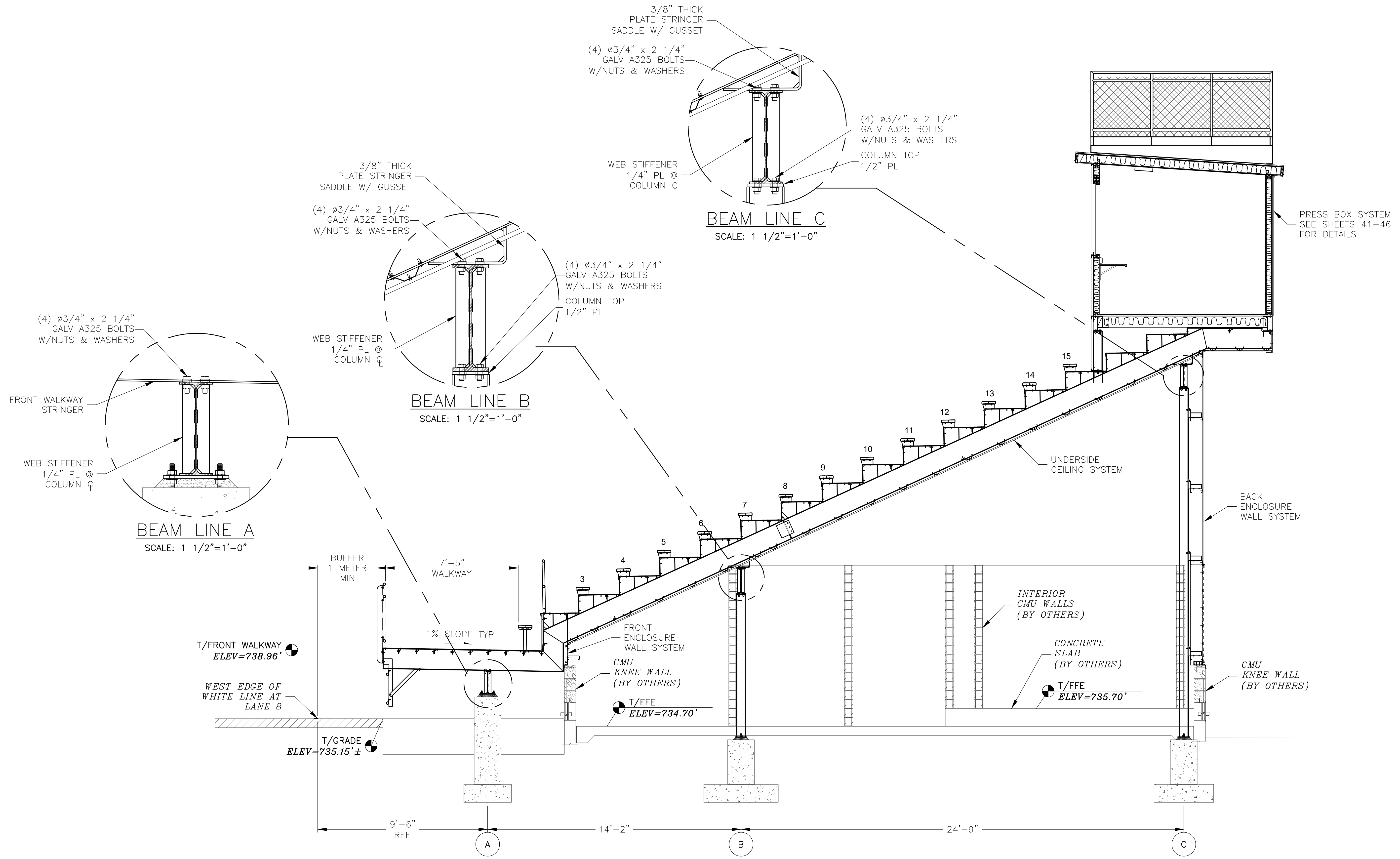
REV	DATE	DESCRIPTION	REV BY:
0	09-19-19	SUBMITTED FOR A/E REVIEW	ALR

JW INDUSTRIES INC.

5662 Glendale Ave.
Green Bay, WI 54313
(920) 865-7307 Fax (920) 865-7777
jwoffice@jwindustriesinc.com

"We provide everything except the spectators."

PROJECT:	STADIUM, PRESS BOX, & ENCLOSURE SYSTEMS
CLIENT:	DOWNERS GROVE NORTH COMMUNITY HIGH SCHOOL
DESIGN FIRM:	COMMUNITY HIGH SCHOOL DISTRICT 99
ARCHITECT:	RICE ENGINEERING, INC.
JOB#:	WIGHT & COMPANY
DATE:	19332
DRAWN BY:	09-19-19
SHEET NUMBER:	ALR/REI
OF	14 OF 46

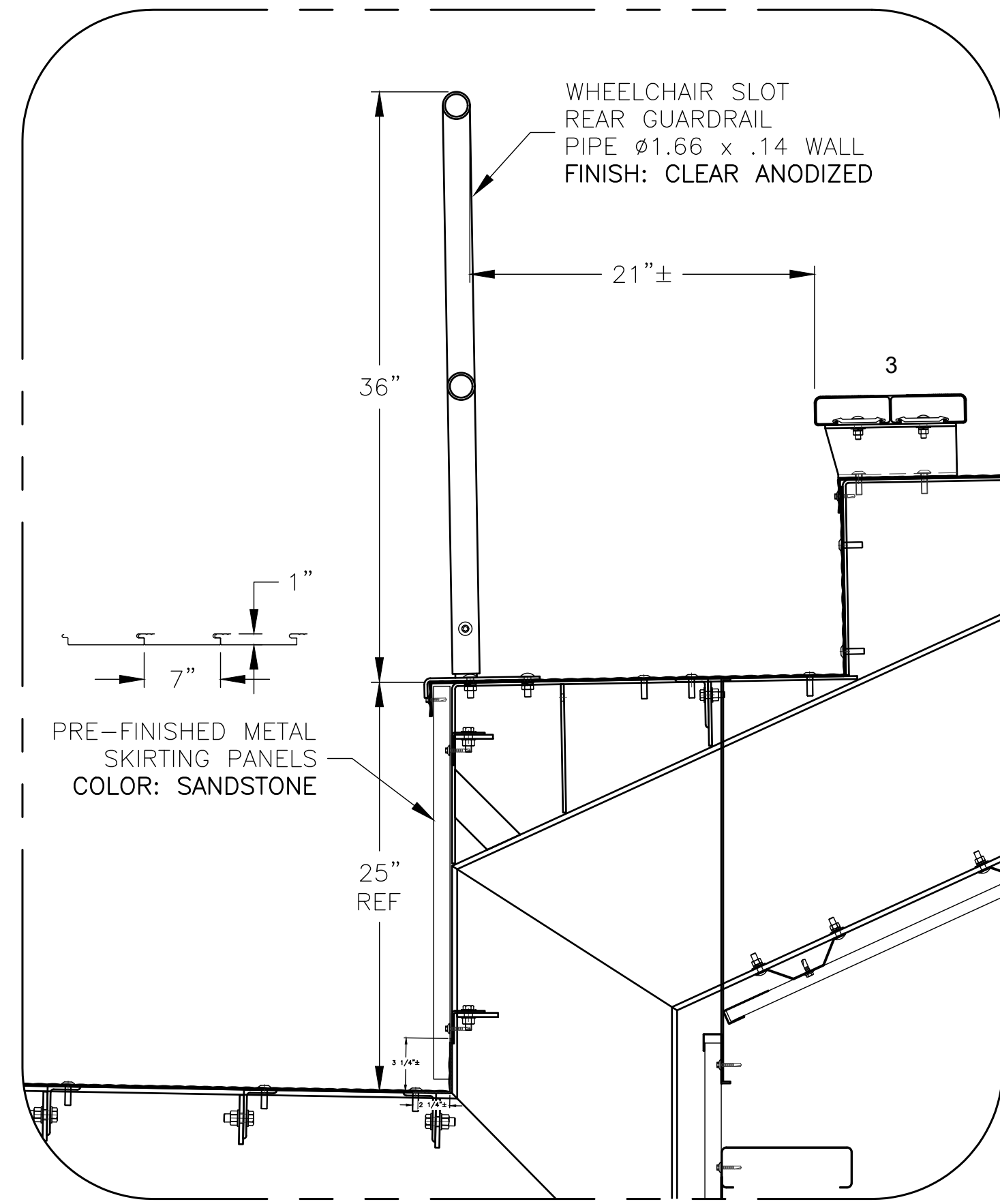


SEATING SECTION @ PRESS BOX
SCALE: 3/8" = 1'-0"

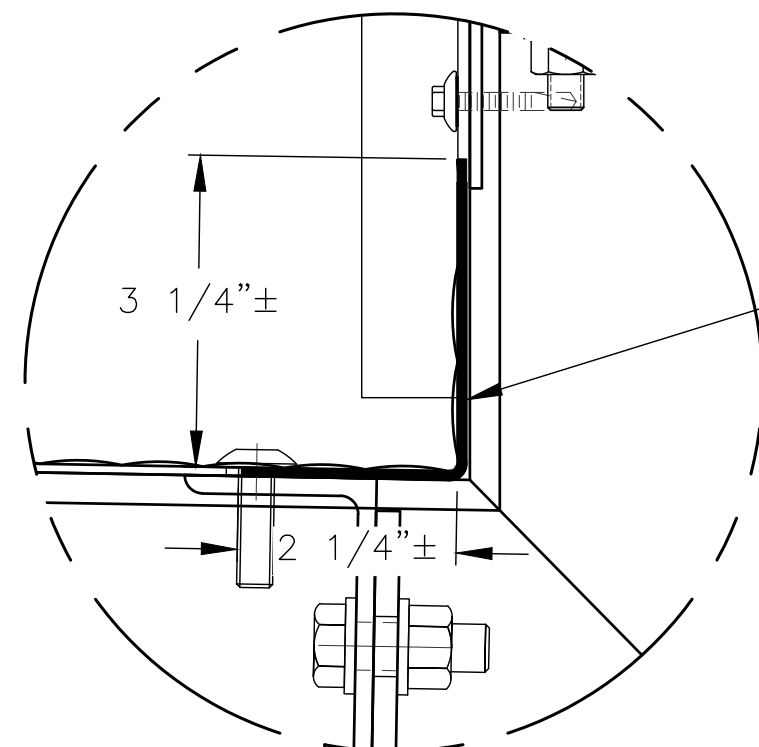
REV	DATE	DESCRIPTION	REV BY:
0	09-19-19	SUBMITTED FOR A/E REVIEW	ALR

JW INDUSTRIES INC.
 5662 Glendale Ave.
 Green Bay, WI 54313
 (920) 865-7307 Fax (920) 865-7777
 jwoffice@jwindustriesinc.com
"We provide everything except the spectators."

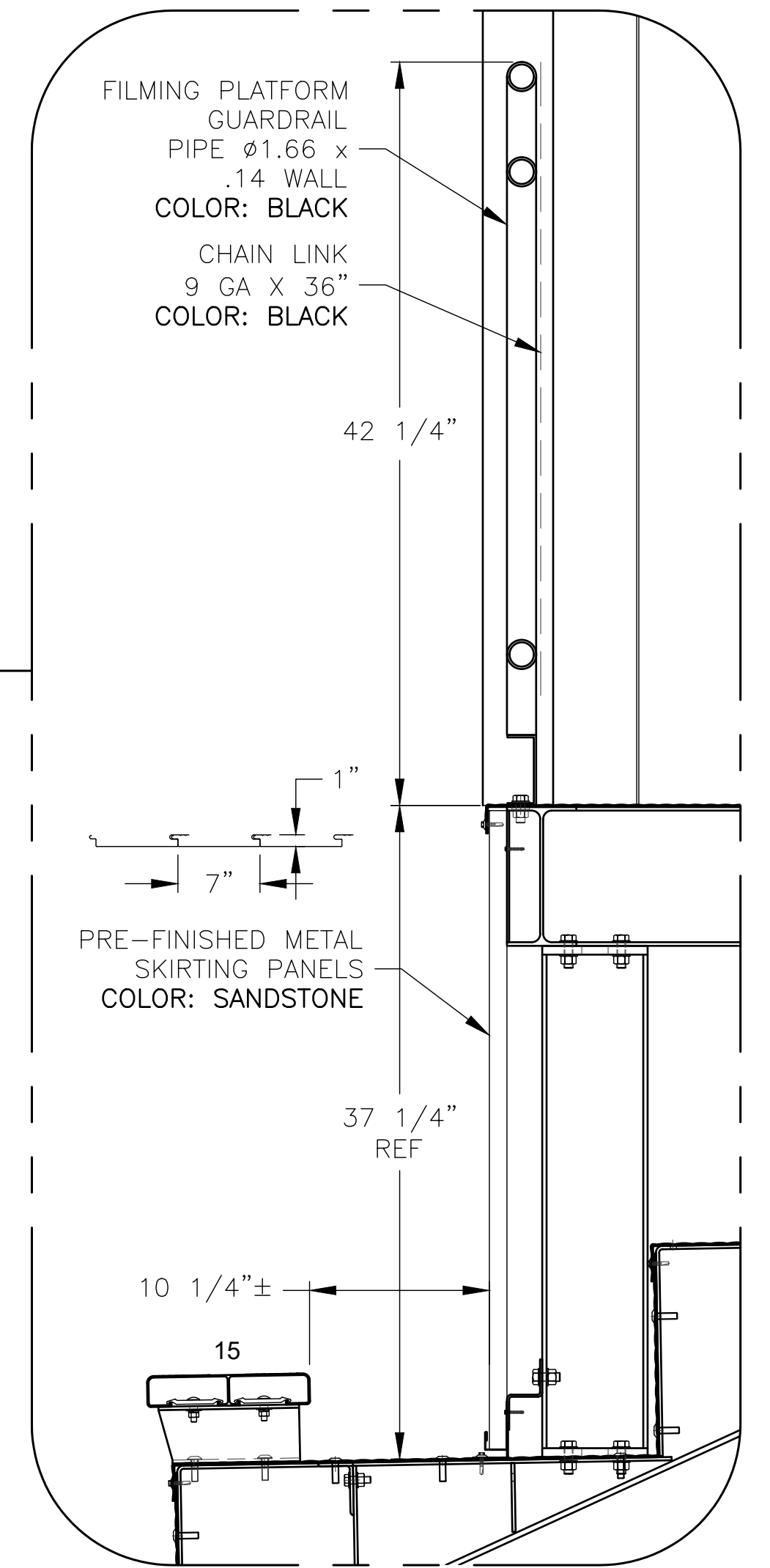
PROJECT:	STADIUM, PRESS BOX, & ENCLOSURE SYSTEMS
CLIENT:	DOWNERS GROVE NORTH COMMUNITY HIGH SCHOOL
DESIGN FIRM:	COMMUNITY HIGH SCHOOL DISTRICT 99
ARCHITECT:	RICE ENGINEERING, INC.
	WIGHT & COMPANY
JOB#:	19332
DATE:	09-19-19
DRAWN BY:	ALR/REI
SHEET NUMBER:	15 OF 46



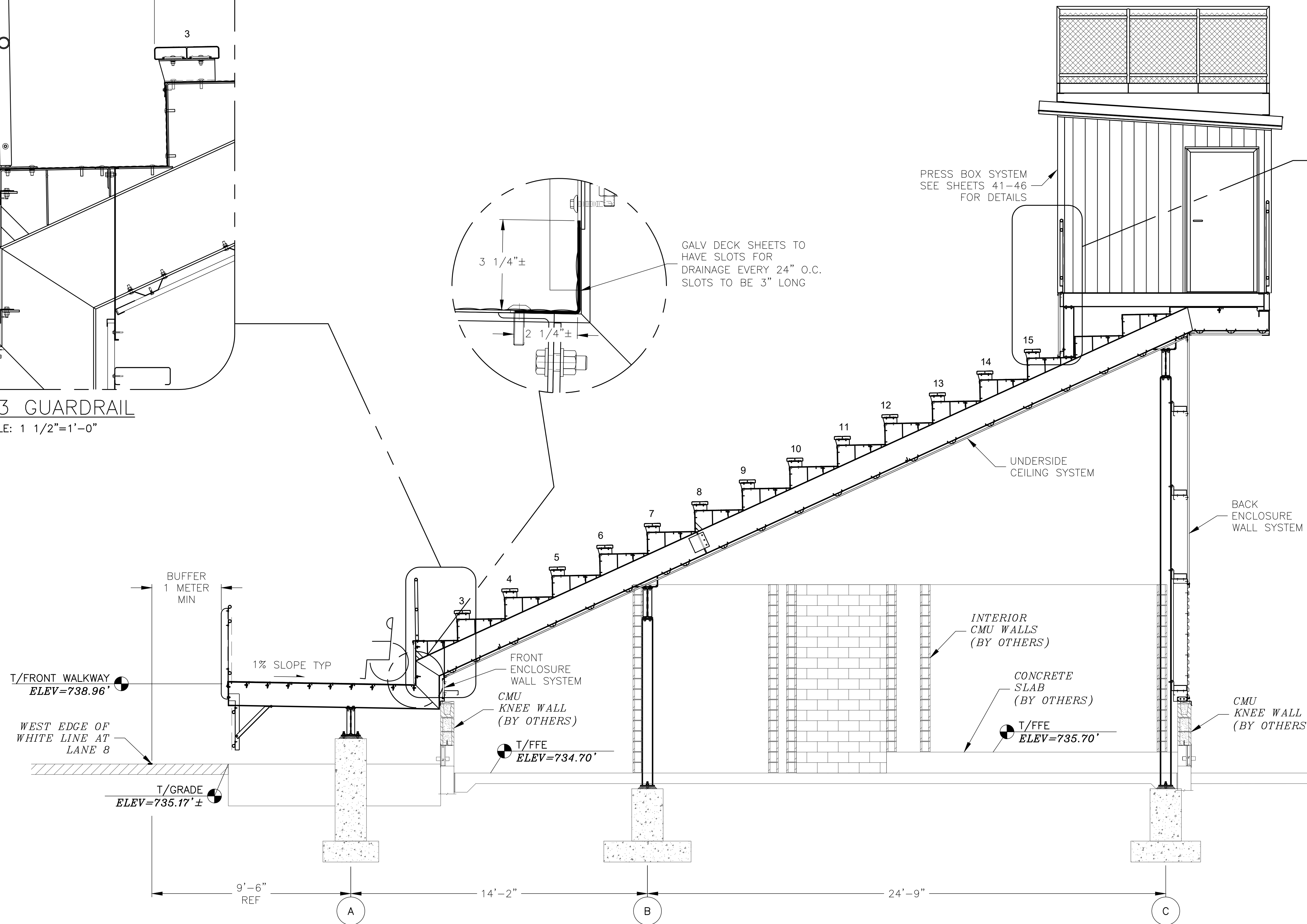
ROW 3 GUARDRAIL
SCALE: 1 1/2"=1'-0"



GALV DECK SHEETS TO HAVE SLOTS FOR DRAINAGE EVERY 24" O.C. SLOTS TO BE 3" LONG

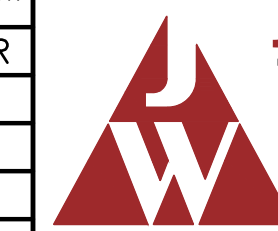


FILMING PLATFORM FRONT GUARDRAIL
SCALE: 1 1/2"=1'-0"



SEATING SECTION @ FILMING PLATFORM
SCALE: 3/8" = 1'-0"

REV	DATE	DESCRIPTION	REV BY:
0	09-19-19	SUBMITTED FOR A/E REVIEW	ALR

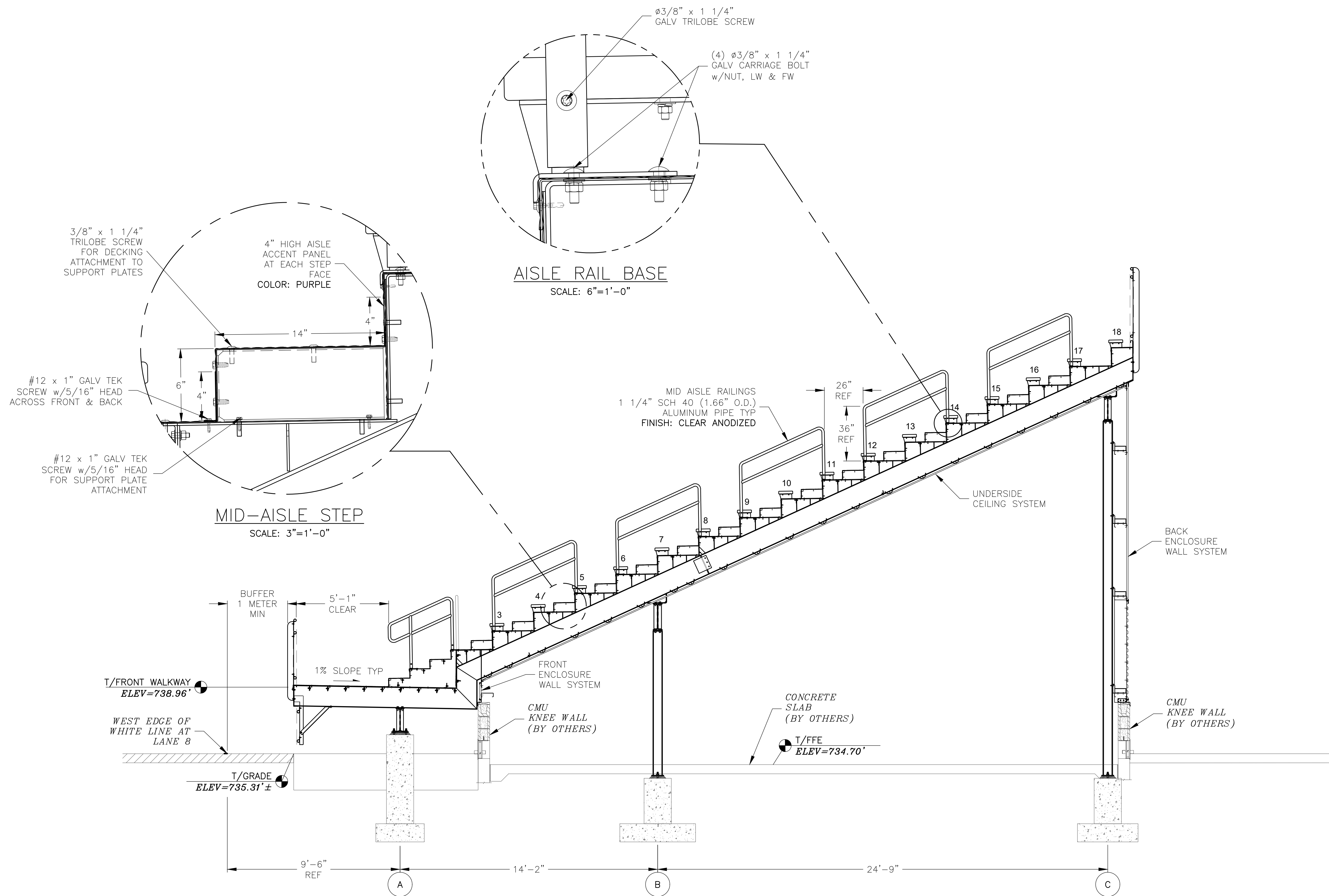


JW INDUSTRIES, INC.

5662 Glendale Ave.
Green Bay, WI 54313
(920) 865-7307 Fax (920) 865-7777
jwoffice@jwindustriesinc.com

"We provide everything except the spectators."

PROJECT:	STADIUM, PRESS BOX, & ENCLOSURE SYSTEMS
CLIENT:	DOWNERS GROVE NORTH COMMUNITY HIGH SCHOOL
DESIGN FIRM:	COMMUNITY HIGH SCHOOL DISTRICT 99
ARCHITECT:	RICE ENGINEERING, INC.
	WIGHT & COMPANY
JOB#:	19332
DATE:	09-19-19
DRAWN BY:	ALR/REI
SHEET NUMBER:	16 OF 46



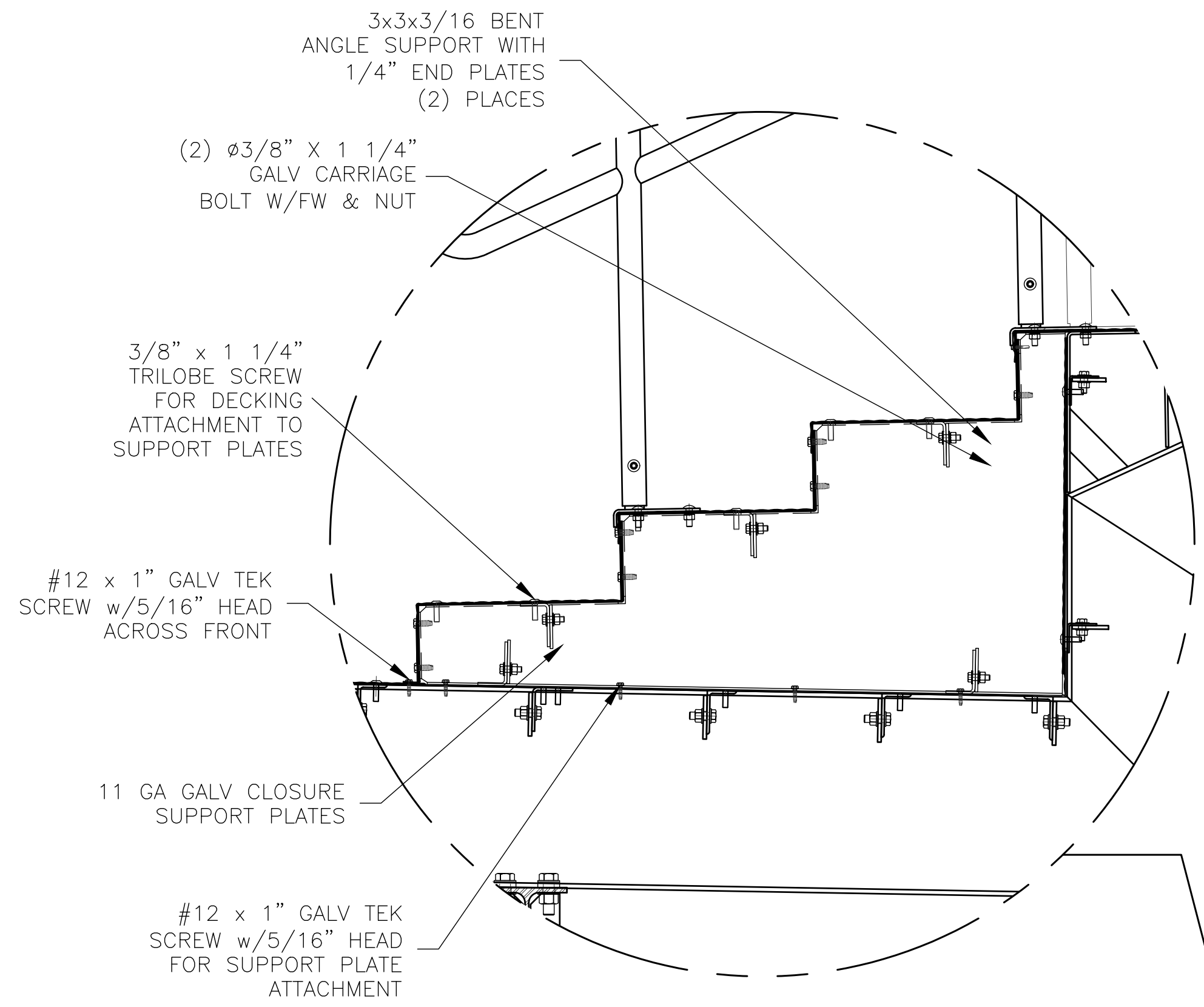
F AISLE SECTION TYP
SCALE: 3/8" = 1'-0"

REV	DATE	DESCRIPTION	REV BY:
0	09-19-19	SUBMITTED FOR A/E REVIEW	ALR

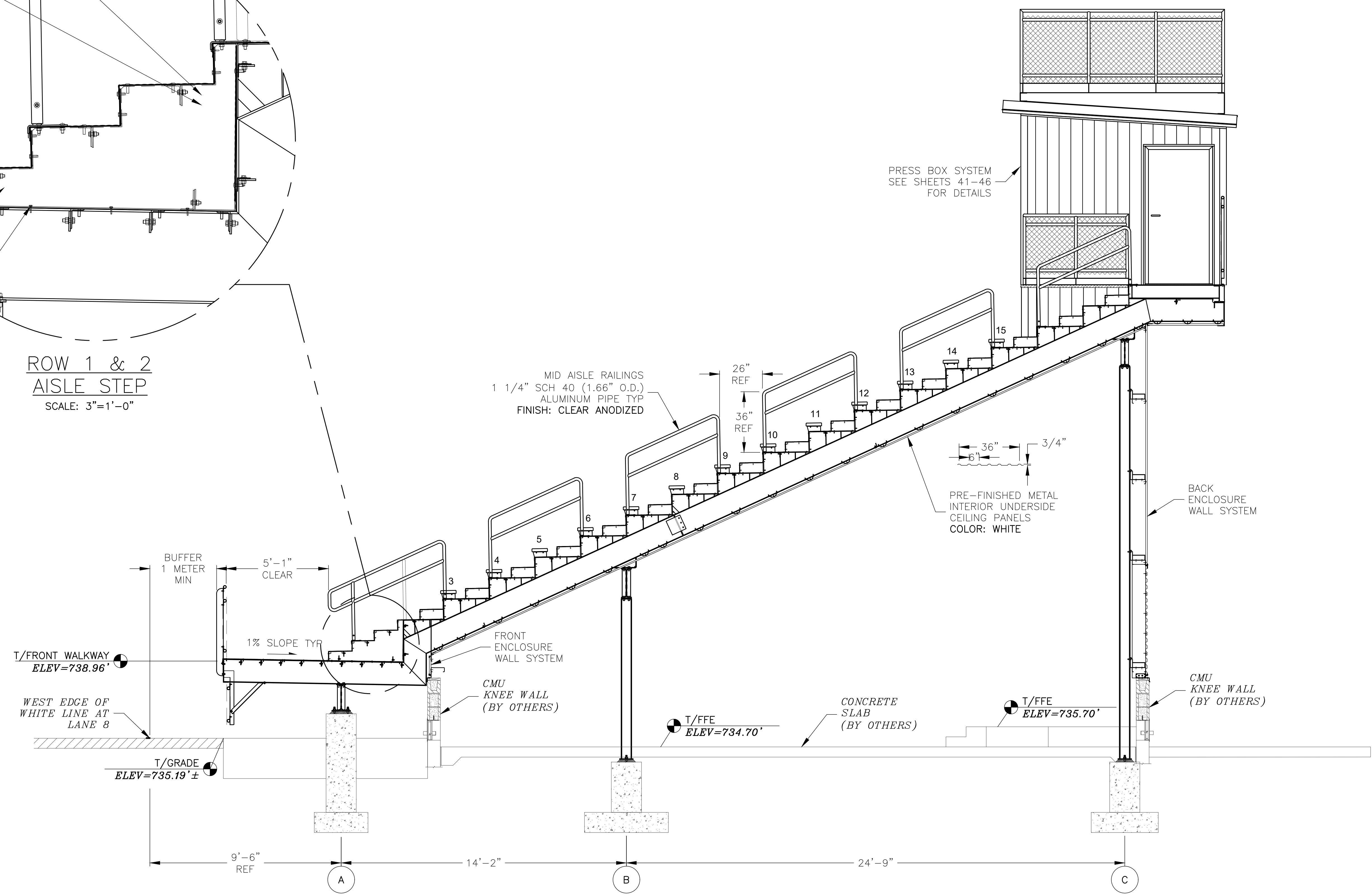


JW INDUSTRIES INC.
 5662 Glendale Ave.
 Green Bay, WI 54313
 (920) 865-7307 Fax (920) 865-7777
 jwoffice@jwindustriesinc.com
 "We provide everything except the spectators."

PROJECT:	STADIUM, PRESS BOX, & ENCLOSURE SYSTEMS
CLIENT:	DOWNERS GROVE NORTH COMMUNITY HIGH SCHOOL
DESIGN FIRM:	COMMUNITY HIGH SCHOOL DISTRICT 99
ARCHITECT:	RICE ENGINEERING, INC.
	WIGHT & COMPANY
JOB#: 19332	DATE: 09-19-19 DRAWN BY: ALR/REI SHEET NUMBER: 17 OF 46



ROW 1 & 2 AISLE STEP
SCALE: 3"=1'-0"



Ⓒ AISLE SECTION @ PRESS BOX (NORTH)
SCALE: 3/8" = 1'-0"
(SOUTH PRESS BOX AISLE OPPOSITE)

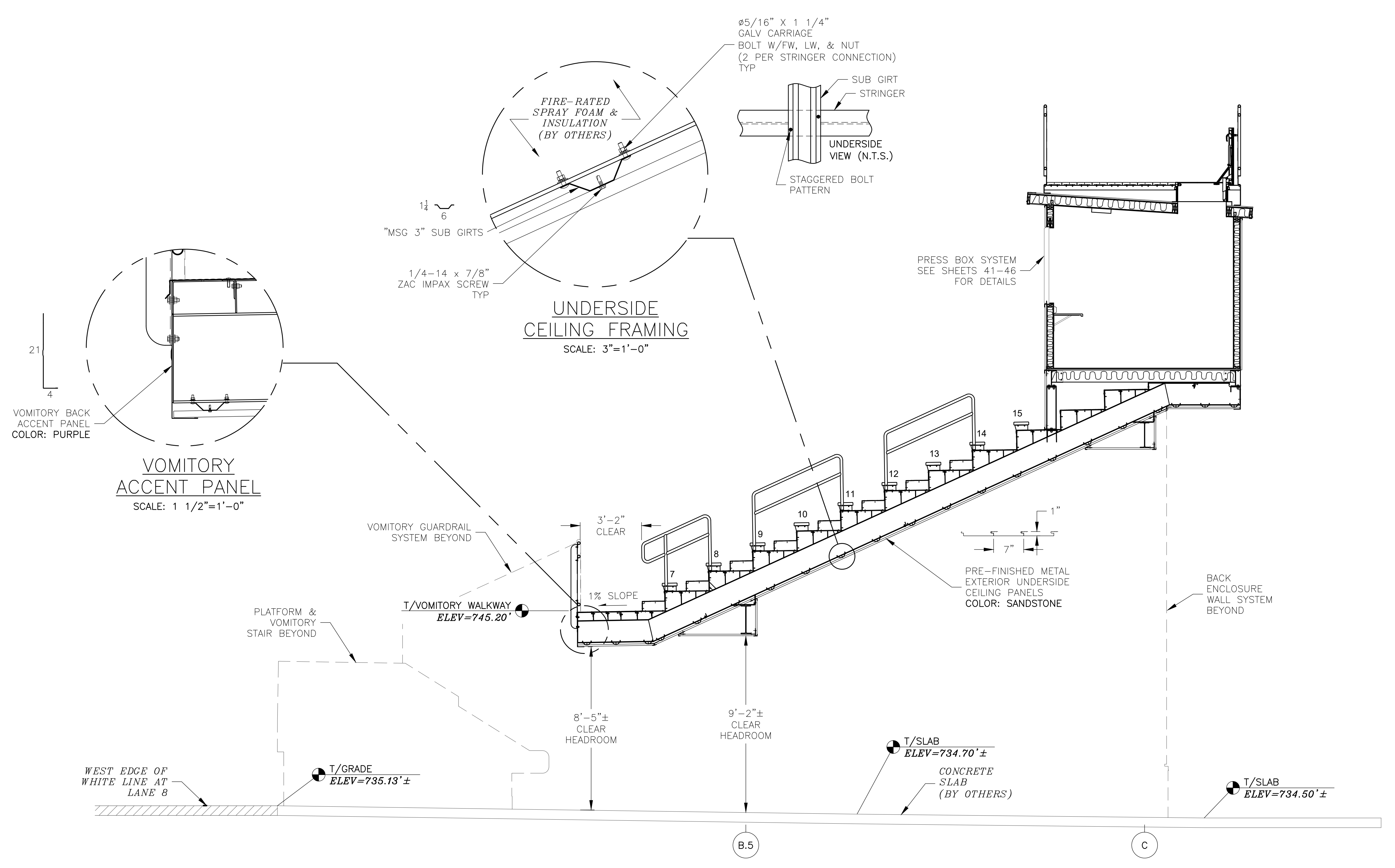
REV	DATE	DESCRIPTION	REV BY:
0	09-19-19	SUBMITTED FOR A/E REVIEW	ALR

JW INDUSTRIES INC.

5662 Glendale Ave.
Green Bay, WI 54313
(920) 865-7307 Fax (920) 865-7777
jwoffice@jwindustriesinc.com

"We provide everything except the spectators."

PROJECT:	STADIUM, PRESS BOX, & ENCLOSURE SYSTEMS
CLIENT:	DOWNERS GROVE NORTH COMMUNITY HIGH SCHOOL
CLIENT:	COMMUNITY HIGH SCHOOL DISTRICT 99
DESIGN FIRM:	RICE ENGINEERING, INC.
ARCHITECT:	WIGHT & COMPANY
JOB#:	19332
DATE:	09-19-19
DRAWN BY:	ALR/REI
SHEET NUMBER:	18 OF 46

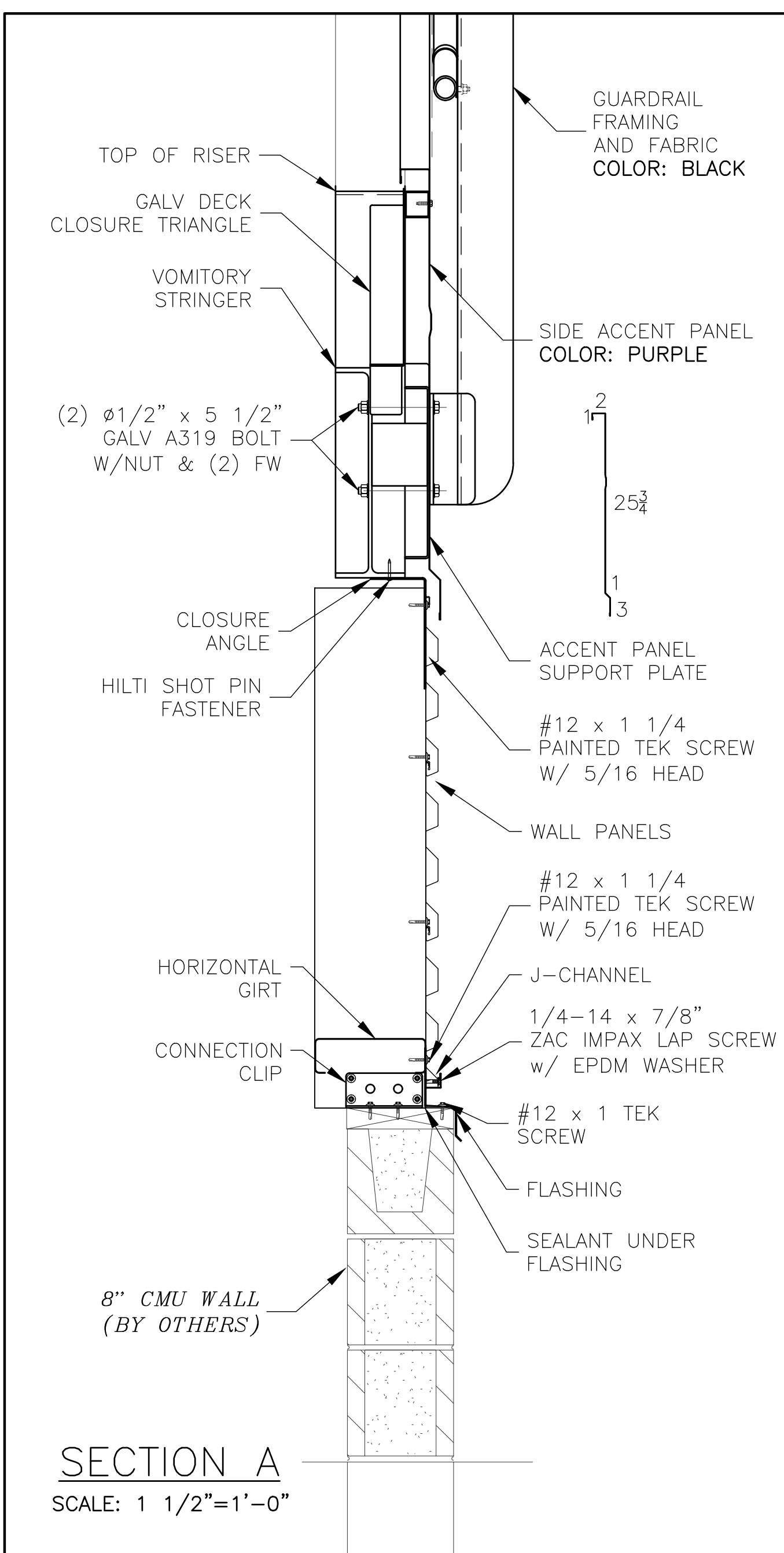


Ⓜ AISLE SECTION @ CENTER
SCALE: 3/8" = 1'-0"

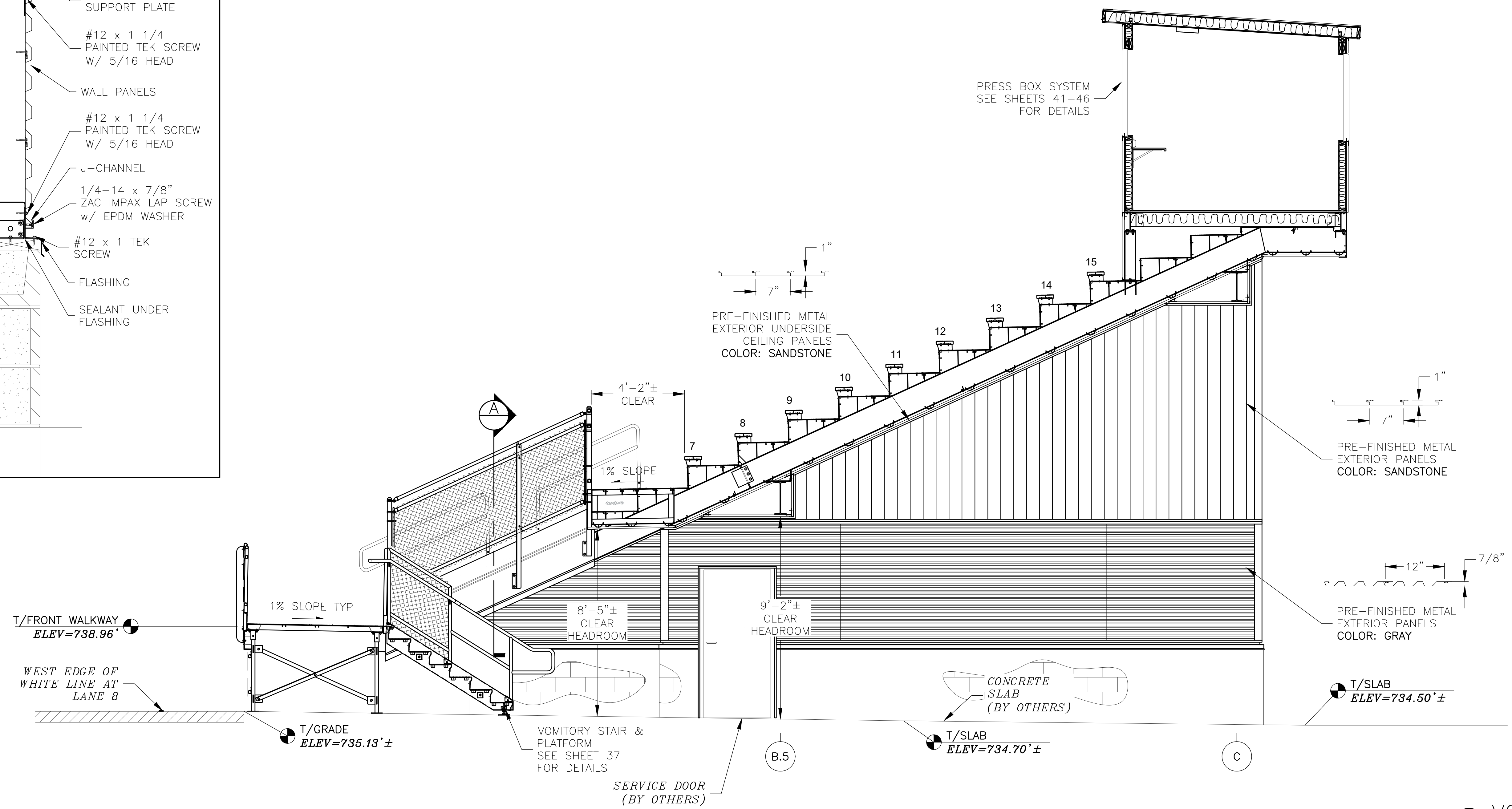
REV	DATE	DESCRIPTION	REV BY:
0	09-19-19	SUBMITTED FOR A/E REVIEW	ALR

JW INDUSTRIES, INC.
 5662 Glendale Ave.
 Green Bay, WI 54313
 (920) 865-7307 Fax (920) 865-7777
 jwoffice@jwindustriesinc.com
"We provide everything except the spectators."

PROJECT:	STADIUM, PRESS BOX, & ENCLOSURE SYSTEMS
CLIENT:	DOWNERS GROVE NORTH COMMUNITY HIGH SCHOOL
DESIGN FIRM:	COMMUNITY HIGH SCHOOL DISTRICT 99
ARCHITECT:	RICE ENGINEERING, INC.
	WIGHT & COMPANY
JOB#: 19332	DATE: 09-19-19 DRAWN BY: ALR/REI SHEET NUMBER: 19 OF 46



SECTION A
SCALE: 1 1/2"=1'-0"

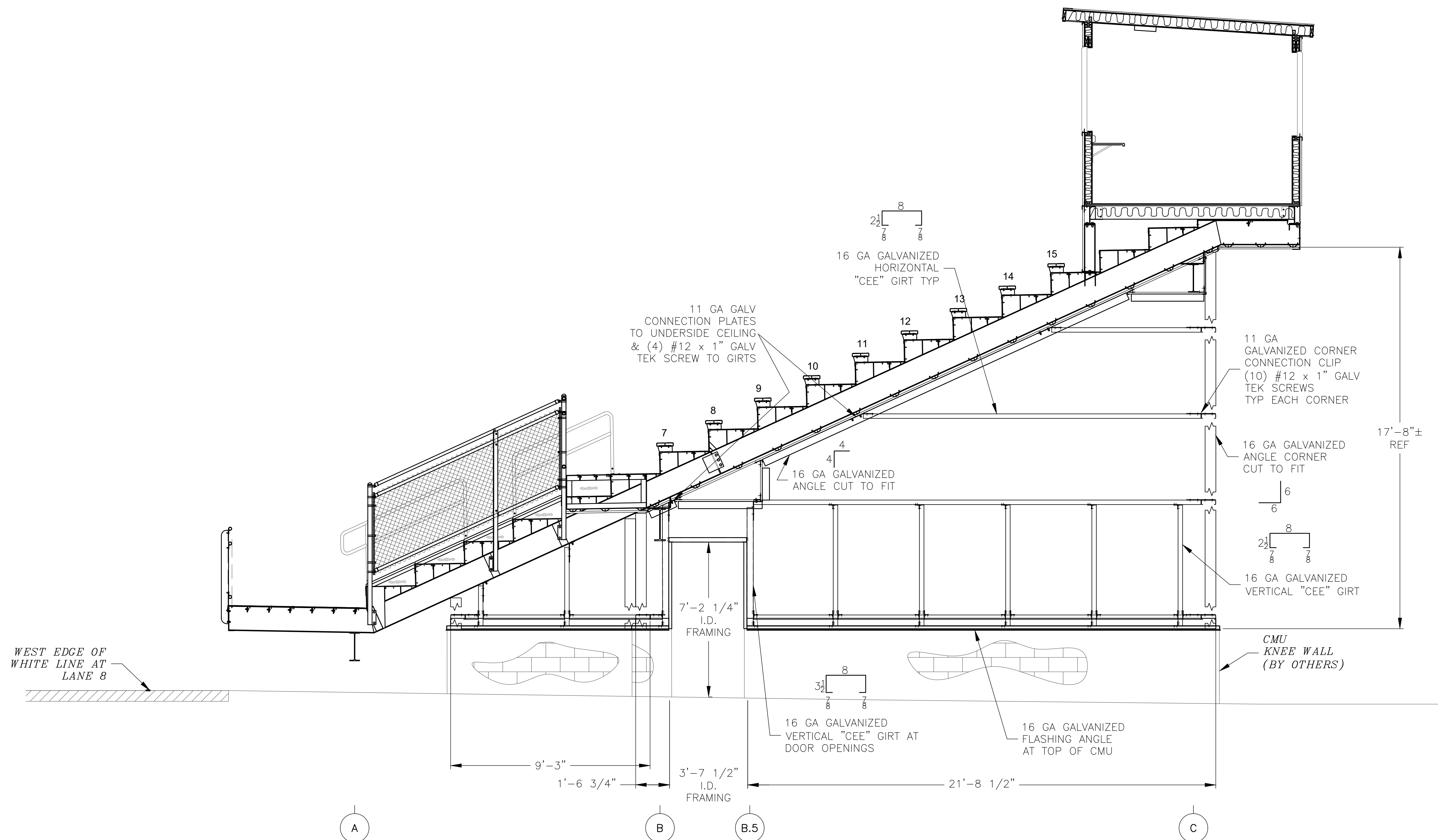


VOMITORY SECTION (NORTH)
SCALE: 3/8" = 1'-0"
(SEE SHEET 21 FOR ENCLOSURE WALL FRAMING)

REV	DATE	DESCRIPTION	REV BY:
0	09-19-19	SUBMITTED FOR A/E REVIEW	ALR

JW INDUSTRIES INC.
 5662 Glendale Ave.
 Green Bay, WI 54313
 (920) 865-7307 Fax (920) 865-7777
 jwoffice@jwindustriesinc.com
 "We provide everything except the spectators."

PROJECT:	STADIUM, PRESS BOX, & ENCLOSURE SYSTEMS
CLIENT:	DOWNERS GROVE NORTH COMMUNITY HIGH SCHOOL
DESIGN FIRM:	COMMUNITY HIGH SCHOOL DISTRICT 99
ARCHITECT:	RICE ENGINEERING, INC.
	WIGHT & COMPANY
JOB#: 19332	DATE: 09-19-19 DRAWN BY: ALR/REI SHEET NUMBER: 20 OF 46

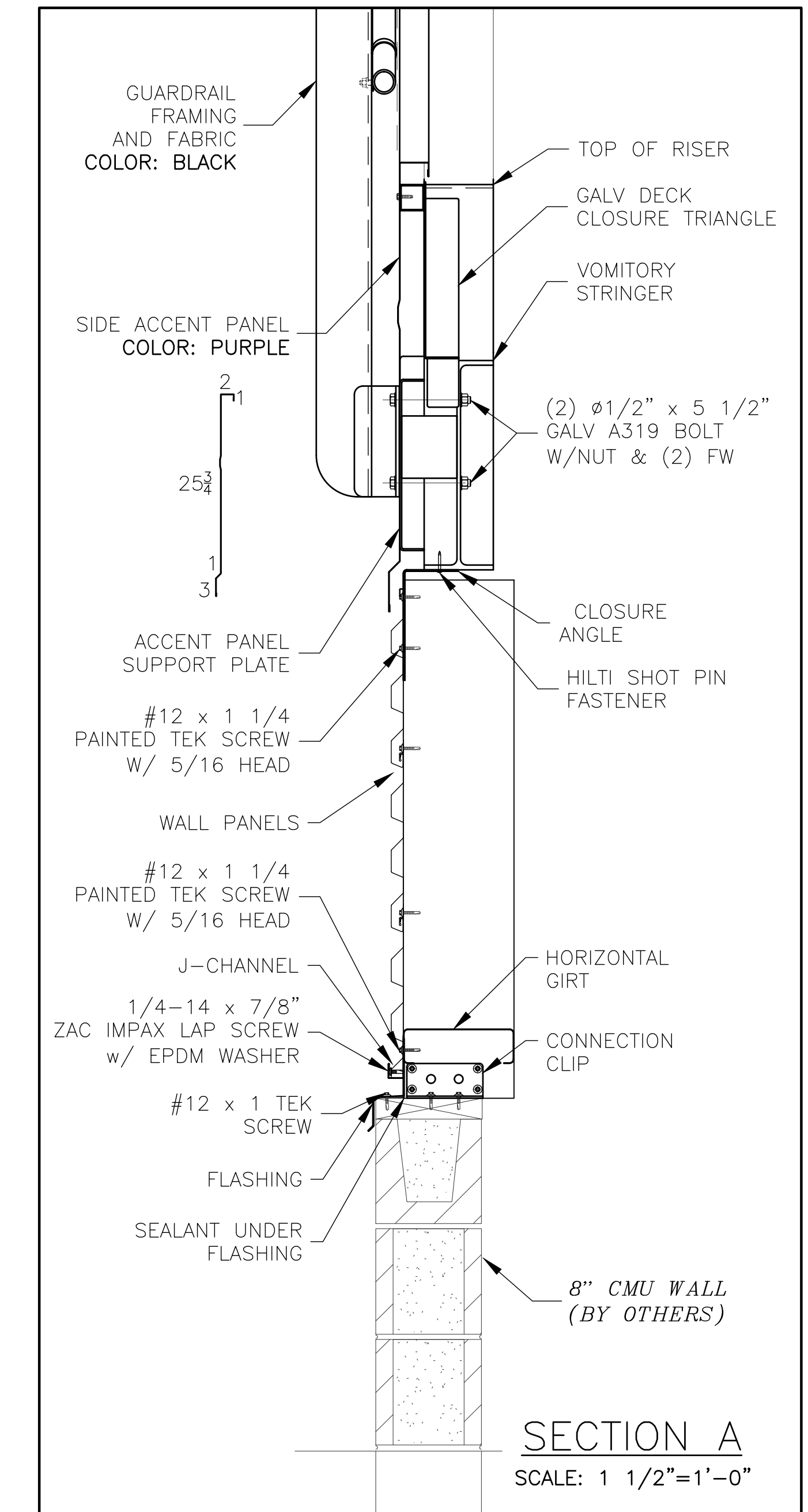
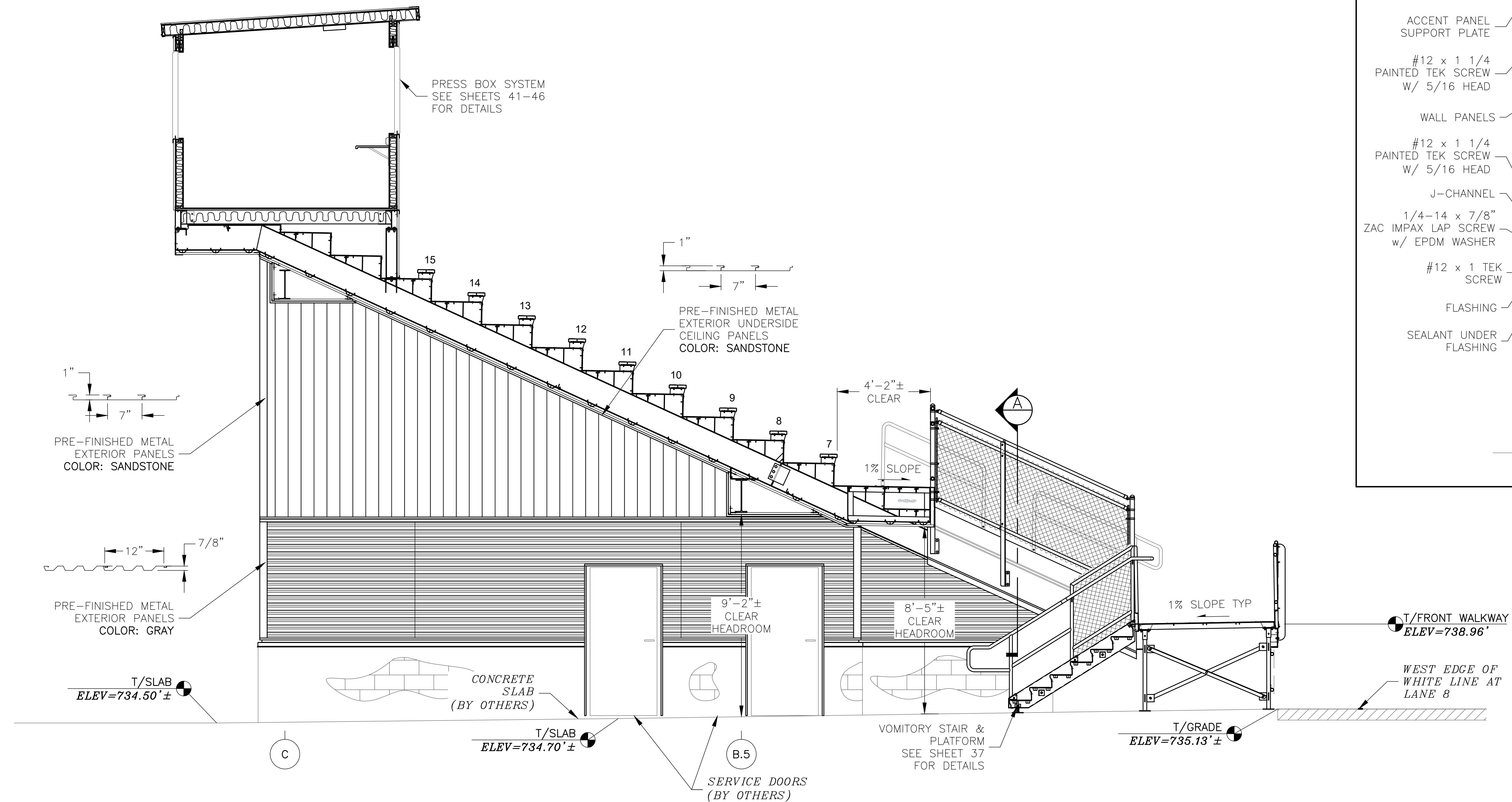


ENCLOSURE FRAMING
SCALE: 3/8" = 1'-0"

REV	DATE	DESCRIPTION	REV BY:
0	09-19-19	SUBMITTED FOR A/E REVIEW	ALR

JW INDUSTRIES INC.
 5662 Glendale Ave.
 Green Bay, WI 54313
 (920) 865-7307 Fax (920) 865-7777
 jwoffice@jwindustriesinc.com
"We provide everything except the spectators."

PROJECT:	STADIUM, PRESS BOX, & ENCLOSURE SYSTEMS
CLIENT:	DOWNERS GROVE NORTH COMMUNITY HIGH SCHOOL
CLIENT:	COMMUNITY HIGH SCHOOL DISTRICT 99
DESIGN FIRM:	RICE ENGINEERING, INC.
ARCHITECT:	WIGHT & COMPANY
JOB#:	19332
DATE:	09-19-19
DRAWN BY:	ALR/REI
SHEET NUMBER:	21 OF 46

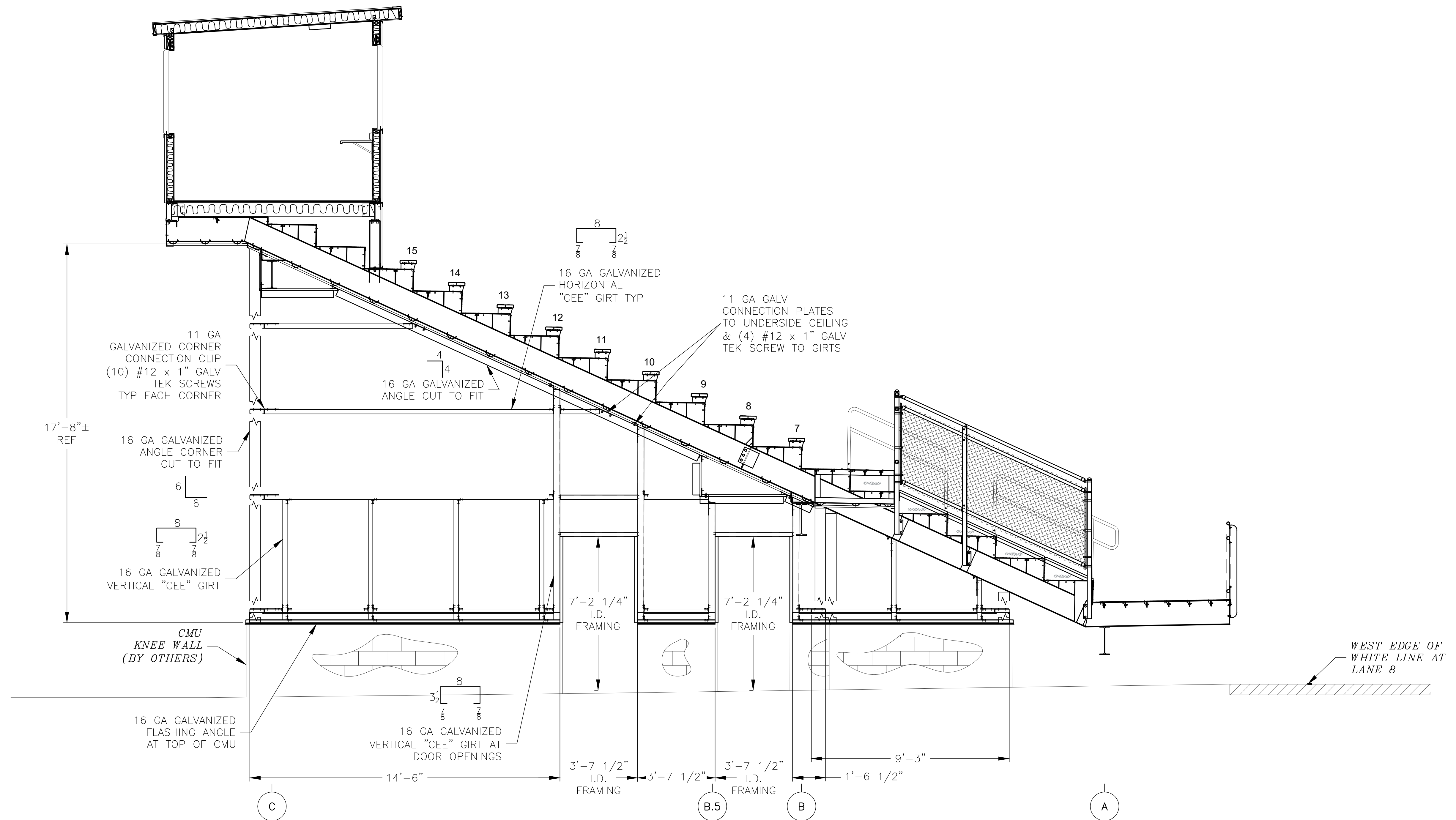


(K) VOMITORY SECTION (SOUTH)
 SCALE: 3/8" = 1'-0"
 (SEE SHEET 23 FOR ENCLOSURE WALL FRAMING)

REV	DATE	DESCRIPTION	REV BY:
0	09-19-19	SUBMITTED FOR A/E REVIEW	ALR

JW INDUSTRIES INC.
 5662 Glendale Ave.
 Green Bay, WI 54313
 (920) 865-7307 Fax (920) 865-7777
 jwoffice@jwindustriesinc.com
"We provide everything except the spectators."

PROJECT:	STADIUM, PRESS BOX, & ENCLOSURE SYSTEMS
CLIENT:	DOWNERS GROVE NORTH COMMUNITY HIGH SCHOOL
DESIGN FIRM:	COMMUNITY HIGH SCHOOL DISTRICT 99
ARCHITECT:	RICE ENGINEERING, INC.
JOB#:	WIGHT & COMPANY
DATE:	19332
DRAWN BY:	09-19-19 ALR/REI
SHEET NUMBER:	22 OF 46

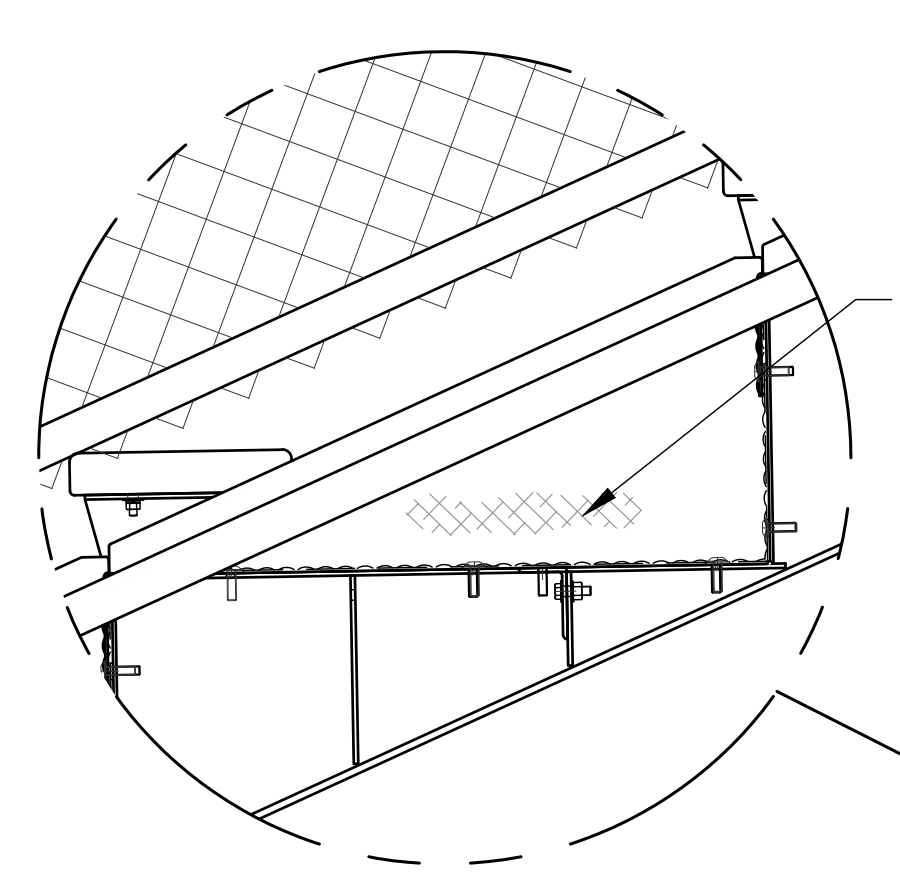
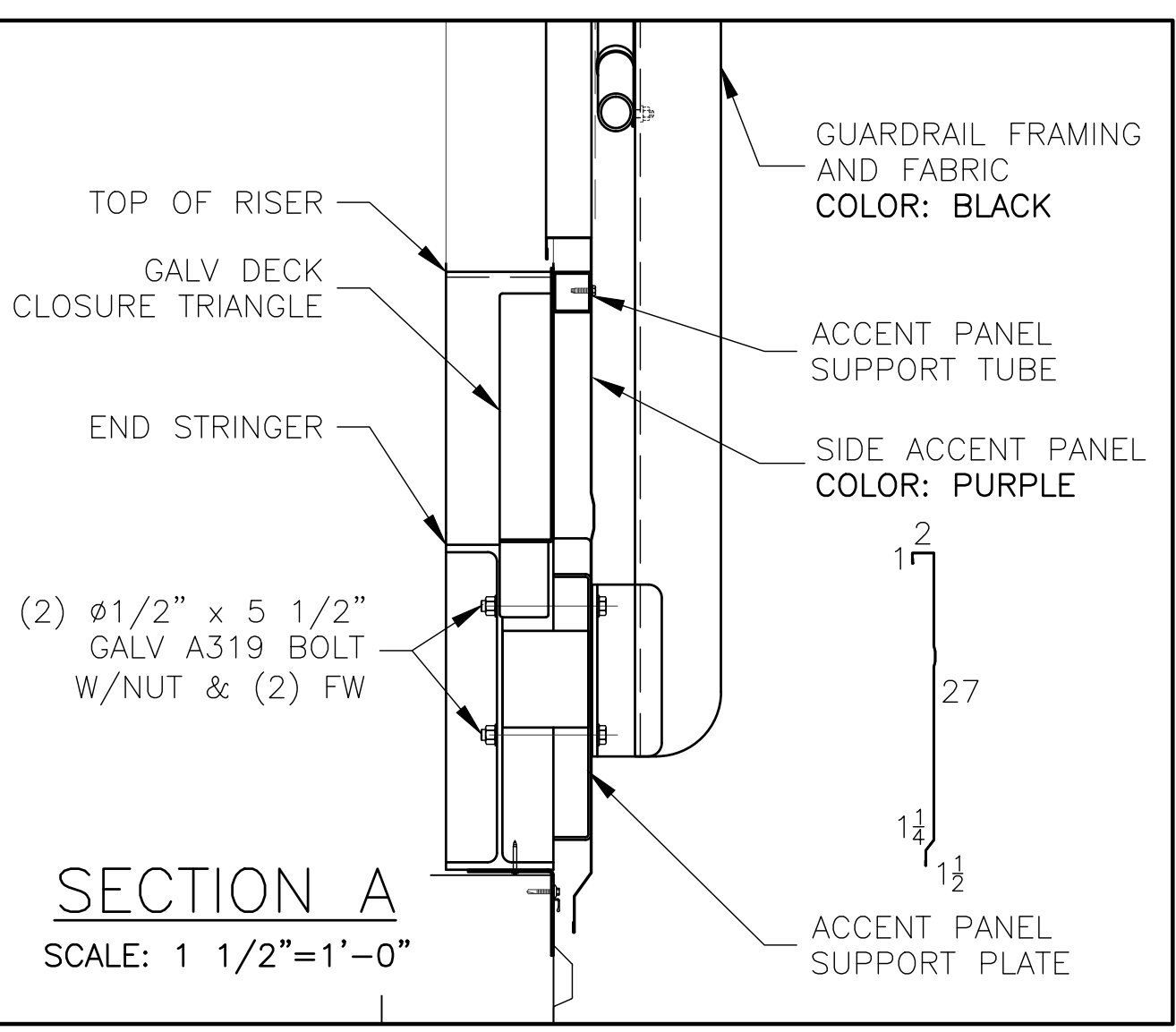
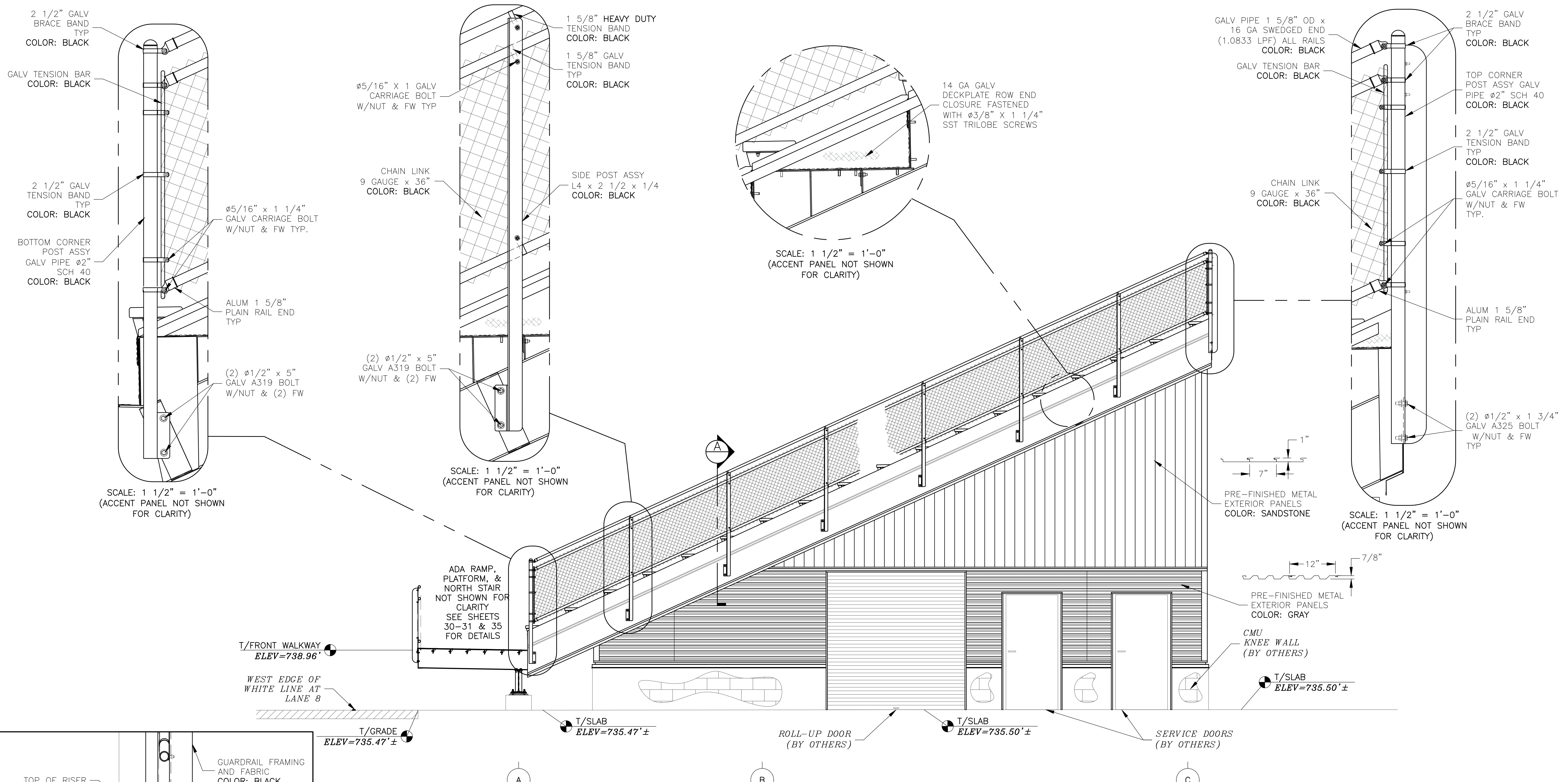


K ENCLOSURE FRAMING
SCALE: 3/8" = 1'-0"

REV	DATE	DESCRIPTION	REV BY:
0	09-19-19	SUBMITTED FOR A/E REVIEW	ALR

JW INDUSTRIES INC.
 5662 Glendale Ave.
 Green Bay, WI 54313
 (920) 865-7307 Fax (920) 865-7777
 jwoffice@jwindustriesinc.com
"We provide everything except the spectators."

PROJECT:	STADIUM, PRESS BOX, & ENCLOSURE SYSTEMS
CLIENT:	DOWNERS GROVE NORTH COMMUNITY HIGH SCHOOL
DESIGN FIRM:	COMMUNITY HIGH SCHOOL DISTRICT 99
ARCHITECT:	RICE ENGINEERING, INC.
JOB#:	WIGHT & COMPANY
DATE:	19332
DATE:	09-19-19
DRAWN BY:	ALR/REI
SHEET NUMBER:	23 OF 46



END ELEVATION (NORTH)
SCALE: 3/8" = 1'-0"
(SEE SHEET 25 FOR ENCLOSURE WALL FRAMING)

REV	DATE	DESCRIPTION	REV BY:
0	09-19-19	SUBMITTED FOR A/E REVIEW	ALR



JW INDUSTRIES INC.
5662 Glendale Ave.
Green Bay, WI 54313
(920) 865-7307 Fax (920) 865-7777
jwoffice@jwindustriesinc.com

"We provide everything except the spectators."

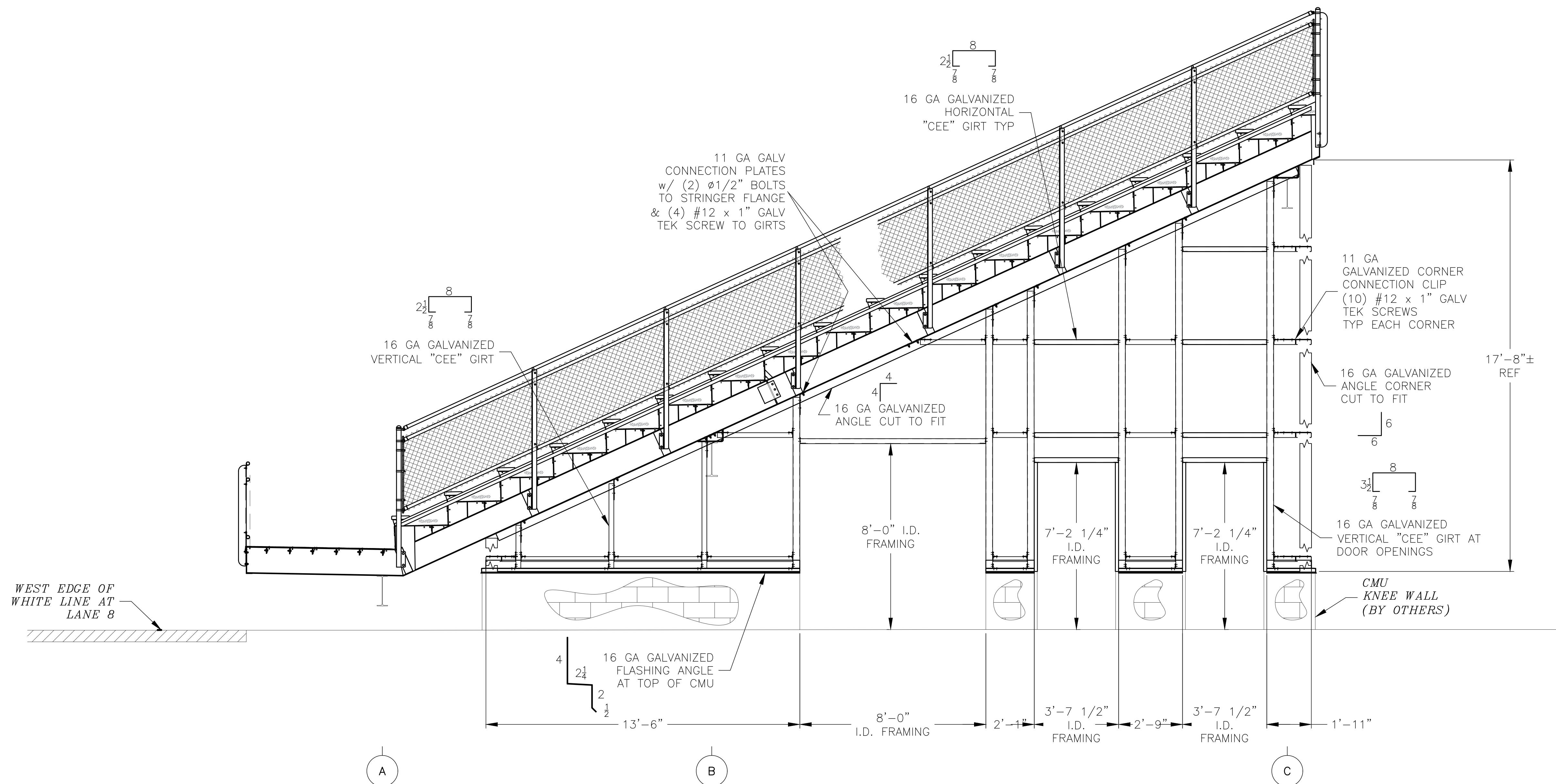
PROJECT: STADIUM, PRESS BOX, & ENCLOSURE SYSTEMS
DOWNERS GROVE NORTH COMMUNITY HIGH SCHOOL

CLIENT: COMMUNITY HIGH SCHOOL DISTRICT 99

DESIGN FIRM: RICE ENGINEERING, INC.

ARCHITECT: WIGHT & COMPANY

JOB#: 19332 DATE: 09-19-19 DRAWN BY: ALR/REI SHEET NUMBER: 24 OF 46

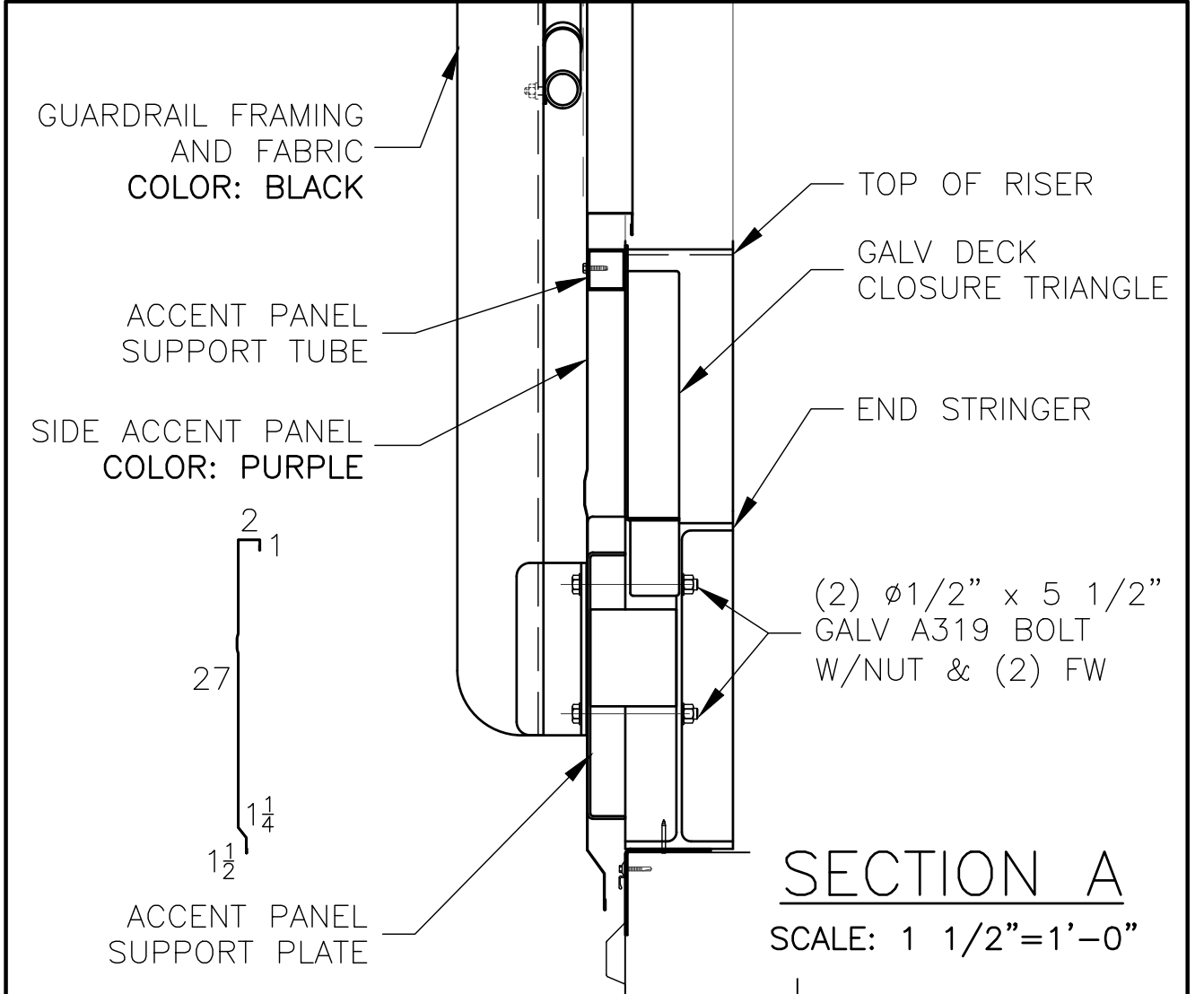
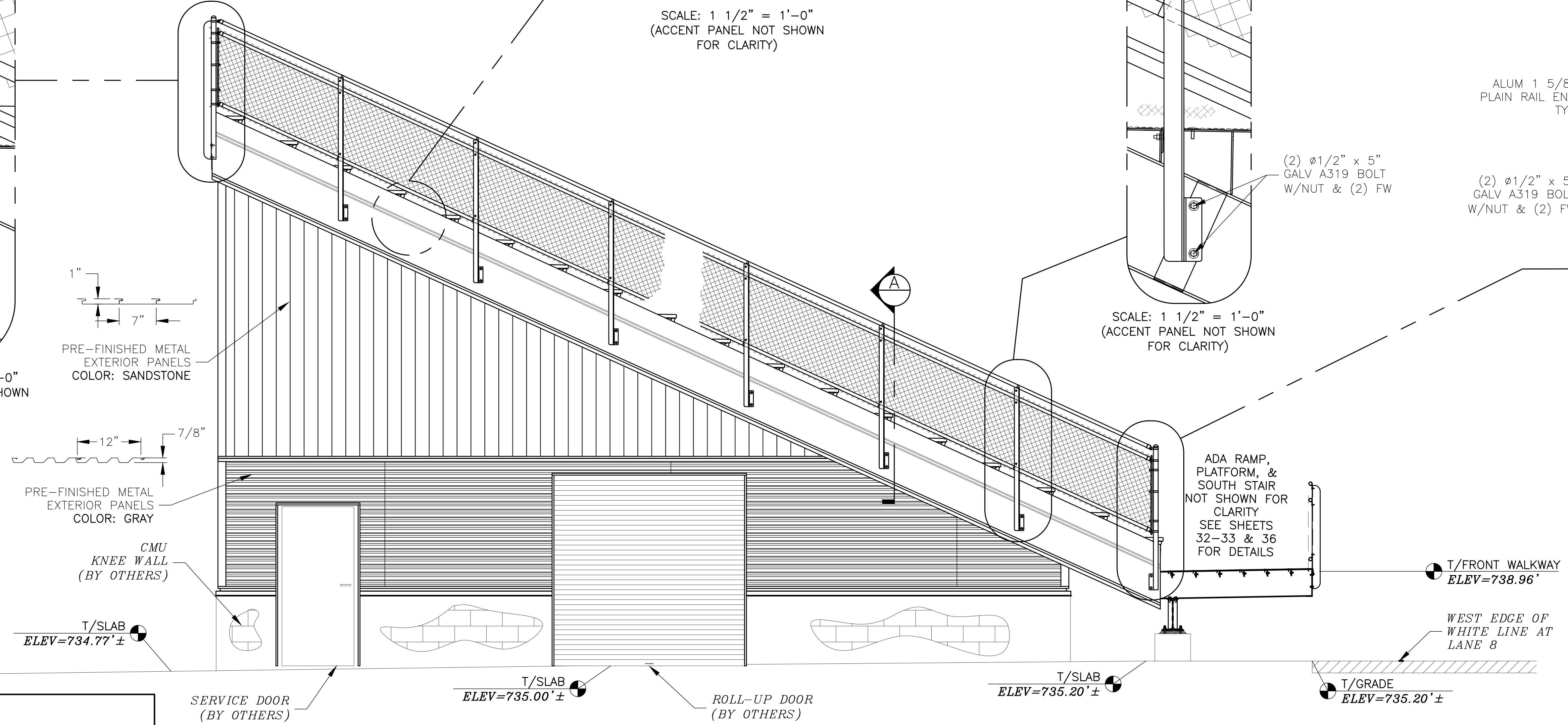
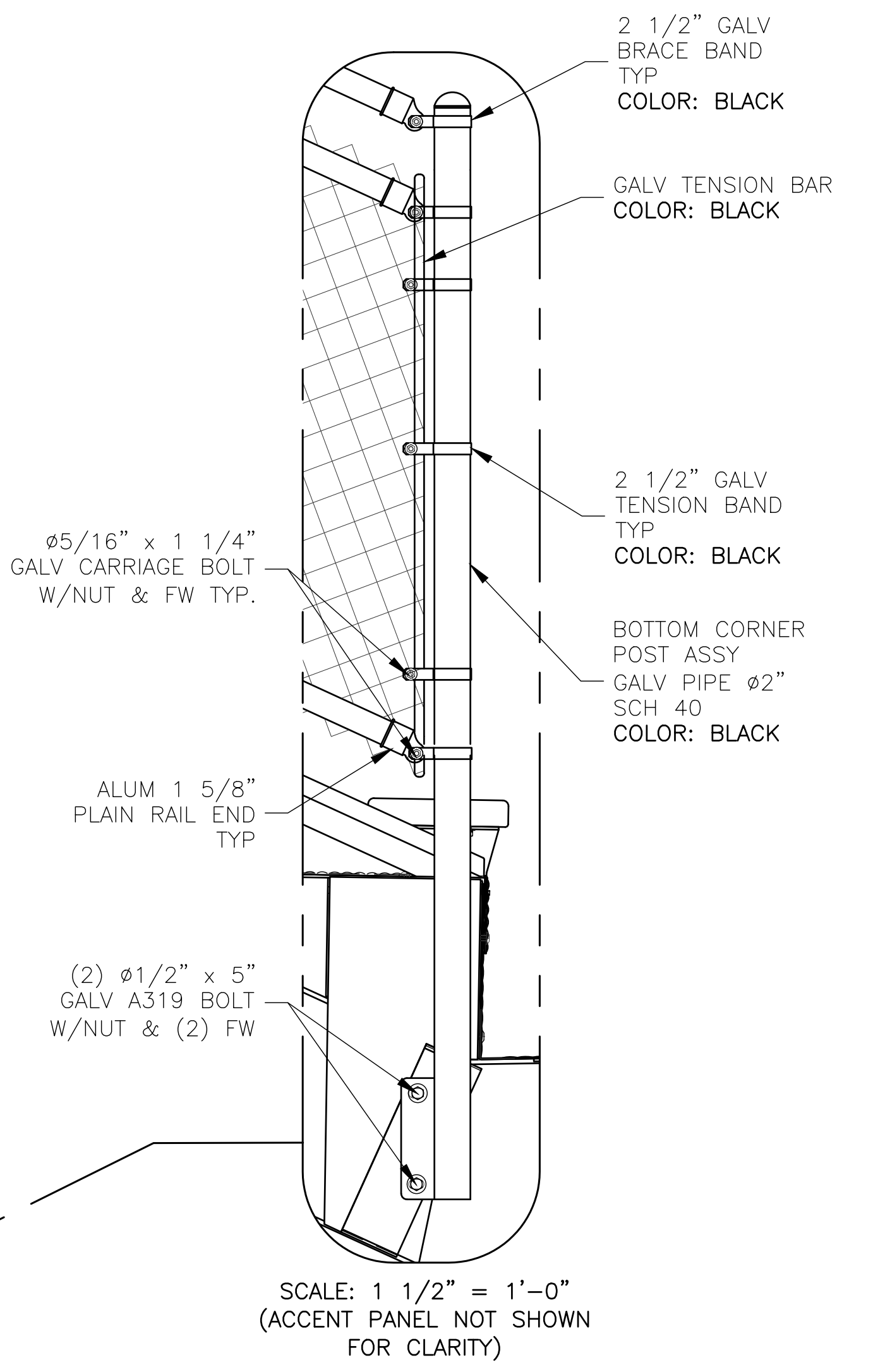
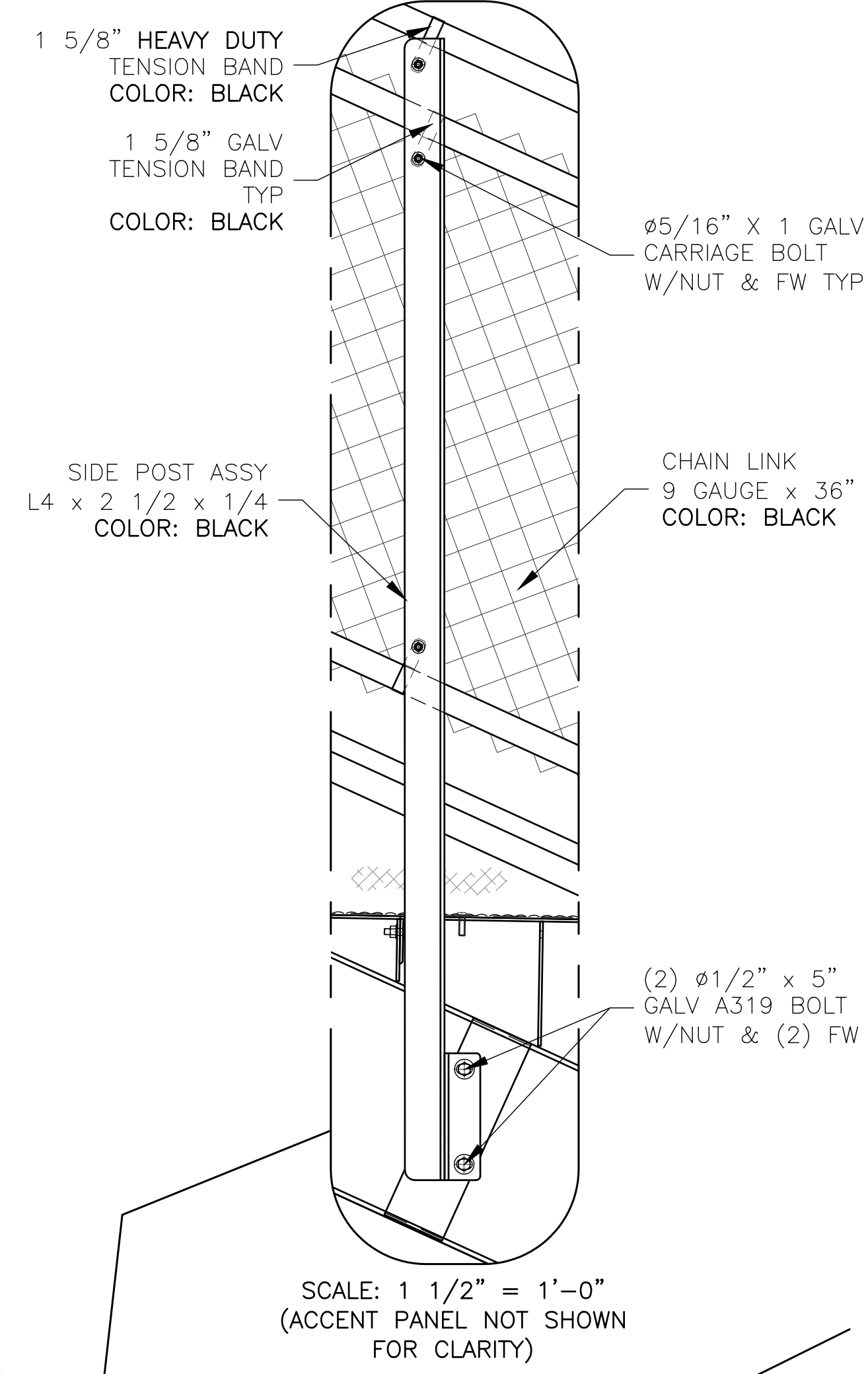
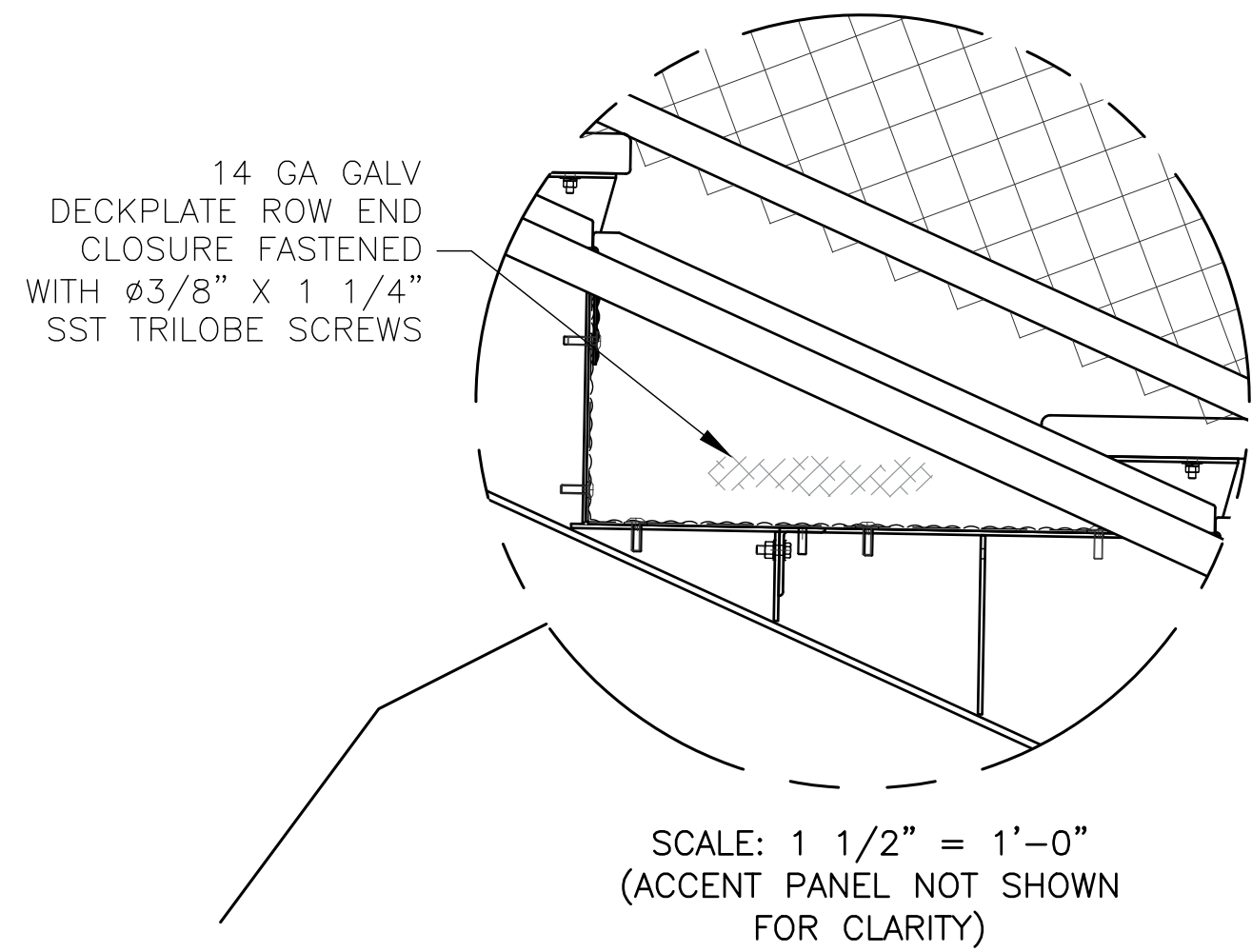
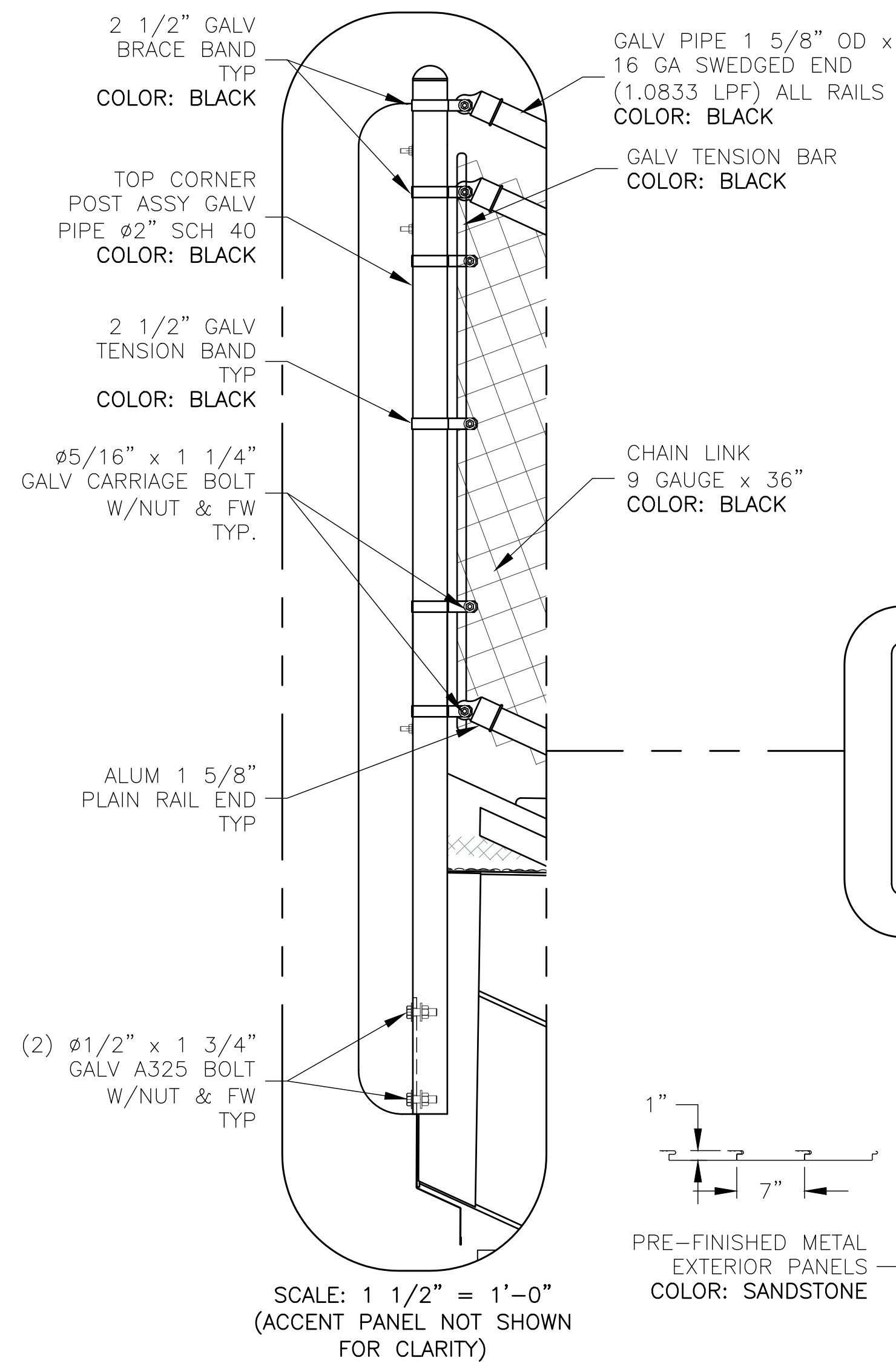


ENCLOSURE FRAMING
SCALE: 3/8" = 1'-0"

REV	DATE	DESCRIPTION	REV BY:
0	09-19-19	SUBMITTED FOR A/E REVIEW	ALR

JW INDUSTRIES INC.
 5662 Glendale Ave.
 Green Bay, WI 54313
 (920) 865-7307 Fax (920) 865-7777
 jwoffice@jwindustriesinc.com
"We provide everything except the spectators."

PROJECT:	STADIUM, PRESS BOX, & ENCLOSURE SYSTEMS
CLIENT:	DOWNERS GROVE NORTH COMMUNITY HIGH SCHOOL
DESIGN FIRM:	COMMUNITY HIGH SCHOOL DISTRICT 99
ARCHITECT:	RICE ENGINEERING, INC.
	WIGHT & COMPANY
JOB#: 19332	DATE: 09-19-19
DRAWN BY: ALR/REI	SHEET NUMBER: 25 OF 46

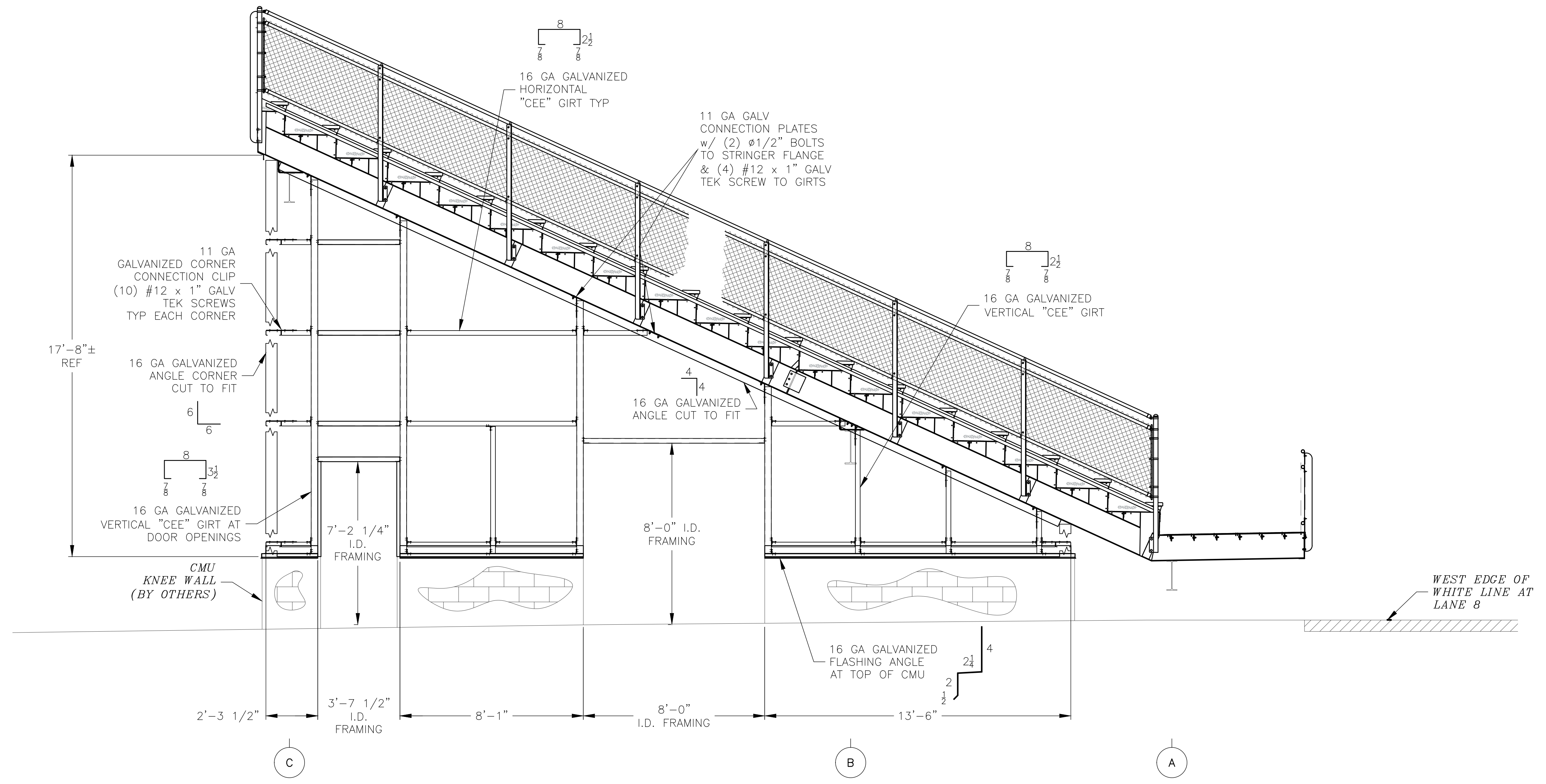


M END ELEVATION (SOUTH)
SCALE: 3/8" = 1'-0"
(SEE SHEET 27 FOR ENCLOSURE WALL FRAMING)

REV	DATE	DESCRIPTION	REV BY:
0	09-19-19	SUBMITTED FOR A/E REVIEW	ALR

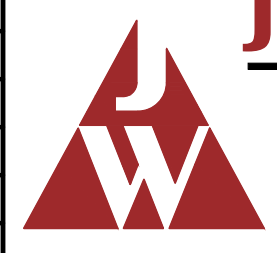
JW INDUSTRIES INC.
5662 Glendale Ave.
Green Bay, WI 54313
(920) 865-7307 Fax (920) 865-7777
jwoffice@jwindustriesinc.com
"We provide everything except the spectators."

PROJECT:	STADIUM, PRESS BOX, & ENCLOSURE SYSTEMS
CLIENT:	DOWNERS GROVE NORTH COMMUNITY HIGH SCHOOL
DESIGN FIRM:	COMMUNITY HIGH SCHOOL DISTRICT 99
ARCHITECT:	RICE ENGINEERING, INC.
	WIGHT & COMPANY
JOB#:	19332
DATE:	09-19-19
DRAWN BY:	ALR/REI
SHEET NUMBER:	26 OF 46



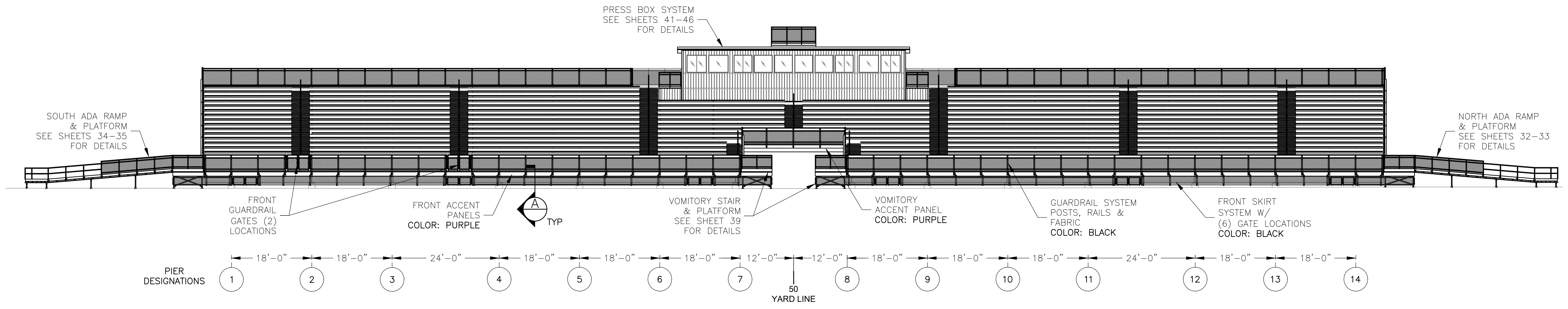
M ENCLOSURE FRAMING
SCALE: 3/8" = 1'-0"

REV	DATE	DESCRIPTION	REV BY:
0	09-19-19	SUBMITTED FOR A/E REVIEW	ALR

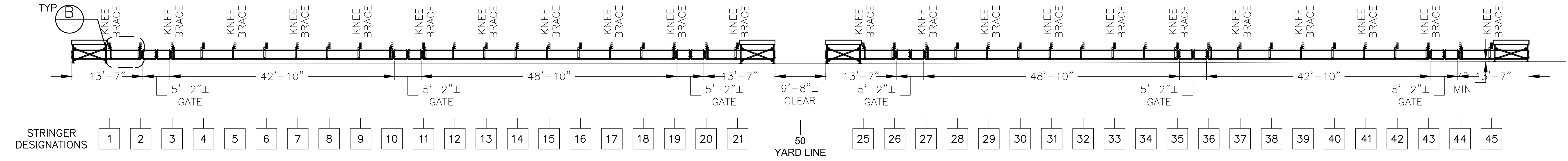


JW INDUSTRIES, INC.
5662 Glendale Ave.
Green Bay, WI 54313
(920) 865-7307 Fax (920) 865-7777
jwoffice@jwindustriesinc.com
"We provide everything except the spectators."

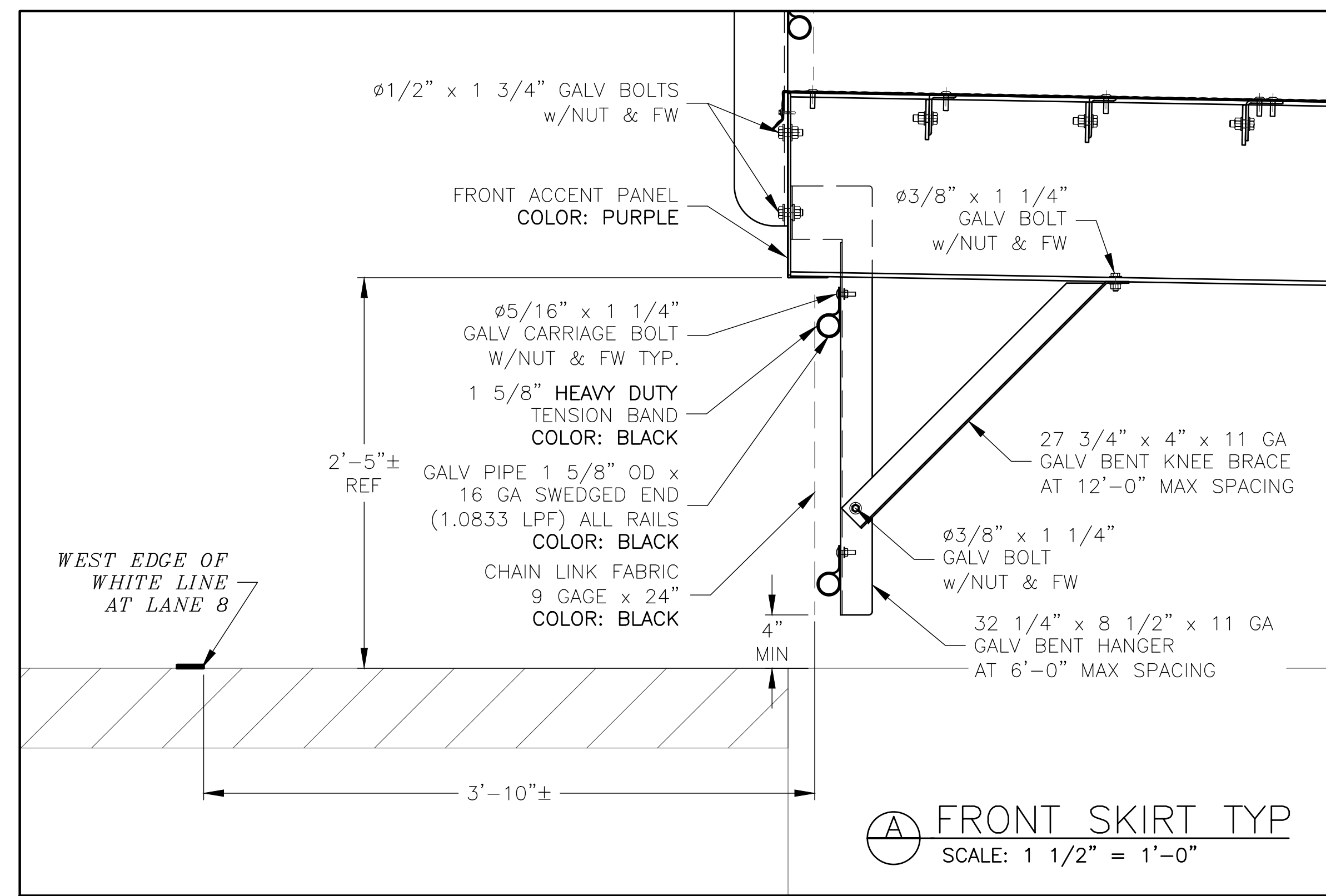
PROJECT:	STADIUM, PRESS BOX, & ENCLOSURE SYSTEMS
CLIENT:	DOWNERS GROVE NORTH COMMUNITY HIGH SCHOOL
DESIGN FIRM:	COMMUNITY HIGH SCHOOL DISTRICT 99
ARCHITECT:	RICE ENGINEERING, INC.
	WIGHT & COMPANY
JOB#: 19332	DATE: 09-19-19 DRAWN BY: ALR/REI SHEET NUMBER: 27 OF 46



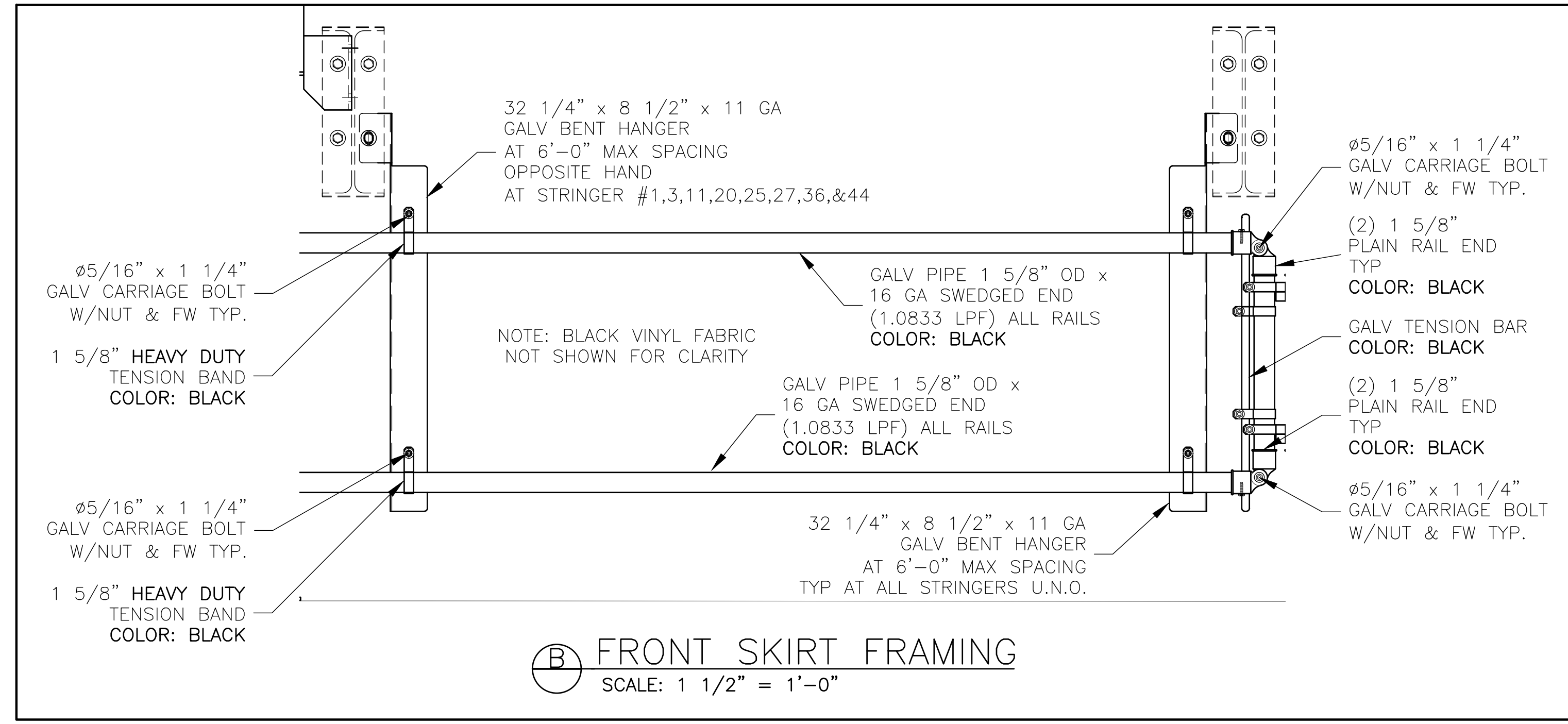
FRONT ELEVATION (EAST)
SCALE: 3/32" = 1'-0"



FRONT SKIRT FRAMING ELEVATION
SCALE: 1/8" = 1'-0"



FRONT SKIRT TYP
SCALE: 1 1/2" = 1'-0"

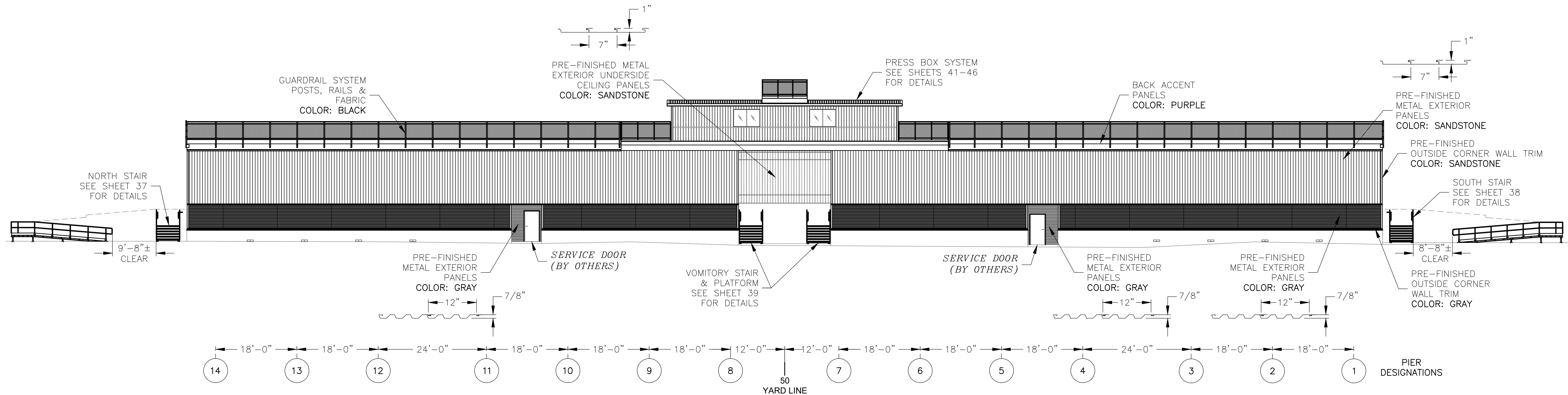


FRONT SKIRT FRAMING
SCALE: 1 1/2" = 1'-0"

REV	DATE	DESCRIPTION	REV BY:
0	09-19-19	SUBMITTED FOR A/E REVIEW	ALR

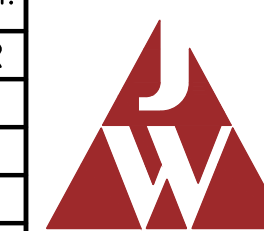
JW INDUSTRIES INC.
5662 Glendale Ave.
Green Bay, WI 54313
(920) 865-7307 Fax (920) 865-7777
jwoffice@jwindustriesinc.com
"We provide everything except the spectators."

PROJECT:	STADIUM, PRESS BOX, & ENCLOSURE SYSTEMS
CLIENT:	DOWNERS GROVE NORTH COMMUNITY HIGH SCHOOL
DESIGN FIRM:	COMMUNITY HIGH SCHOOL DISTRICT 99
ARCHITECT:	RICE ENGINEERING, INC.
	WIGHT & COMPANY
JOB#:	19332
DATE:	09-19-19
DRAWN BY:	ALR/REI
SHEET NUMBER:	28 OF 46



Ⓟ BACK ELEVATION (WEST)
 SCALE: 3/32" = 1'-0"
 (SEE SHEET 30 FOR ENCLOSURE WALL FRAMING)

REV	DATE	DESCRIPTION	REV BY:
0	09-19-19	SUBMITTED FOR A/E REVIEW	ALR

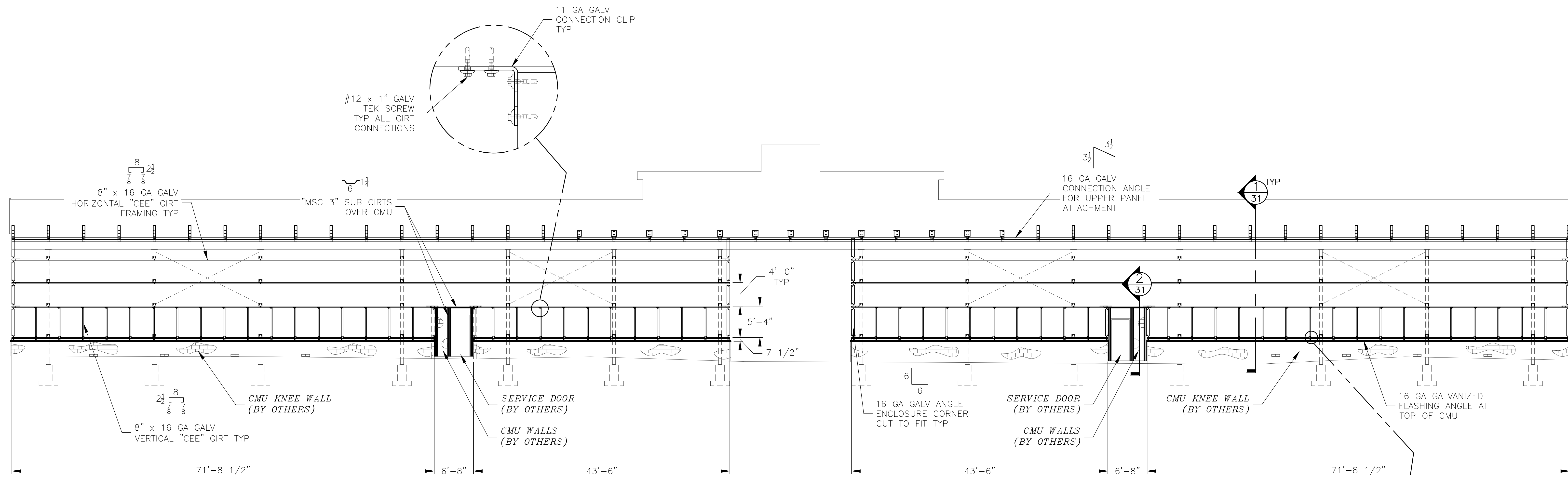


JW INDUSTRIES, INC.

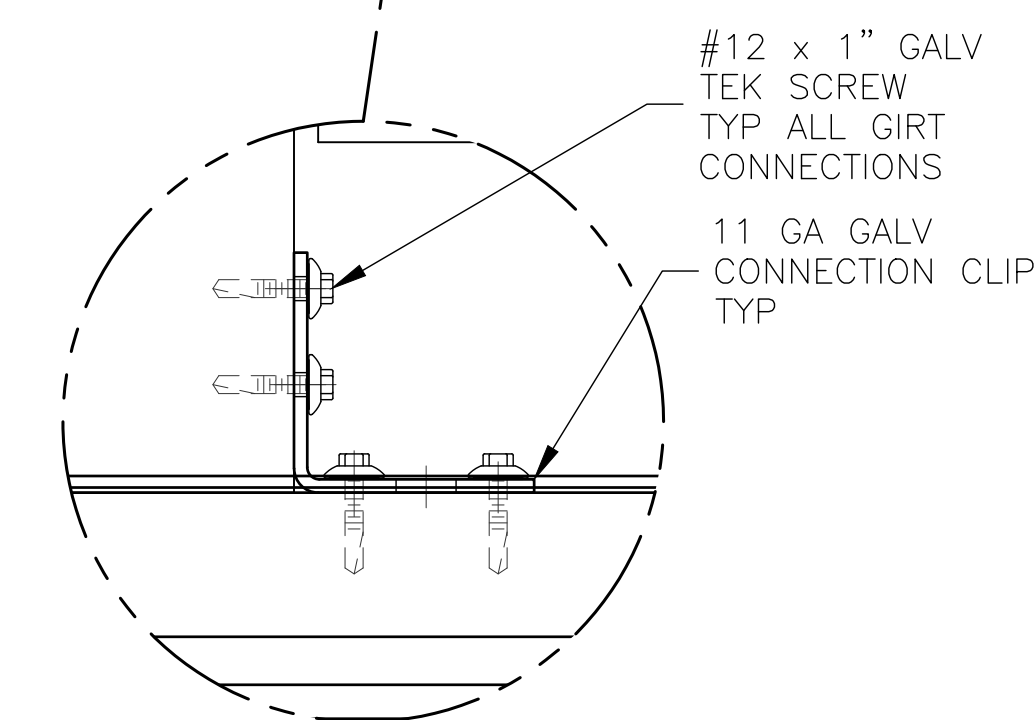
5662 Glendale Ave.
 Green Bay, WI 54313
 (920) 865-7307 Fax (920) 865-7777
 jwoffice@jwindustriesinc.com

"We provide everything except the spectators."

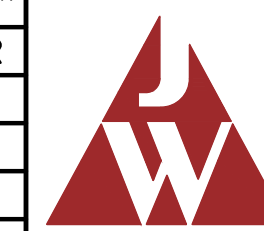
PROJECT:	STADIUM, PRESS BOX, & ENCLOSURE SYSTEMS
CLIENT:	DOWNERS GROVE NORTH COMMUNITY HIGH SCHOOL
DESIGN FIRM:	COMMUNITY HIGH SCHOOL DISTRICT 99
ARCHITECT:	RICE ENGINEERING, INC.
	WIGHT & COMPANY
JOB#: 19332	DATE: 09-19-19
DRAWN BY: ALR/REI	SHEET NUMBER: 29 OF 46



BACK ENCLOSURE FRAMING (WEST)
 SCALE: 1/8" = 1'-0"

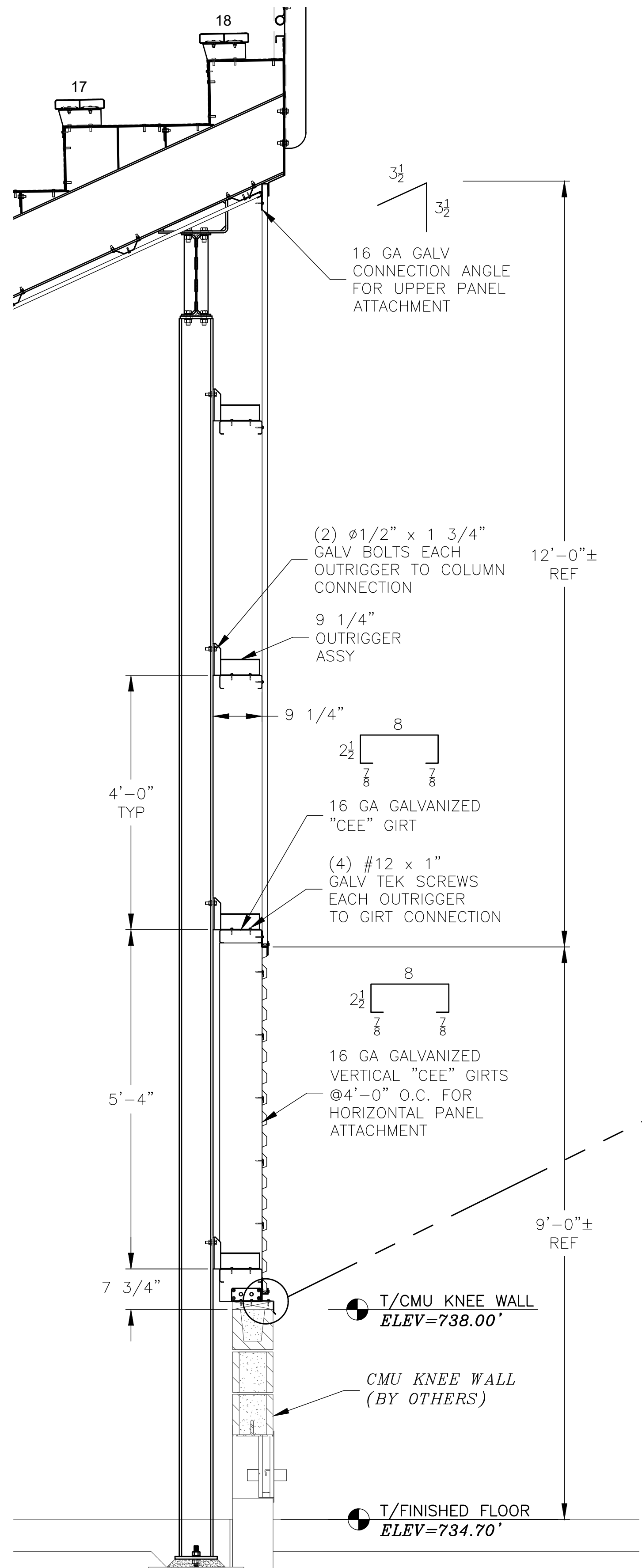


REV	DATE	DESCRIPTION	REV BY:
0	09-19-19	SUBMITTED FOR A/E REVIEW	ALR

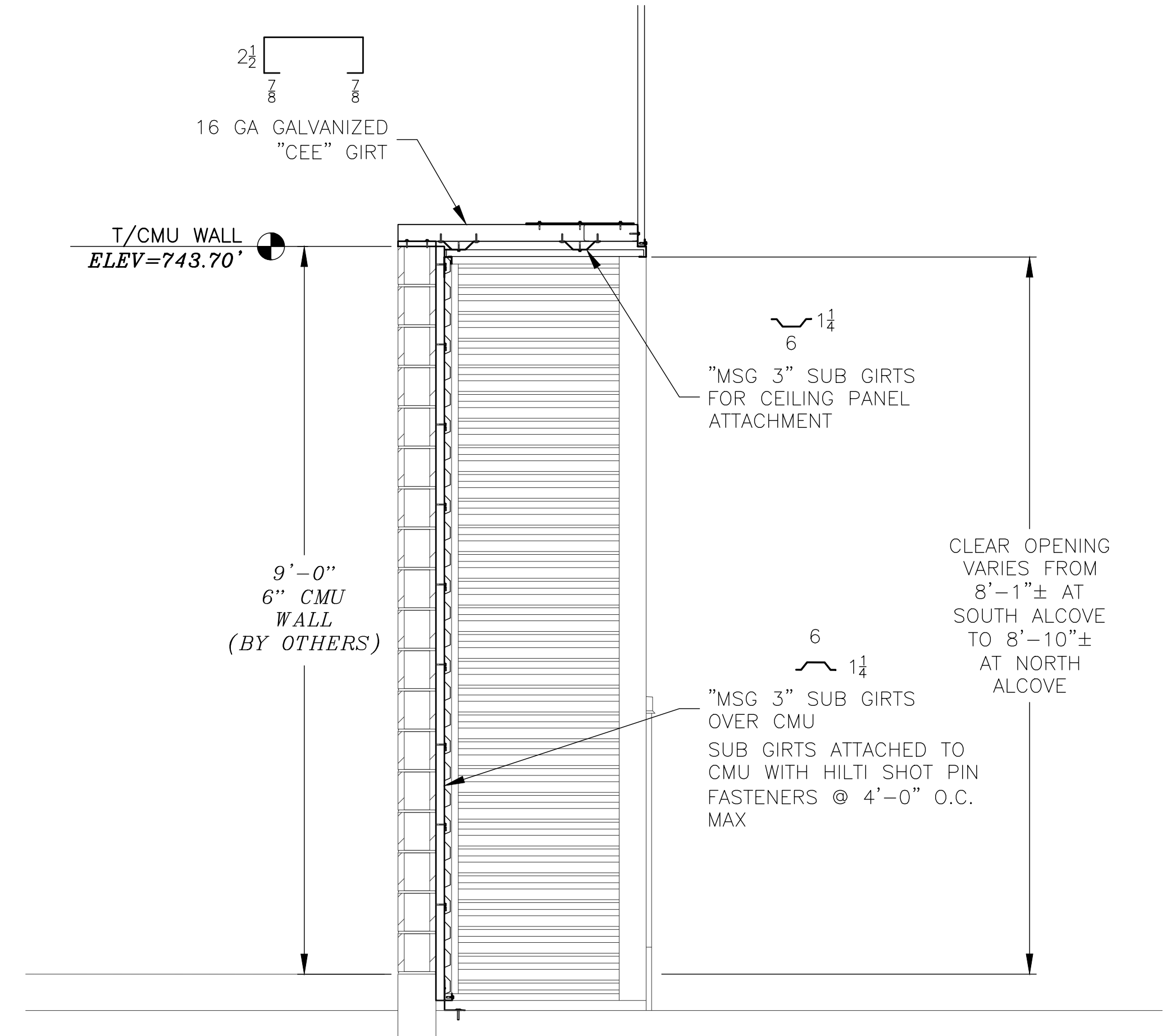
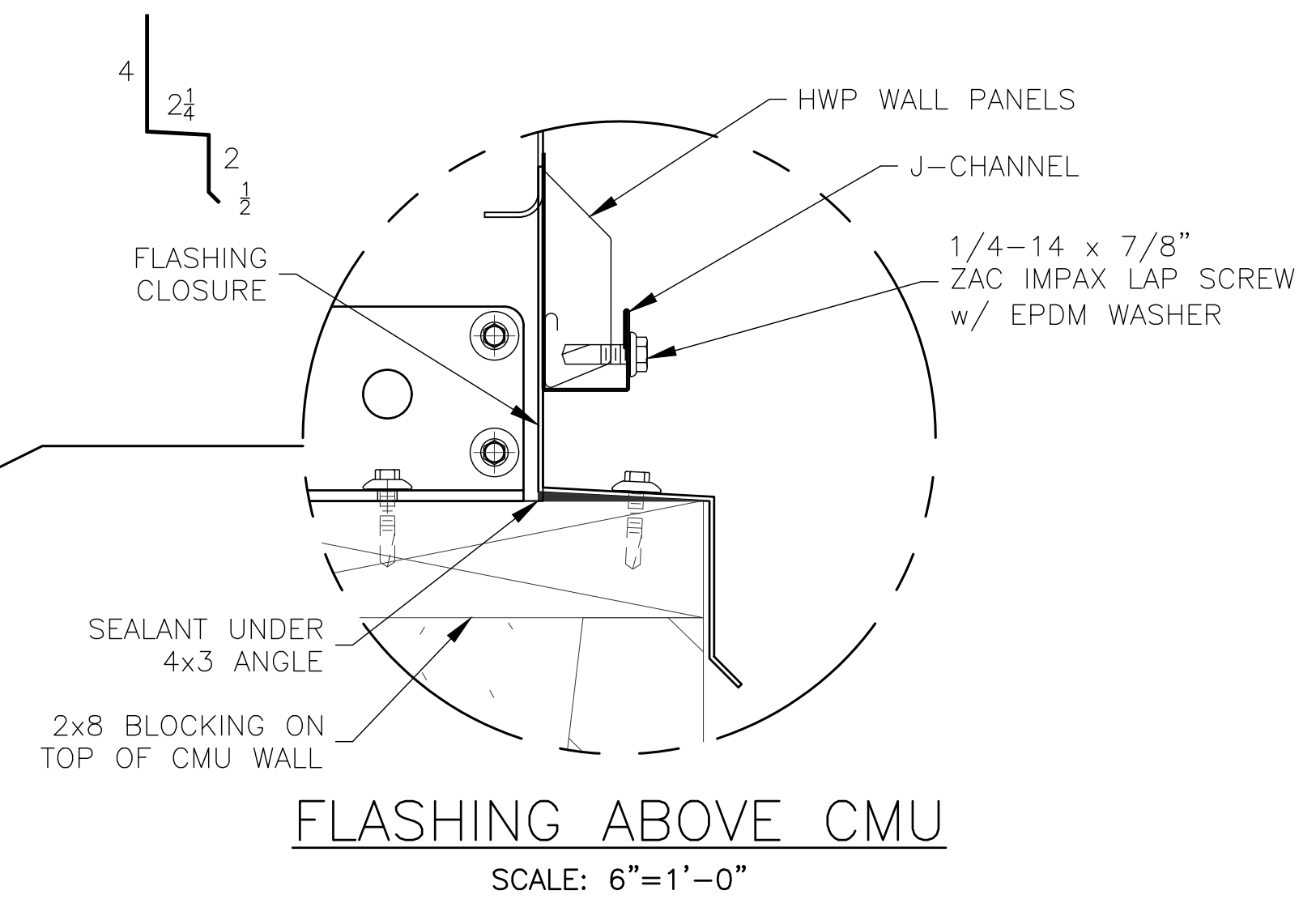


JW INDUSTRIES, INC.
 5662 Glendale Ave.
 Green Bay, WI 54313
 (920) 865-7307 Fax (920) 865-7777
 jwoffice@jwindustriesinc.com
 "We provide everything except the spectators."

PROJECT:	STADIUM, PRESS BOX, & ENCLOSURE SYSTEMS
CLIENT:	DOWNERS GROVE NORTH COMMUNITY HIGH SCHOOL
DESIGN FIRM:	COMMUNITY HIGH SCHOOL DISTRICT 99
ARCHITECT:	RICE ENGINEERING, INC.
	WIGHT & COMPANY
JOB#: 19332	DATE: 09-19-19
DRAWN BY: ALR/REI	SHEET NUMBER: 30 OF 46



① BACK WALL FRAMING TYP
SCALE: 3/4" = 1'-0"



② WALL FRAMING AT ALCOVE
SCALE: 3/4" = 1'-0"

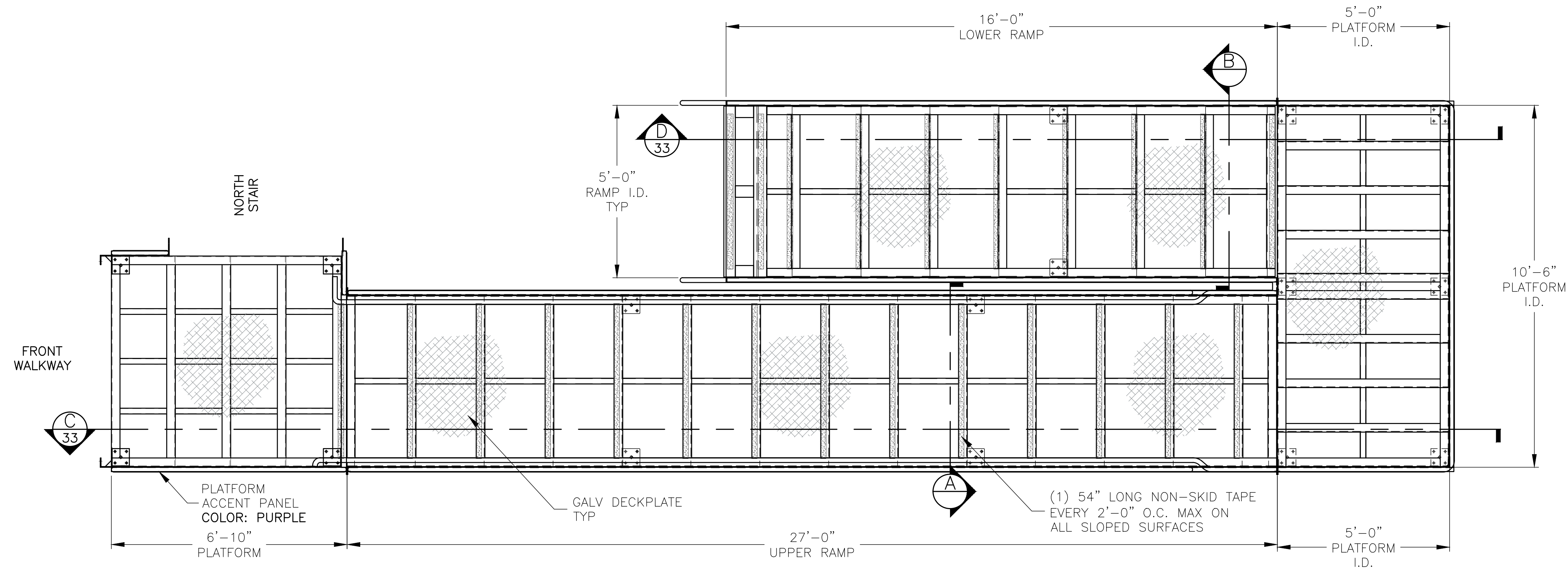
REV	DATE	DESCRIPTION	REV BY:
0	09-19-19	SUBMITTED FOR A/E REVIEW	ALR

JW INDUSTRIES INC.
 5662 Glendale Ave.
 Green Bay, WI 54313
 (920) 865-7307 Fax (920) 865-7777
 jwoffice@jwindustriesinc.com
"We provide everything except the spectators."

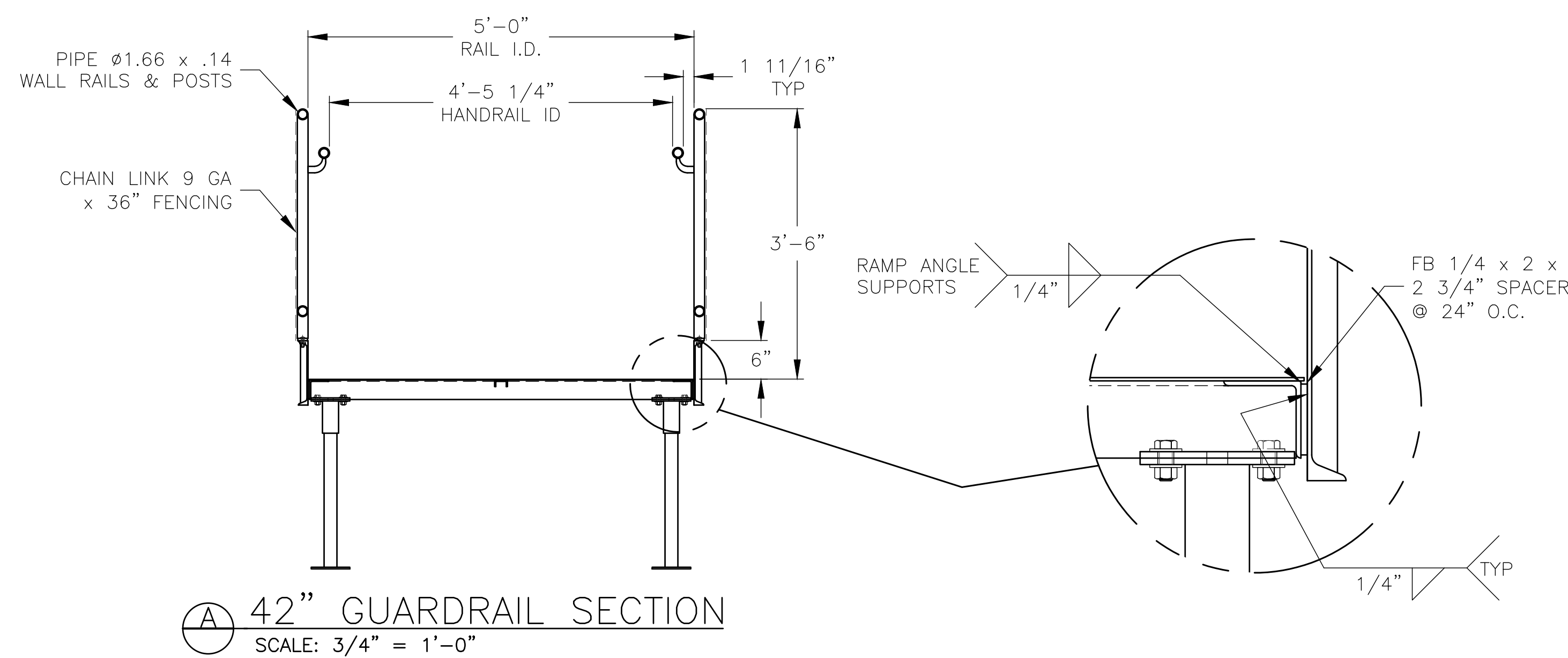
PROJECT:	STADIUM, PRESS BOX, & ENCLOSURE SYSTEMS
CLIENT:	DOWNERS GROVE NORTH COMMUNITY HIGH SCHOOL
DESIGN FIRM:	COMMUNITY HIGH SCHOOL DISTRICT 99
ARCHITECT:	RICE ENGINEERING, INC.
	WIGHT & COMPANY
JOB#: 19332	DATE: 09-19-19 DRAWN BY: ALR/REI SHEET NUMBER: 31 OF 46

TAPE NOTE:
 3M 2" WIDE SAFETY WALK GRIP TAPE - CONFORMABLE.
 LOCATED @ 2'-0" O.C. ON RAMP SURFACE.
 TAPE SHOULD BE 3" IN FROM EACH SIDE OF RAMP I.D.

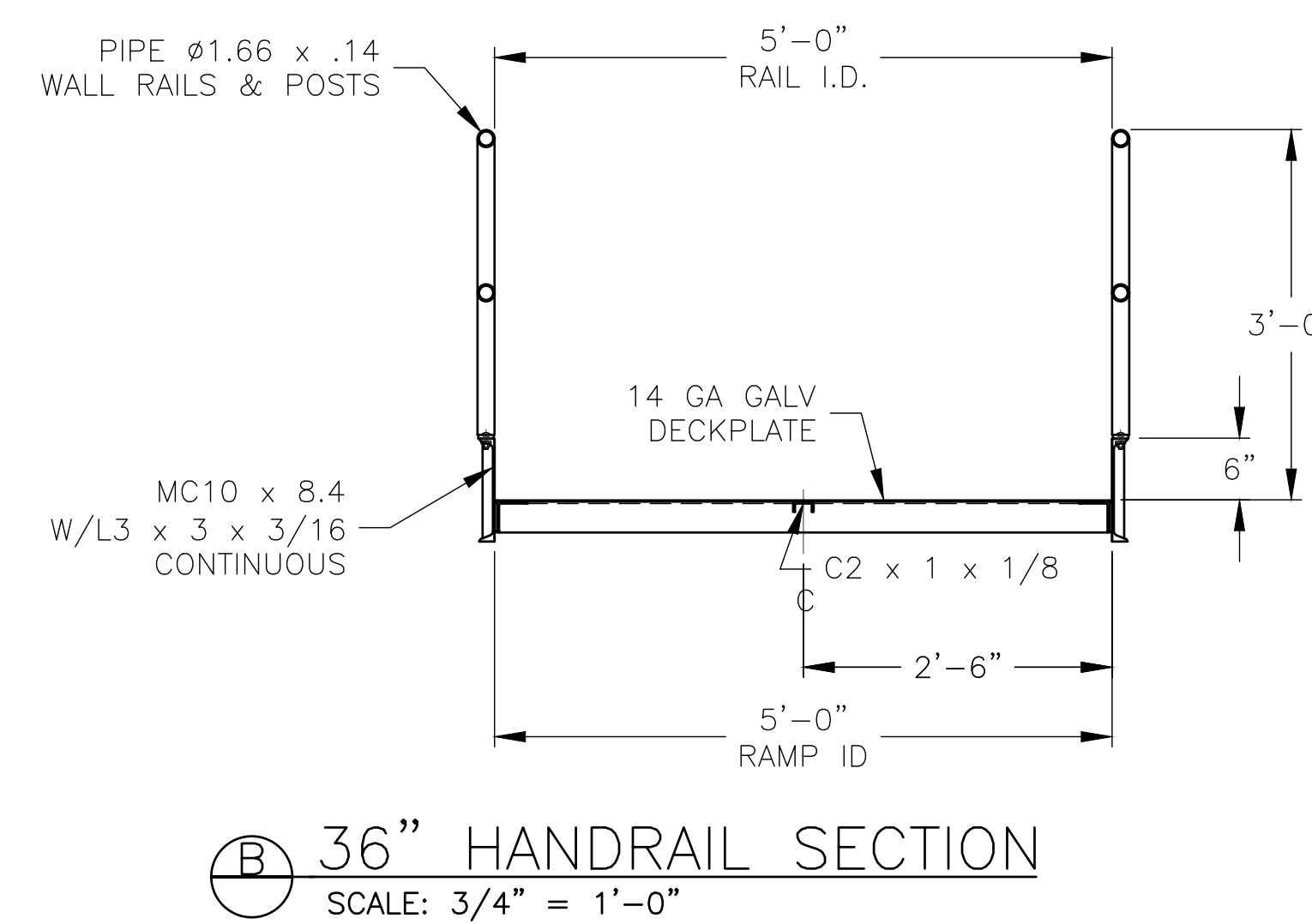
NOTE:
 WHEELCHAIR RAMP WIDTH = 5'-0" I.D.



① ADA RAMP PLAN VIEW - NORTH
 SCALE: 1/2" = 1'-0"



② 42" GUARDRAIL SECTION
 SCALE: 3/4" = 1'-0"

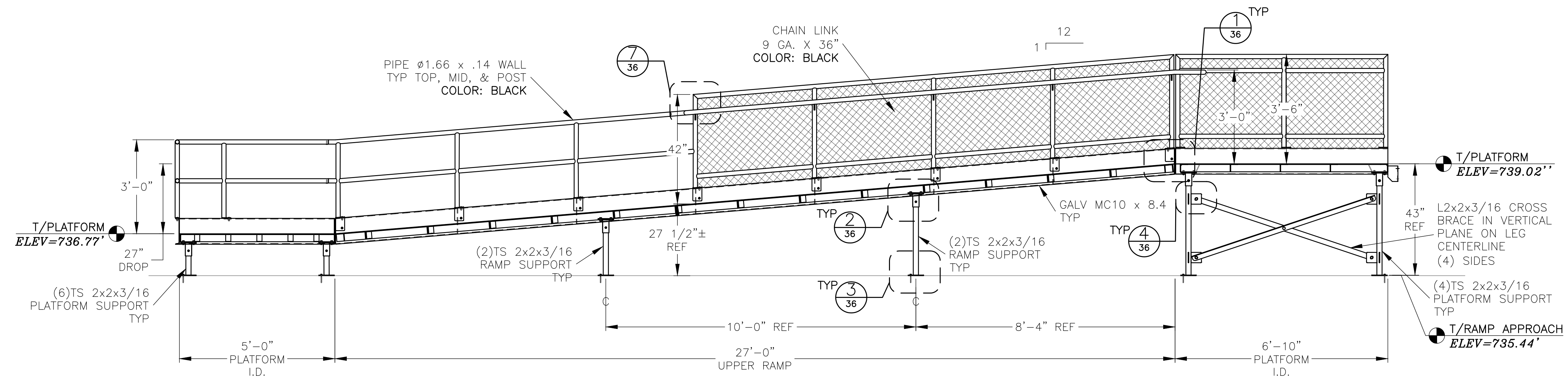


③ 36" HANDRAIL SECTION
 SCALE: 3/4" = 1'-0"

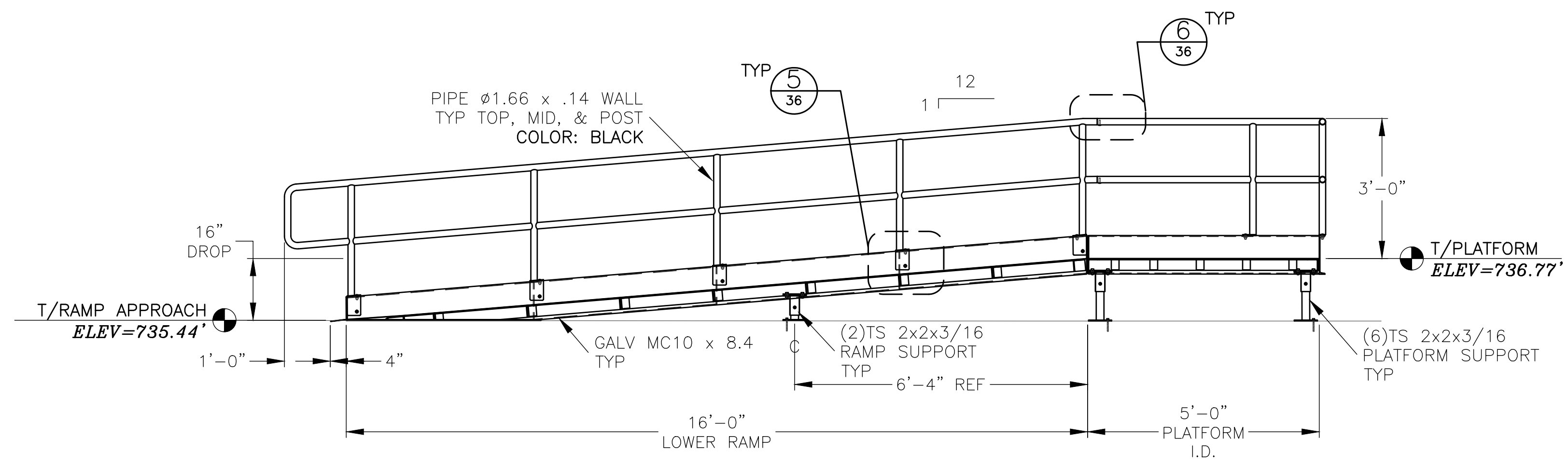
REV	DATE	DESCRIPTION	REV BY:
0	09-19-19	SUBMITTED FOR A/E REVIEW	ALR

JW INDUSTRIES INC.
 5662 Glendale Ave.
 Green Bay, WI 54313
 (920) 865-7307 Fax (920) 865-7777
 jwoffice@jwindustriesinc.com
"We provide everything except the spectators."

PROJECT:	STADIUM, PRESS BOX, & ENCLOSURE SYSTEMS
CLIENT:	DOWNERS GROVE NORTH COMMUNITY HIGH SCHOOL
DESIGN FIRM:	COMMUNITY HIGH SCHOOL DISTRICT 99
ARCHITECT:	RICE ENGINEERING, INC.
JOB#:	WIGHT & COMPANY
DATE:	19332
DRAWN BY:	09-19-19 ALR/REI
SHEET NUMBER:	32 OF 46



(C) UPPER RAMP - NORTH
SCALE: 1/2" = 1'-0"



(D) LOWER RAMP - NORTH
SCALE: 1/2" = 1'-0"

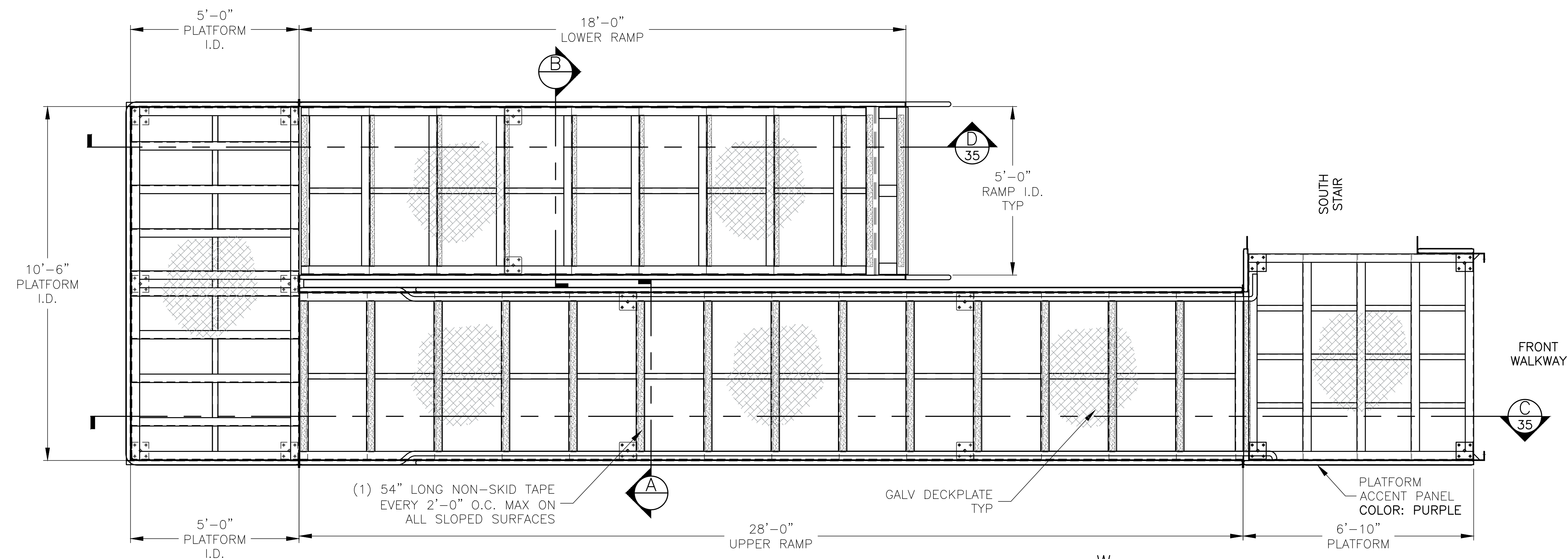
REV	DATE	DESCRIPTION	REV BY:
0	09-19-19	SUBMITTED FOR A/E REVIEW	ALR

JW INDUSTRIES INC.
 5662 Glendale Ave.
 Green Bay, WI 54313
 (920) 865-7307 Fax (920) 865-7777
 jwoffice@jwindustriesinc.com
"We provide everything except the spectators."

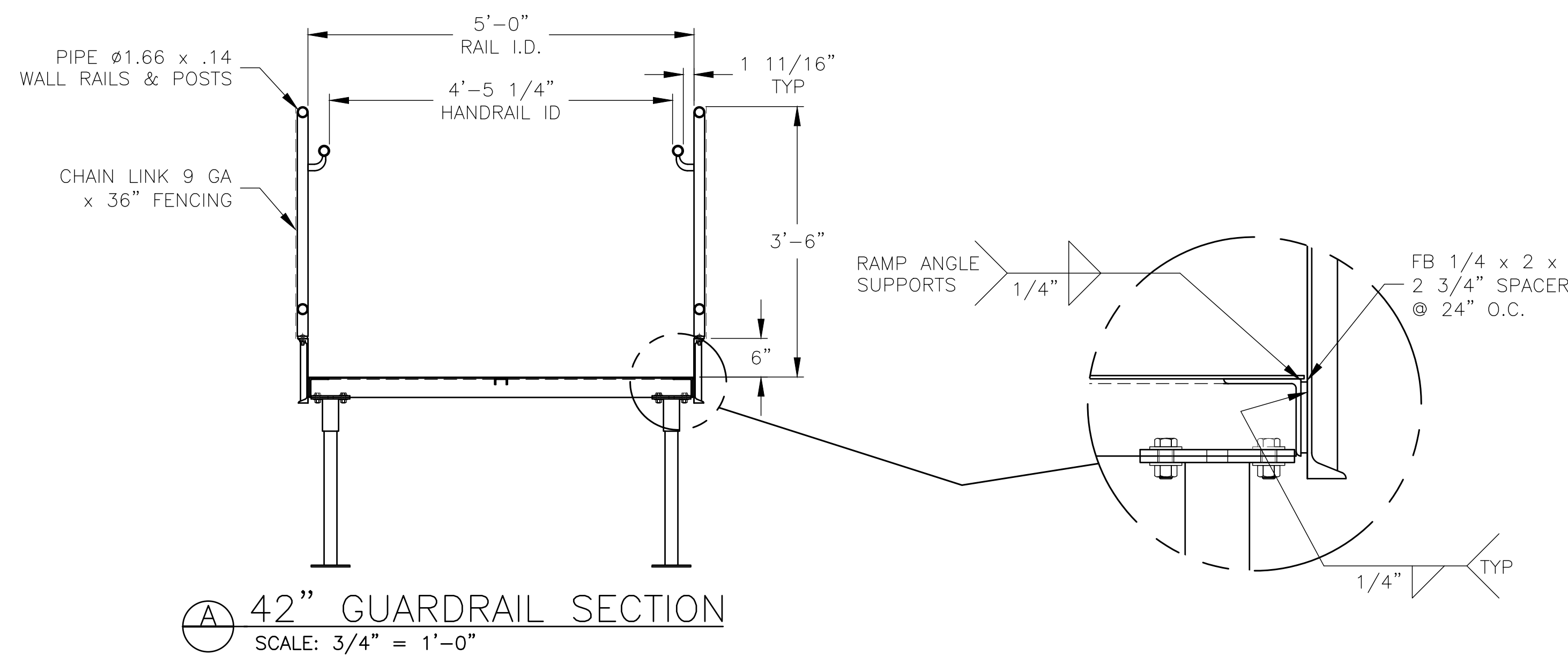
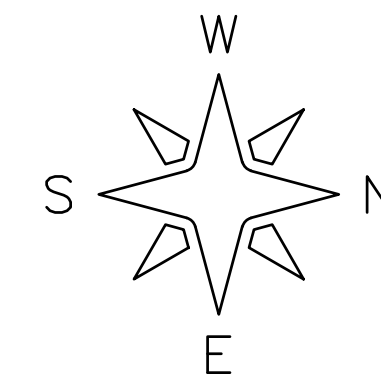
PROJECT:	STADIUM, PRESS BOX, & ENCLOSURE SYSTEMS
CLIENT:	DOWNERS GROVE NORTH COMMUNITY HIGH SCHOOL
DESIGN FIRM:	COMMUNITY HIGH SCHOOL DISTRICT 99
ARCHITECT:	RICE ENGINEERING, INC.
	WIGHT & COMPANY
JOB#: 19332	DATE: 09-19-19
DRAWN BY: ALR/REI	SHEET NUMBER: 33 OF 46

TAPE NOTE:
 3M 2" WIDE SAFETY WALK GRIP TAPE - CONFORMABLE.
 LOCATED @ 2'-0" O.C. ON RAMP SURFACE.
 TAPE SHOULD BE 3" IN FROM EACH SIDE OF RAMP I.D.

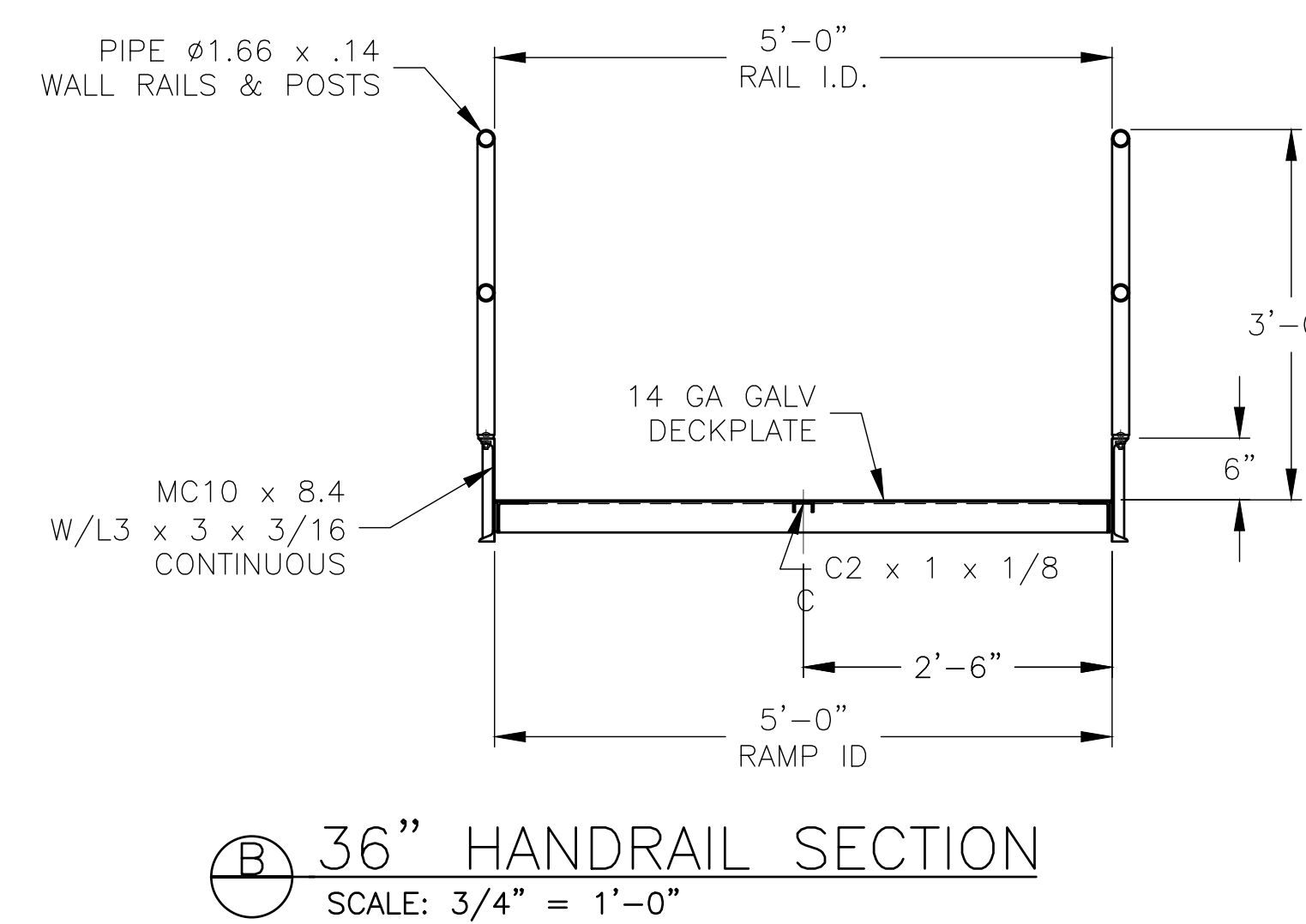
NOTE:
 WHEELCHAIR RAMP WIDTH = 5'-0" I.D.



① ADA RAMP PLAN VIEW - SOUTH
 SCALE: 1/2" = 1'-0"



④ 42" GUARDRAIL SECTION
 SCALE: 3/4" = 1'-0"

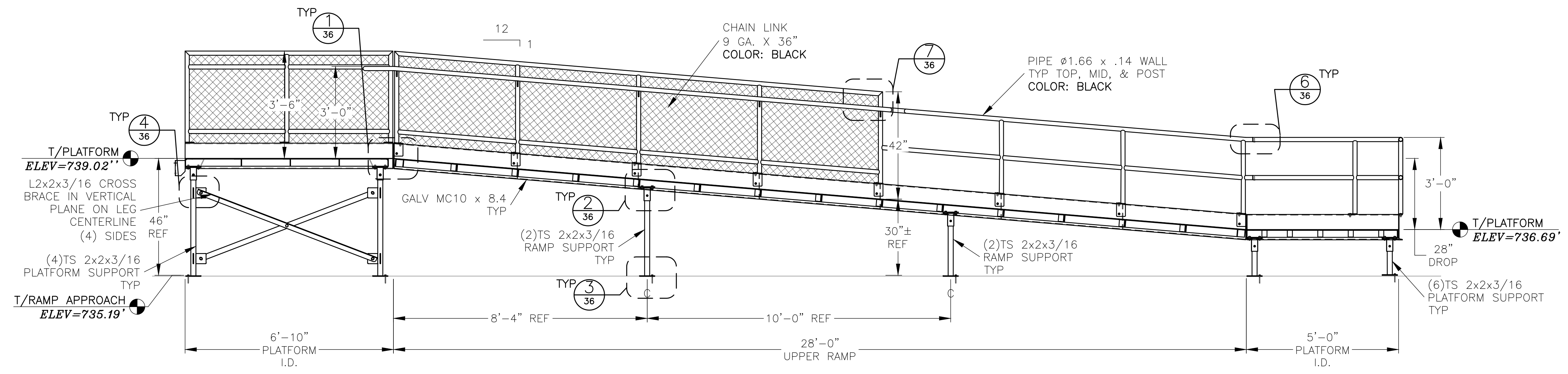


⑤ 36" HANDRAIL SECTION
 SCALE: 3/4" = 1'-0"

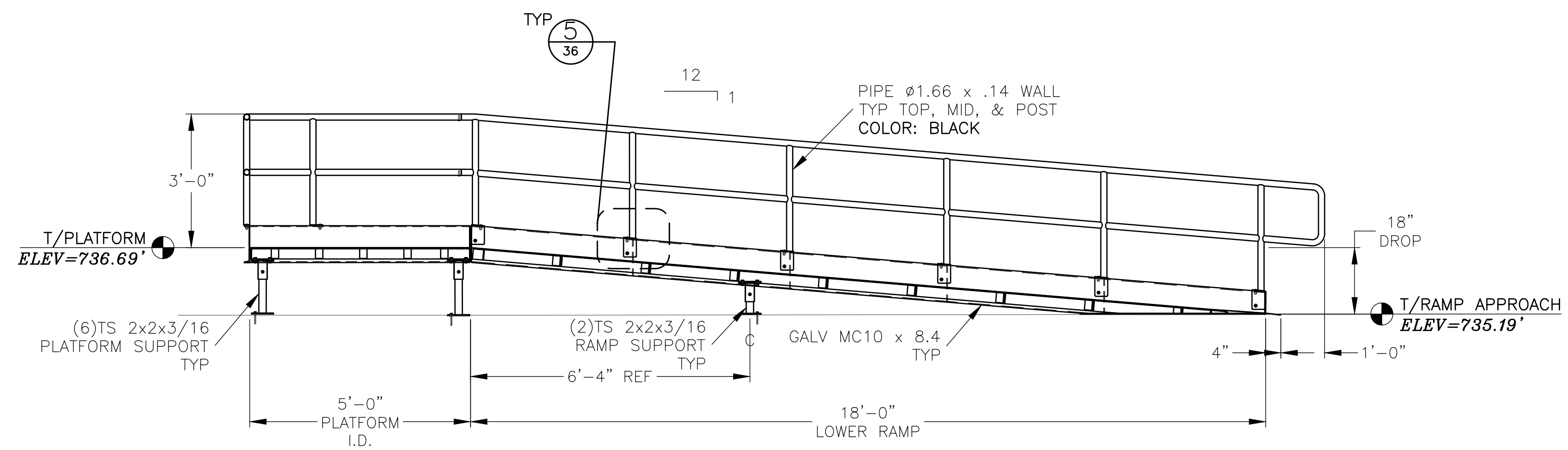
REV	DATE	DESCRIPTION	REV BY:
0	09-19-19	SUBMITTED FOR A/E REVIEW	ALR

JW INDUSTRIES INC.
 5662 Glendale Ave.
 Green Bay, WI 54313
 (920) 865-7307 Fax (920) 865-7777
 jwoffice@jwindustriesinc.com
"We provide everything except the spectators."

PROJECT:	STADIUM, PRESS BOX, & ENCLOSURE SYSTEMS
CLIENT:	DOWNERS GROVE NORTH COMMUNITY HIGH SCHOOL
DESIGN FIRM:	COMMUNITY HIGH SCHOOL DISTRICT 99
ARCHITECT:	RICE ENGINEERING, INC.
	WIGHT & COMPANY
JOB#: 19332	DATE: 09-19-19 DRAWN BY: ALR/REI SHEET NUMBER: 34 OF 46



Ⓢ UPPER RAMP - SOUTH
SCALE: 1/2" = 1'-0"

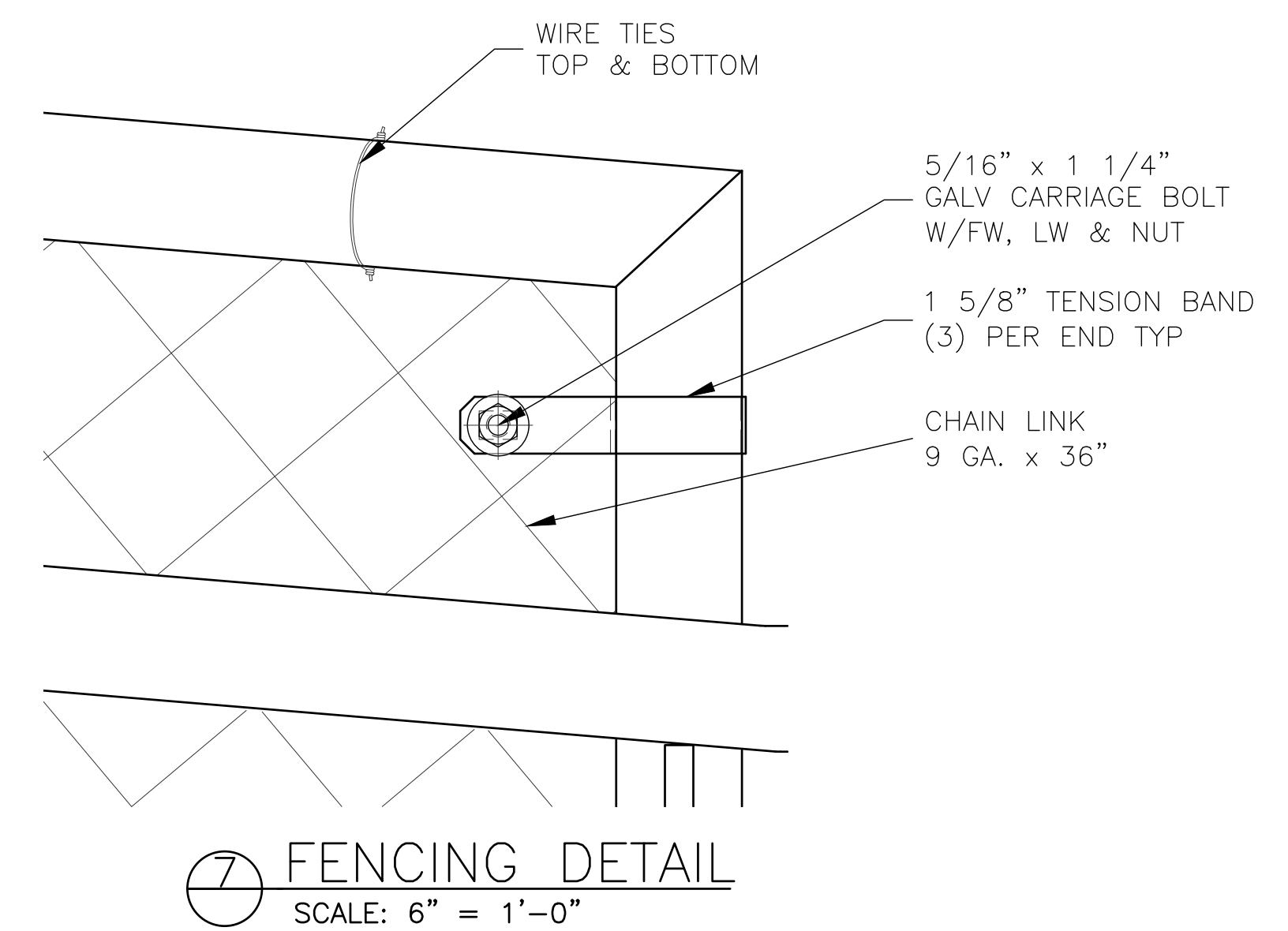
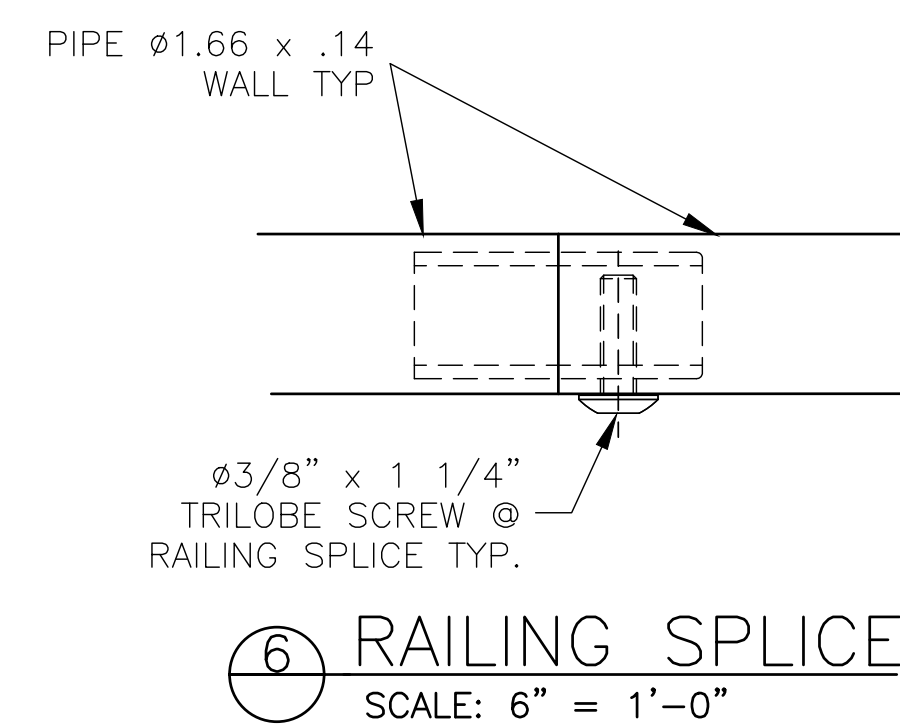
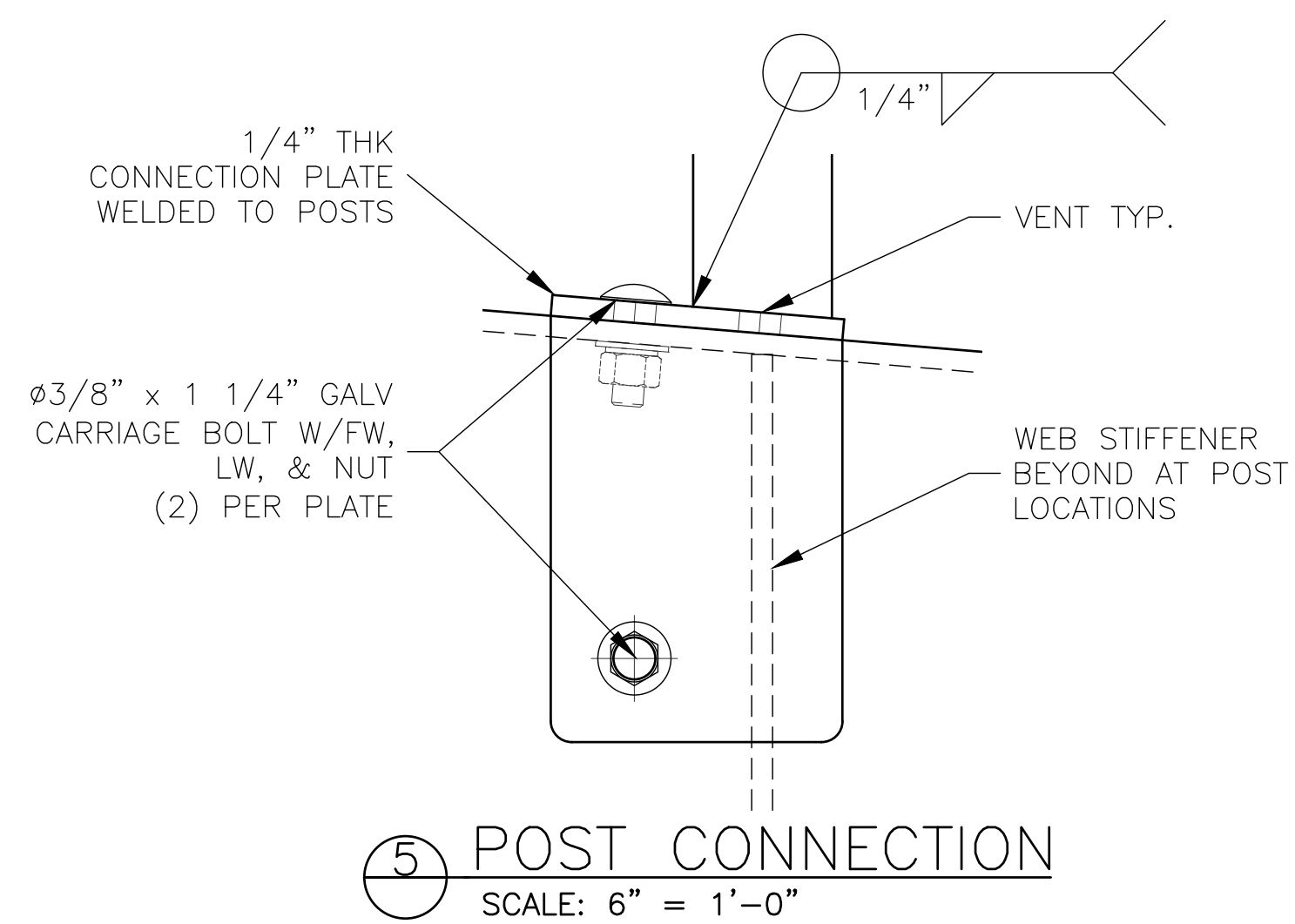
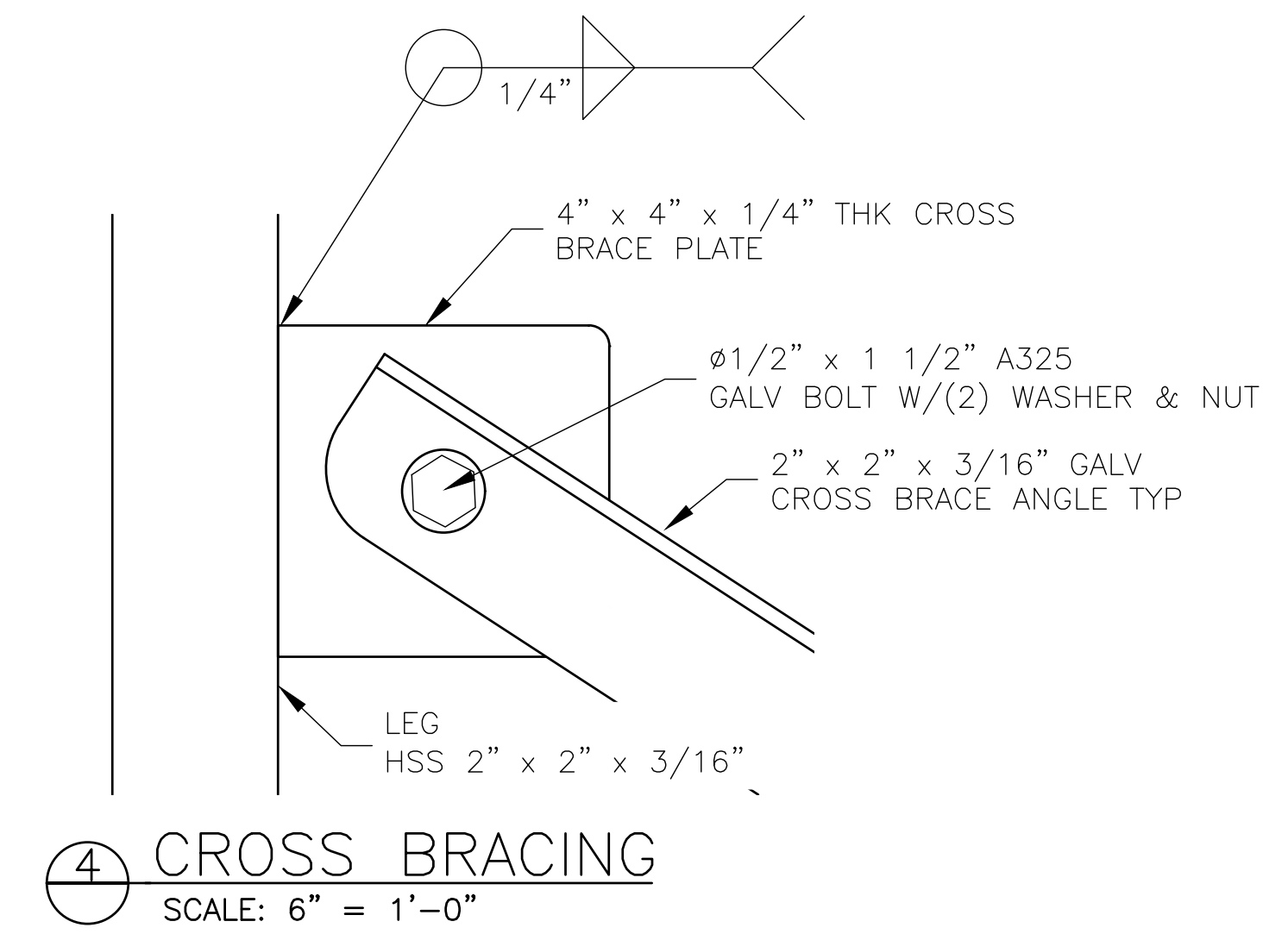
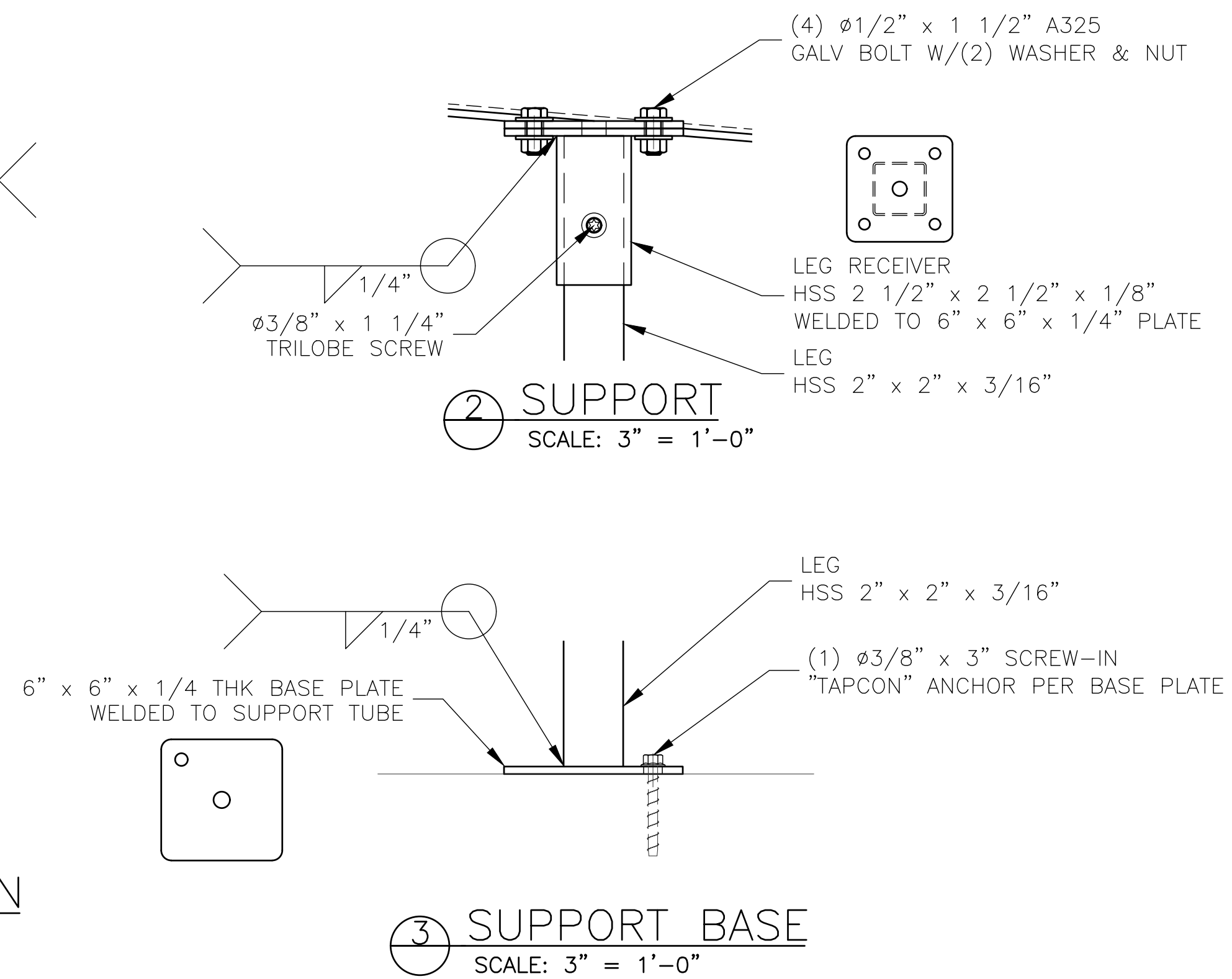
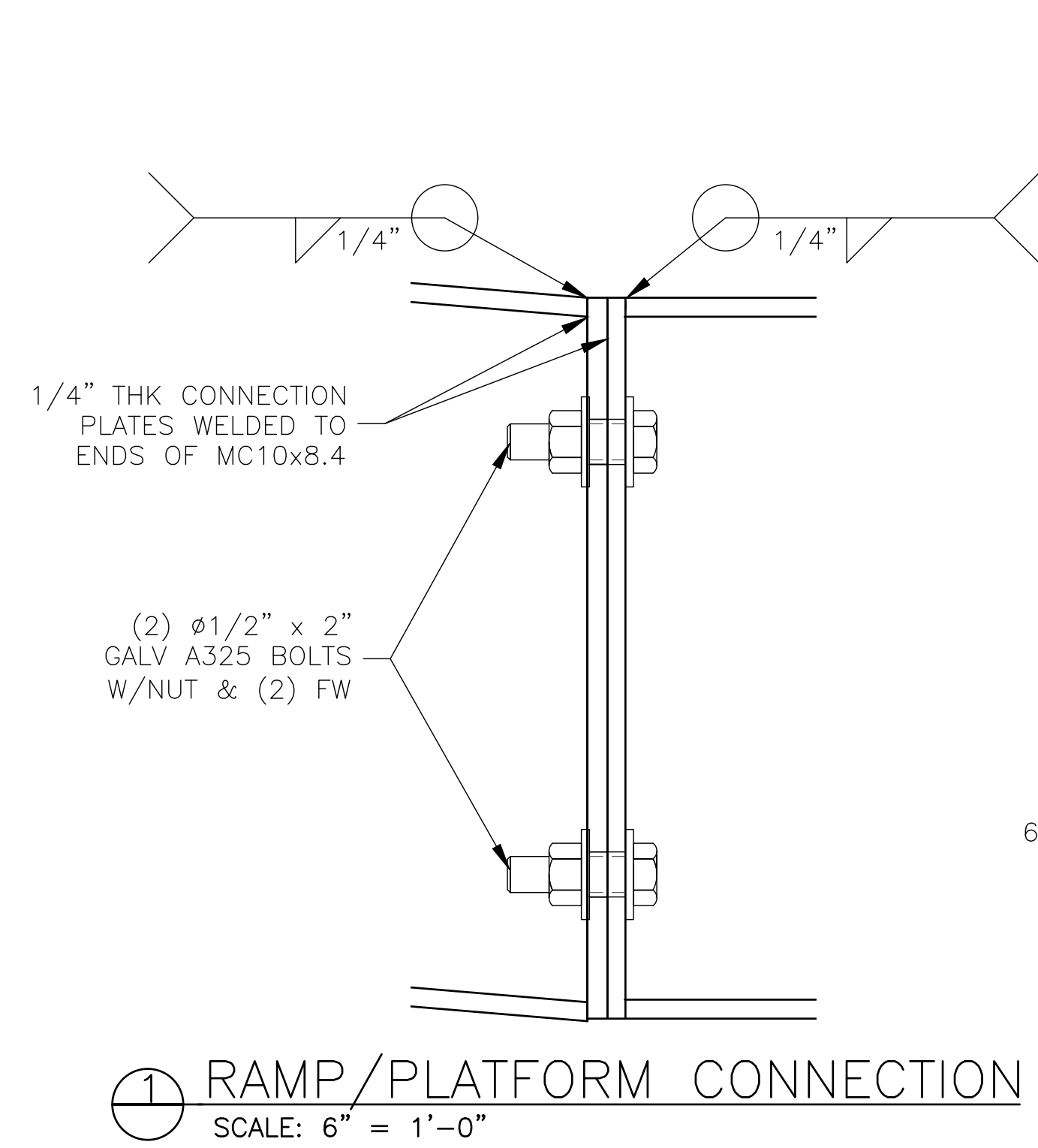


Ⓢ LOWER RAMP - SOUTH
SCALE: 1/2" = 1'-0"

REV	DATE	DESCRIPTION	REV BY:
0	09-19-19	SUBMITTED FOR A/E REVIEW	ALR

JW INDUSTRIES INC.
5662 Glendale Ave.
Green Bay, WI 54313
(920) 865-7307 Fax (920) 865-7777
jwoffice@jwindustriesinc.com
"We provide everything except the spectators."

PROJECT:	STADIUM, PRESS BOX, & ENCLOSURE SYSTEMS
CLIENT:	DOWNERS GROVE NORTH COMMUNITY HIGH SCHOOL
DESIGN FIRM:	COMMUNITY HIGH SCHOOL DISTRICT 99
ARCHITECT:	RICE ENGINEERING, INC.
	WIGHT & COMPANY
JOB#:	19332
DATE:	09-19-19
DRAWN BY:	ALR/REI
SHEET NUMBER:	35 OF 46



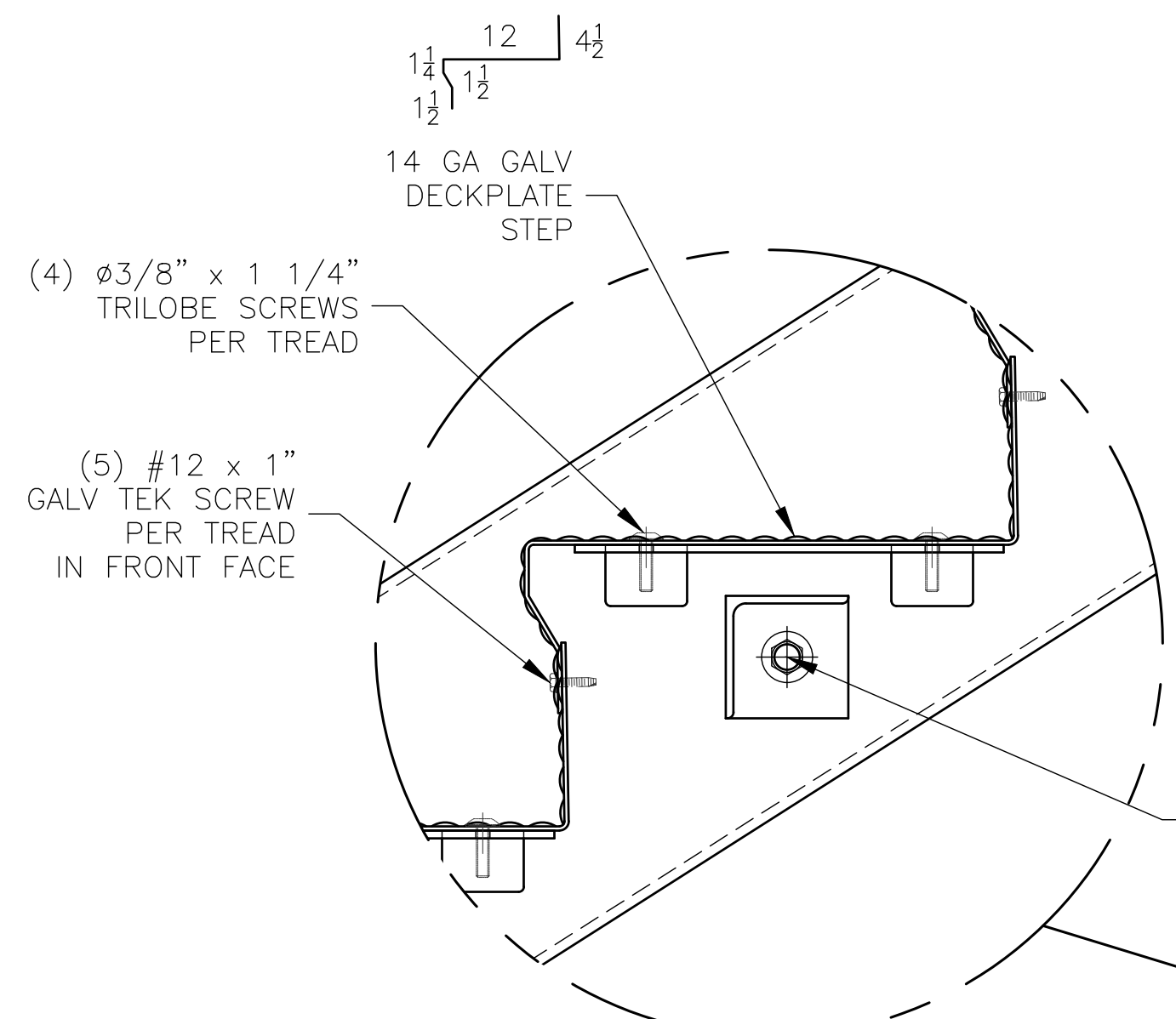
REV	DATE	DESCRIPTION	REV BY:
0	09-19-19	SUBMITTED FOR A/E REVIEW	ALR

JW INDUSTRIES INC.

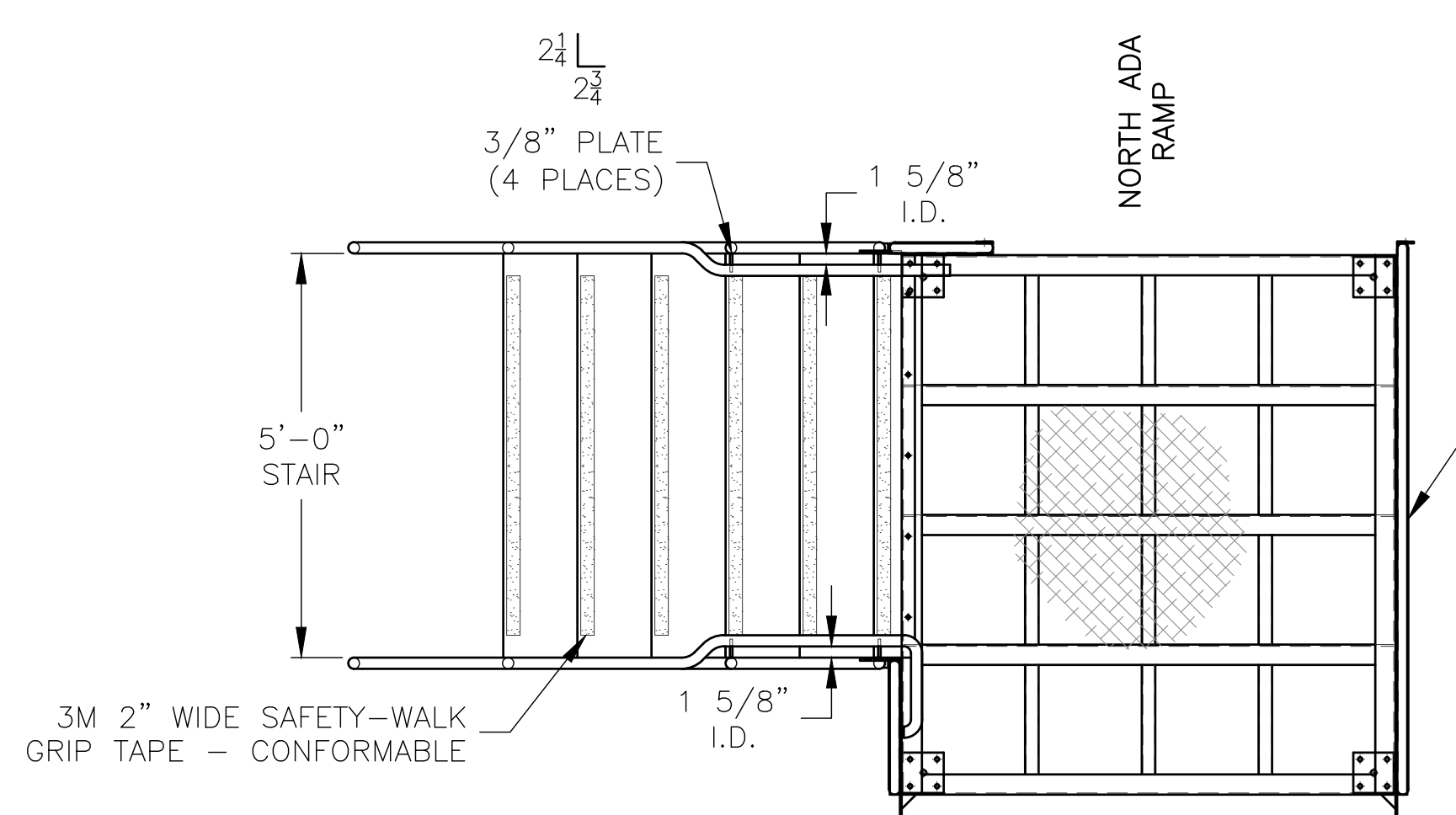
5662 Glendale Ave.
Green Bay, WI 54313
(920) 865-7307 Fax (920) 865-7777
jwoffice@jwindustriesinc.com

"We provide everything except the spectators."

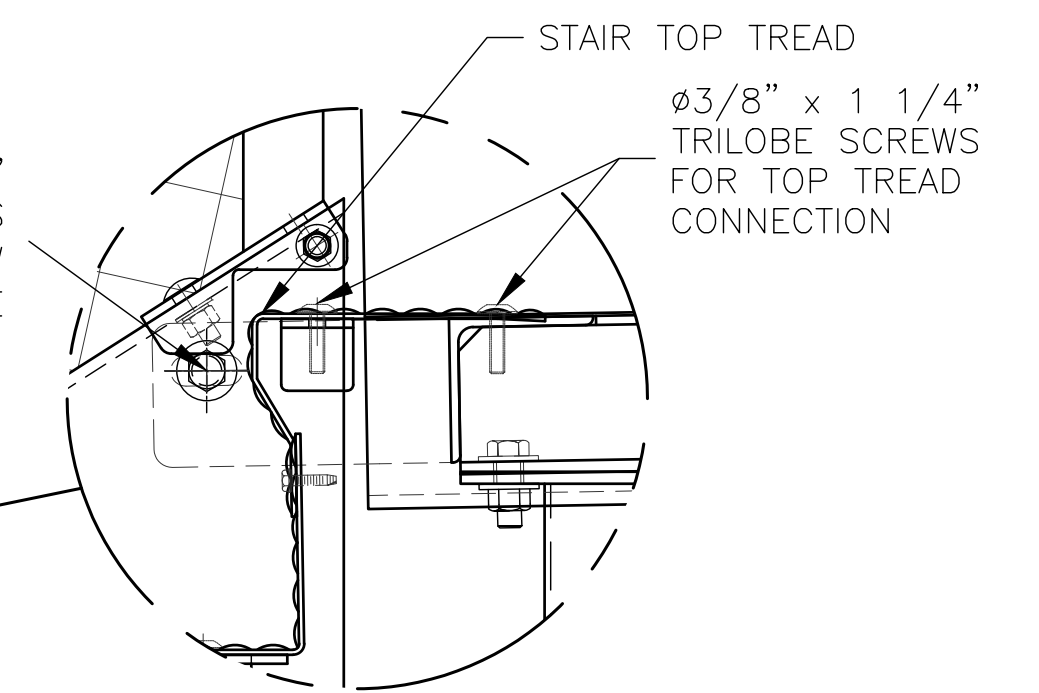
PROJECT:	STADIUM, PRESS BOX, & ENCLOSURE SYSTEMS
CLIENT:	DOWNERS GROVE NORTH COMMUNITY HIGH SCHOOL
DESIGN FIRM:	COMMUNITY HIGH SCHOOL DISTRICT 99
ARCHITECT:	RICE ENGINEERING, INC.
JOB#:	WIGHT & COMPANY
DATE:	19332
DRAWN BY:	09-19-19 ALR/REI
SHEET NUMBER:	36 OF 46



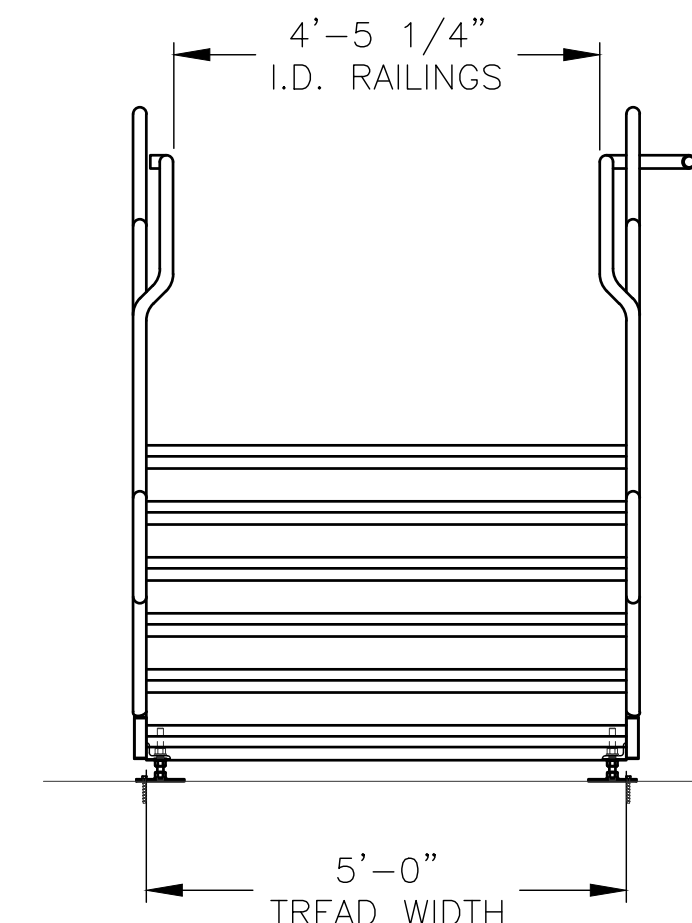
TREAD TYP
 SCALE: 3"=1'-0"



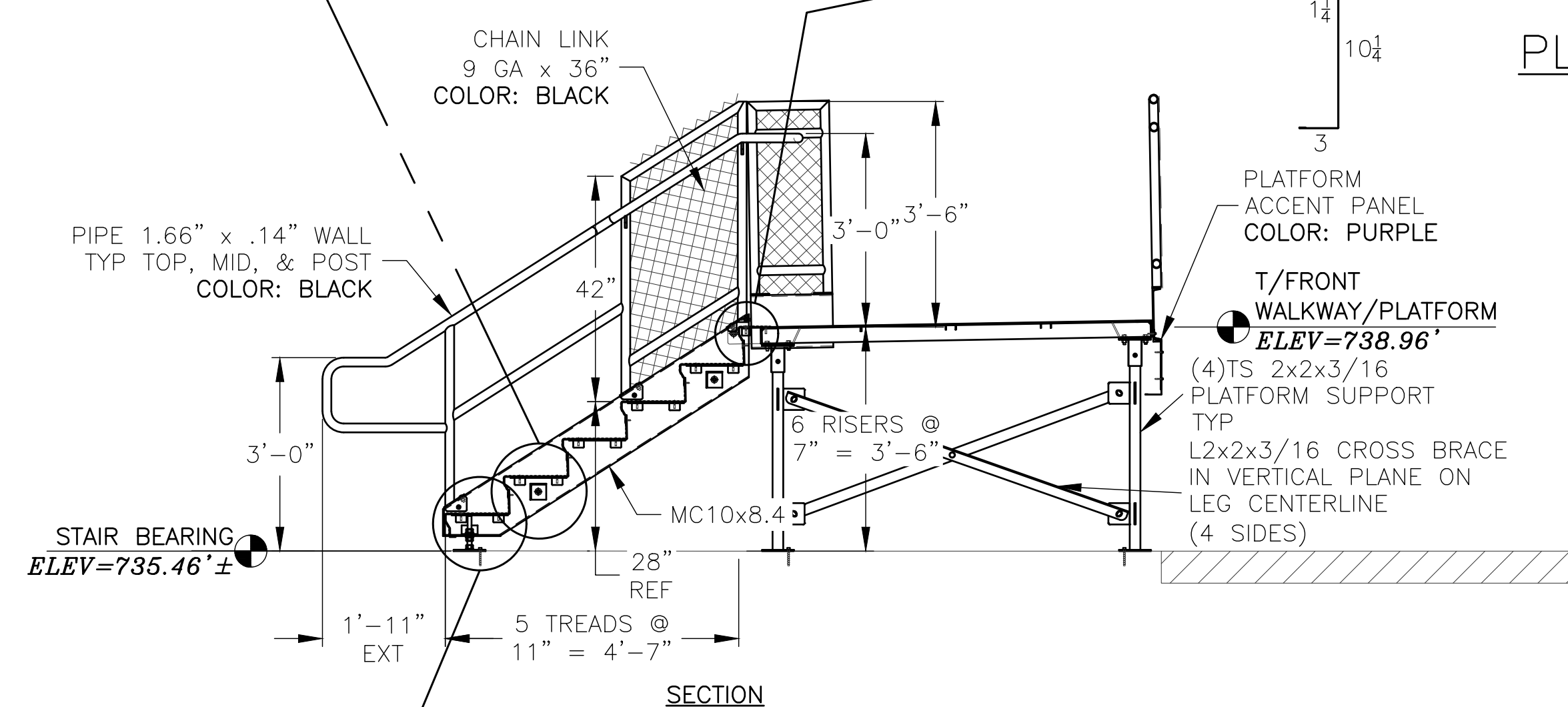
PLAN VIEW



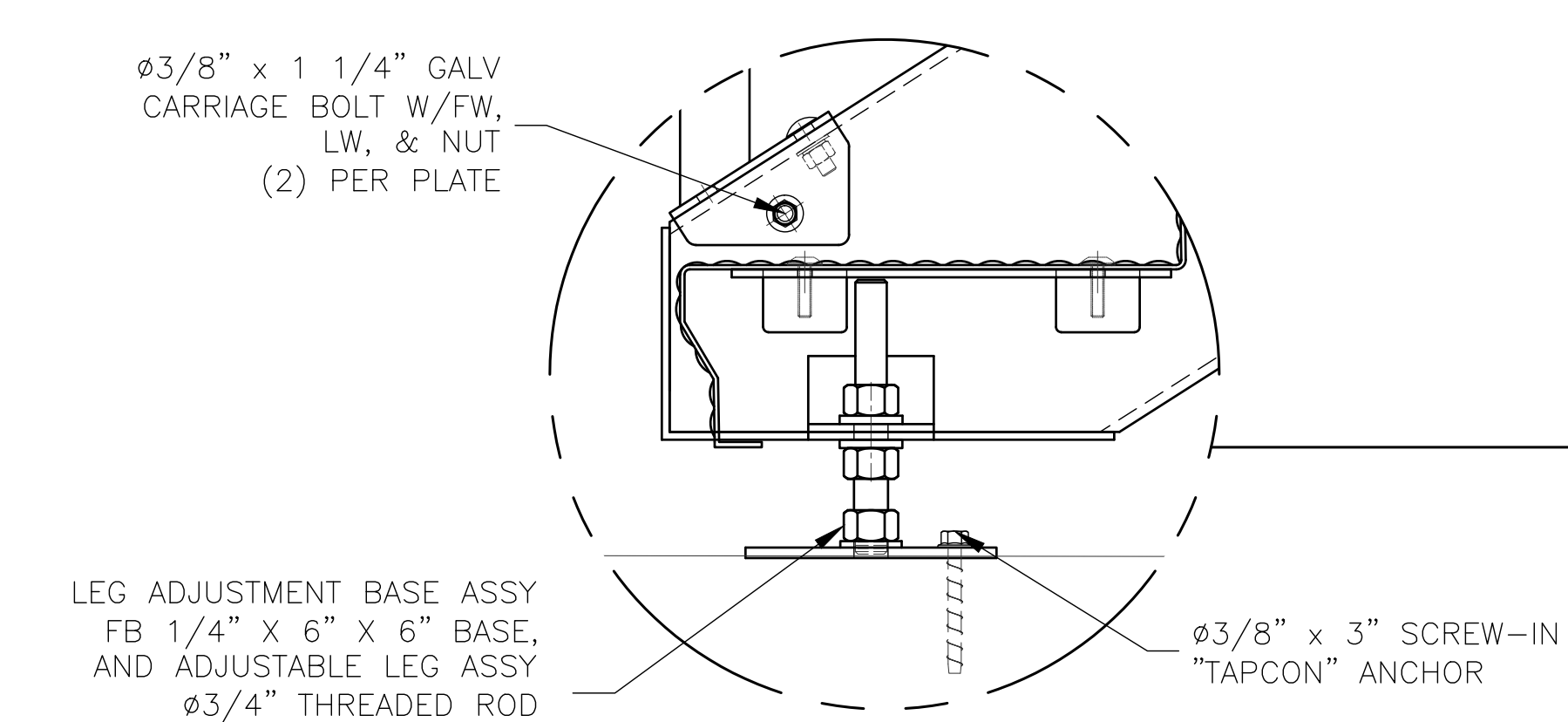
PLATFORM/STAIR CONNECTION
 SCALE: 3"=1'-0"



FRONT ELEVATION



SECTION



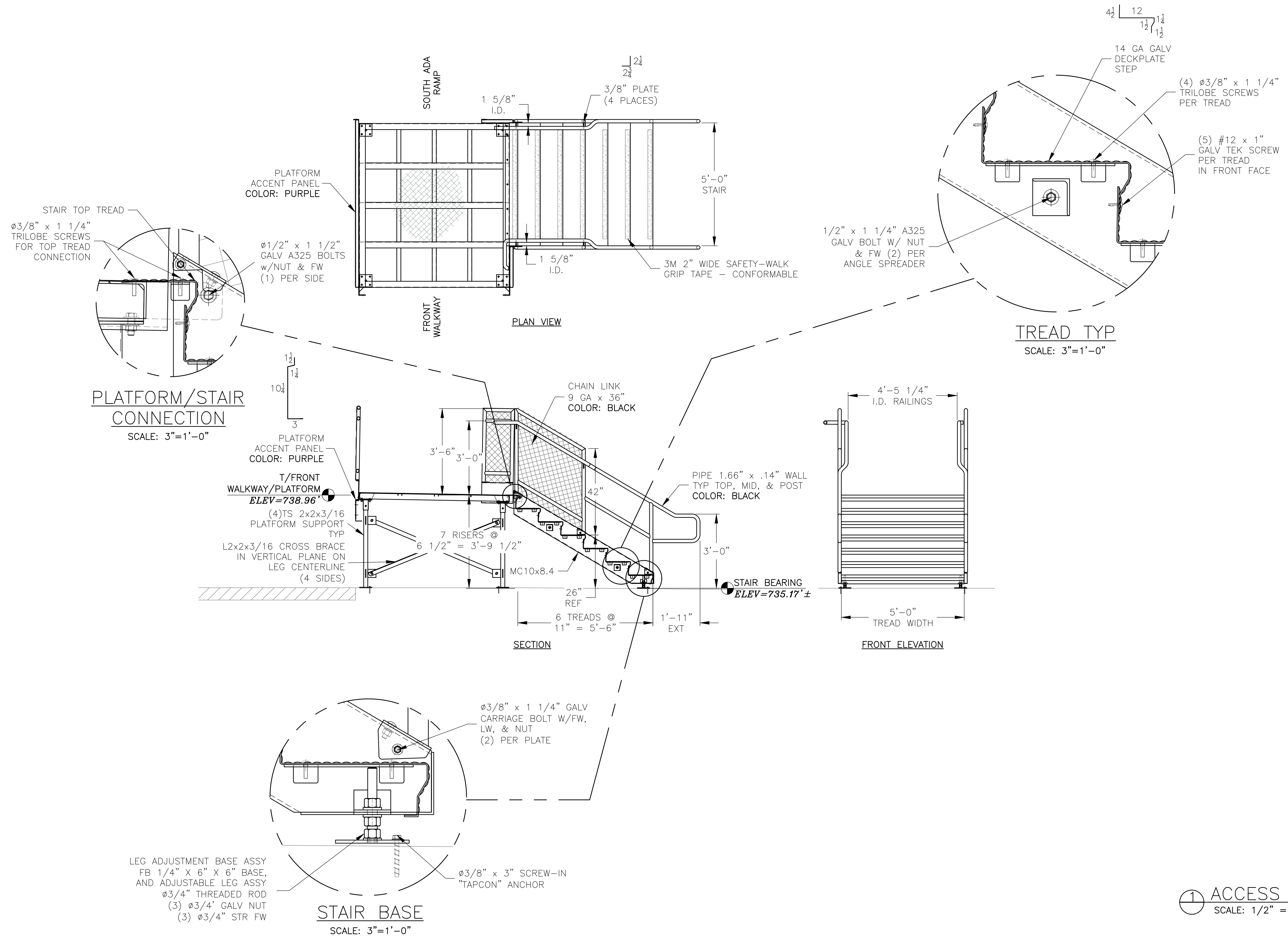
STAIR BASE
 SCALE: 3"=1'-0"

1 ACCESS STAIR (NORTH)
 SCALE: 1/2" = 1'-0"

REV	DATE	DESCRIPTION	REV BY:
0	09-19-19	SUBMITTED FOR A/E REVIEW	ALR

JW INDUSTRIES INC.
 5662 Glendale Ave.
 Green Bay, WI 54313
 (920) 865-7307 Fax (920) 865-7777
 jwoffice@jwindustriesinc.com
"We provide everything except the spectators."

PROJECT:	STADIUM, PRESS BOX, & ENCLOSURE SYSTEMS
CLIENT:	DOWNERS GROVE NORTH COMMUNITY HIGH SCHOOL
DESIGN FIRM:	COMMUNITY HIGH SCHOOL DISTRICT 99
ARCHITECT:	RICE ENGINEERING, INC.
	WIGHT & COMPANY
JOB#: 19332	DATE: 09-19-19
DRAWN BY: ALR/REI	SHEET NUMBER: 37 OF 46

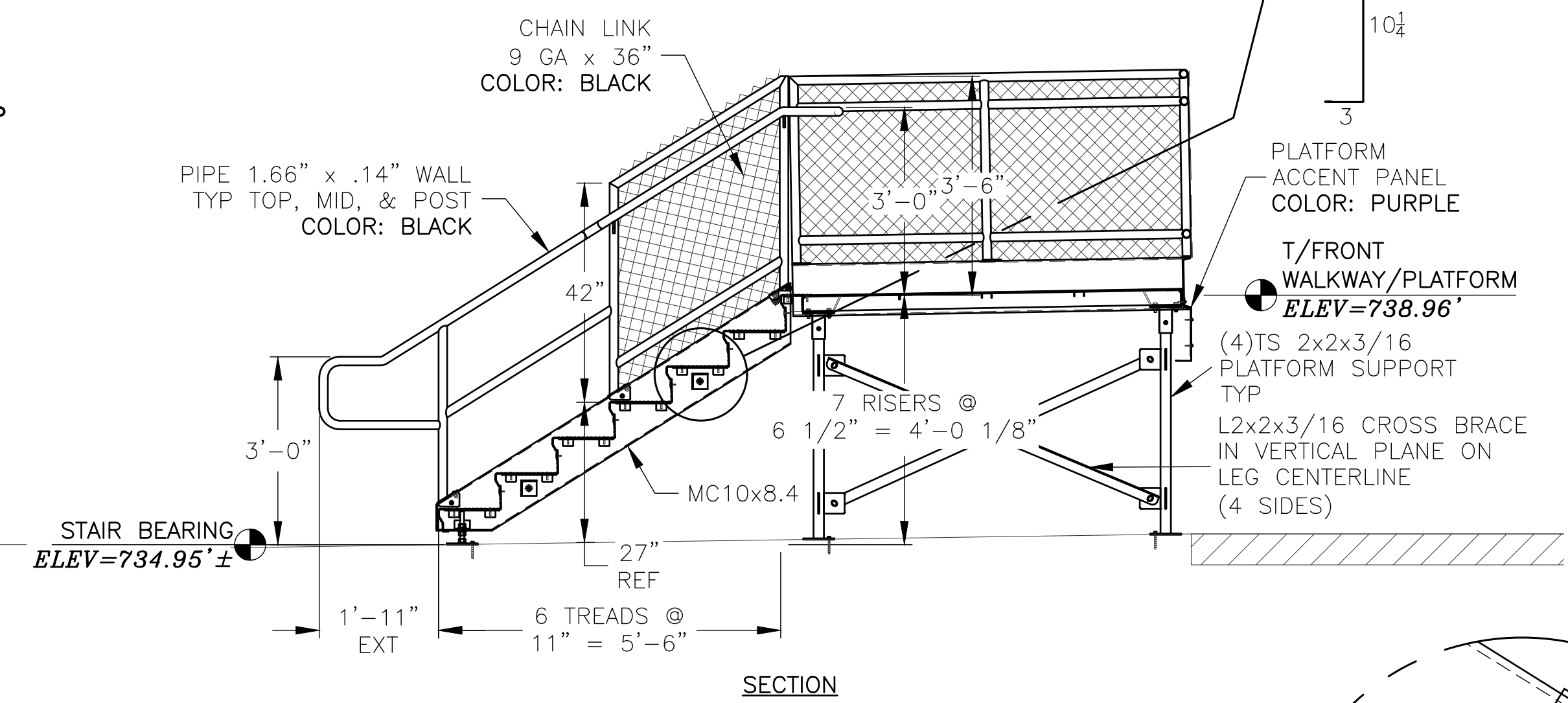
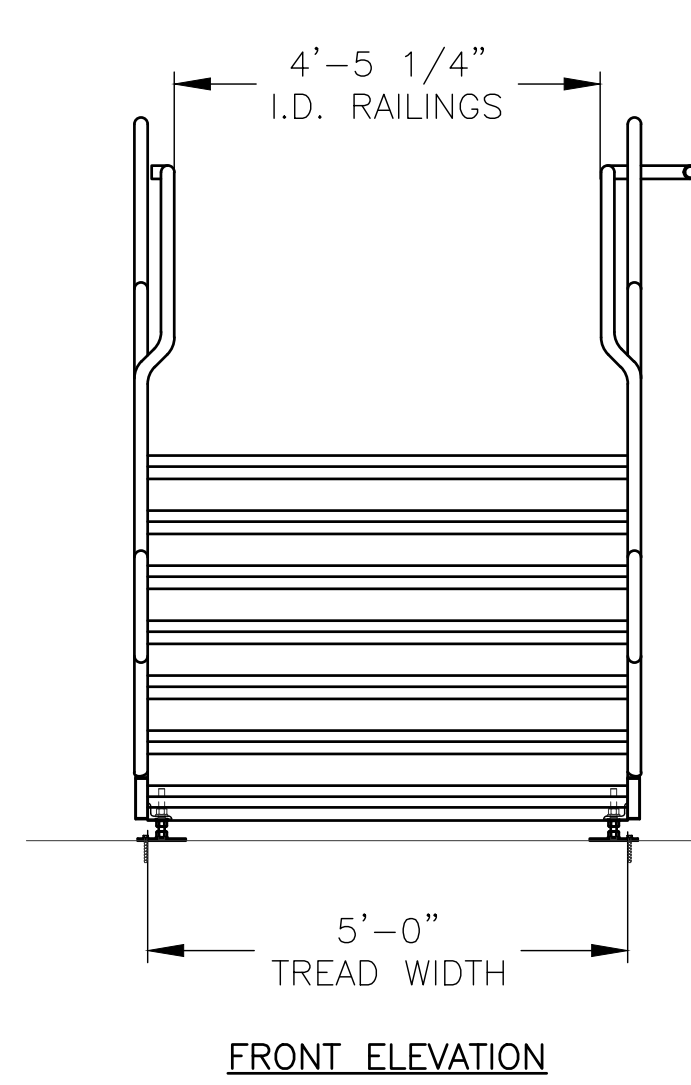
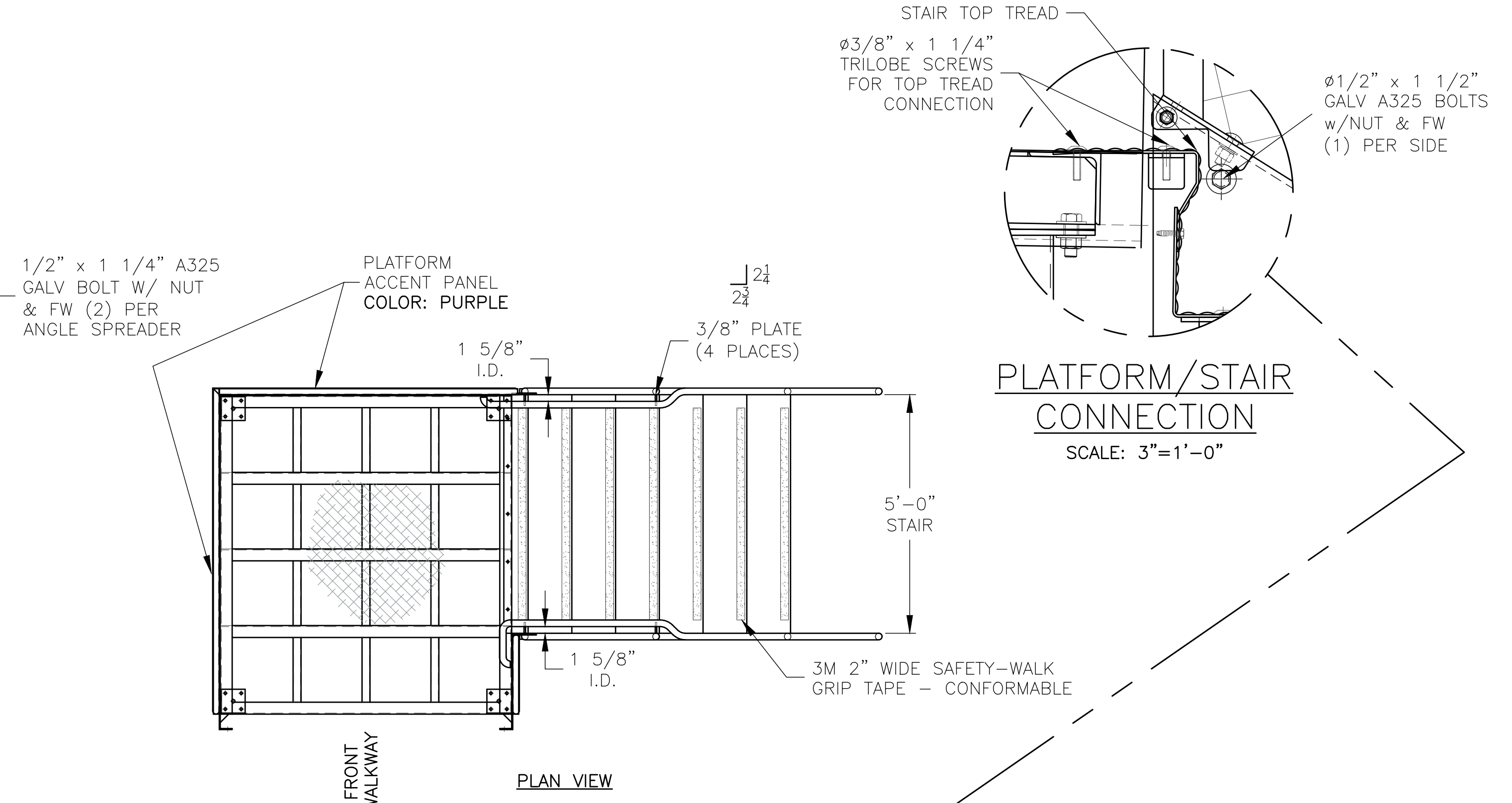
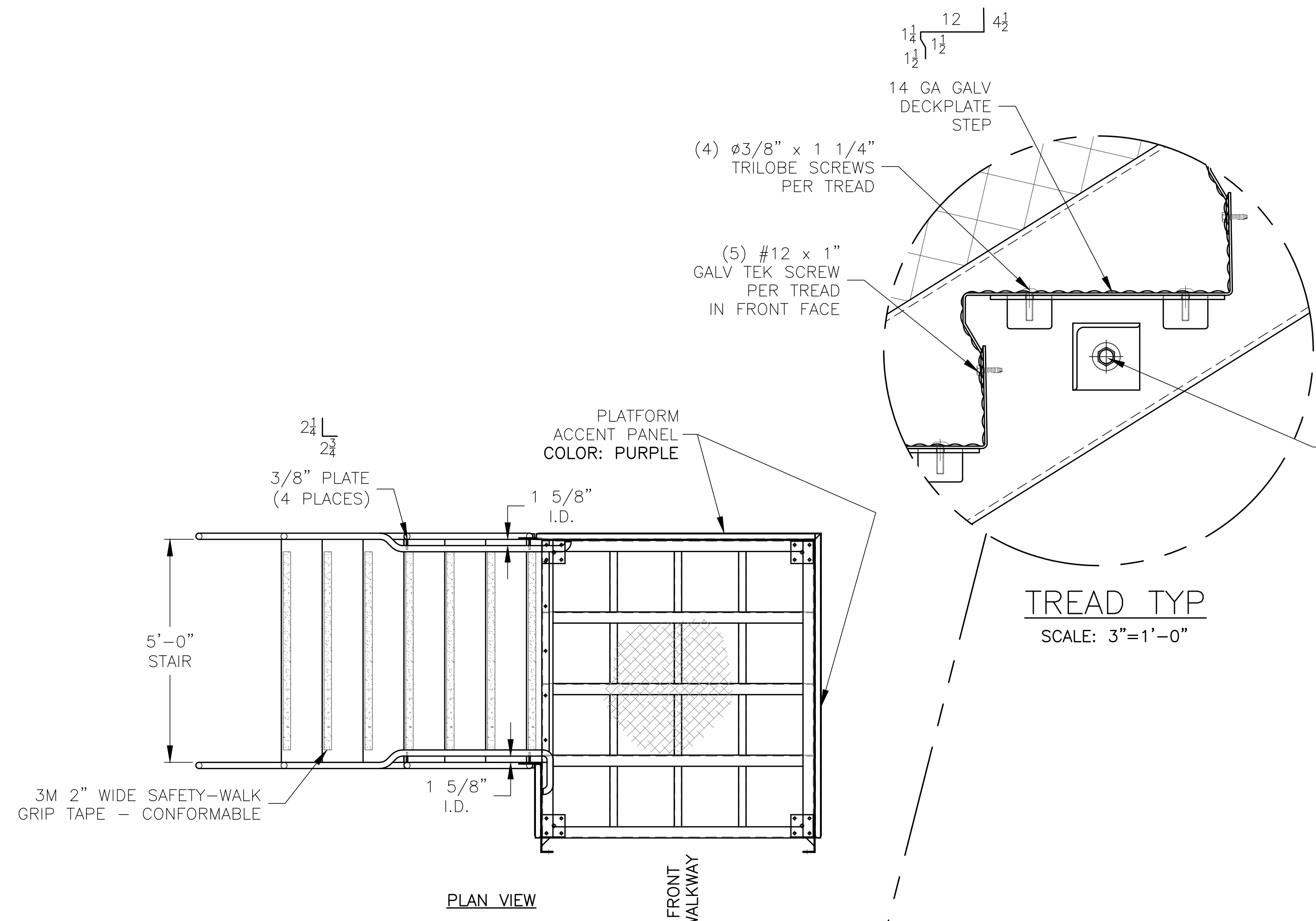


1 ACCESS STAIR (SOUTH)
 SCALE: 1/2" = 1'-0"

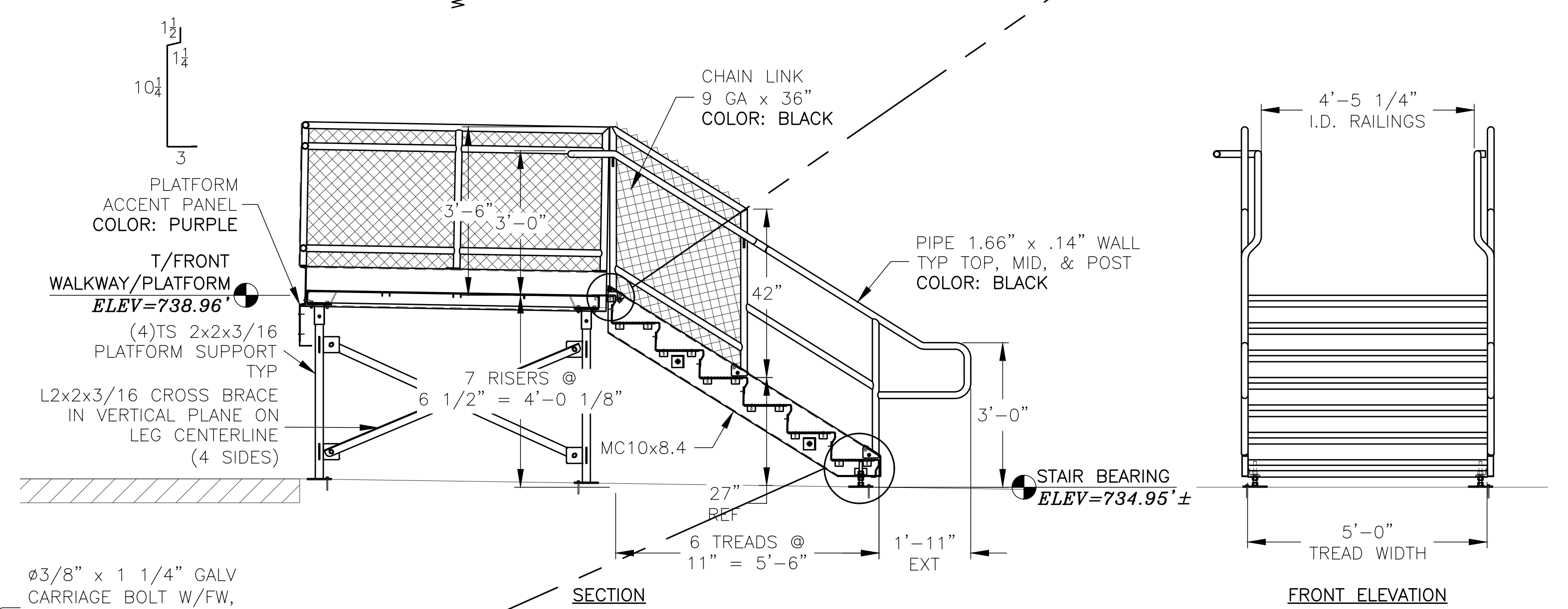
REV	DATE	DESCRIPTION	REV BY:
0	09-19-19	SUBMITTED FOR A/E REVIEW	ALR

JW INDUSTRIES INC.
 5662 Glendale Ave.
 Green Bay, WI 54313
 (920) 865-7307 Fax (920) 865-7777
 jwoffice@jwindustriesinc.com
 "We provide everything except the spectators."

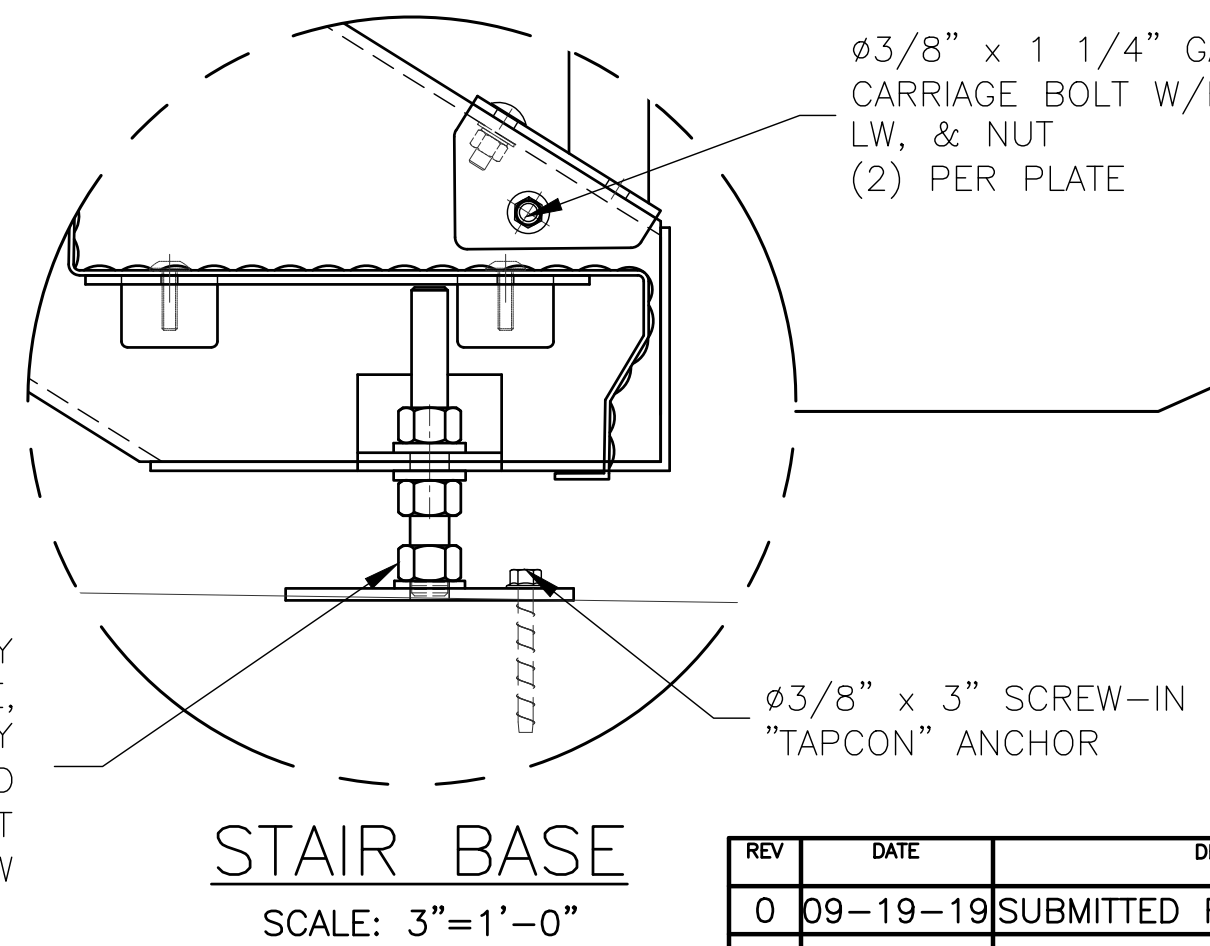
PROJECT:	STADIUM, PRESS BOX, & ENCLOSURE SYSTEMS
CLIENT:	DOWNERS GROVE NORTH COMMUNITY HIGH SCHOOL
DESIGN FIRM:	COMMUNITY HIGH SCHOOL DISTRICT 99
ARCHITECT:	RICE ENGINEERING, INC.
JOB#:	WIGHT & COMPANY
DATE:	19332
DRAWN BY:	09-19-19 ALR/REI
SHEET NUMBER:	38 OF 46



② ACCESS STAIR (VOMITORY SOUTH)
SCALE: 1/2" = 1'-0"



① ACCESS STAIR (VOMITORY NORTH)
SCALE: 1/2" = 1'-0"



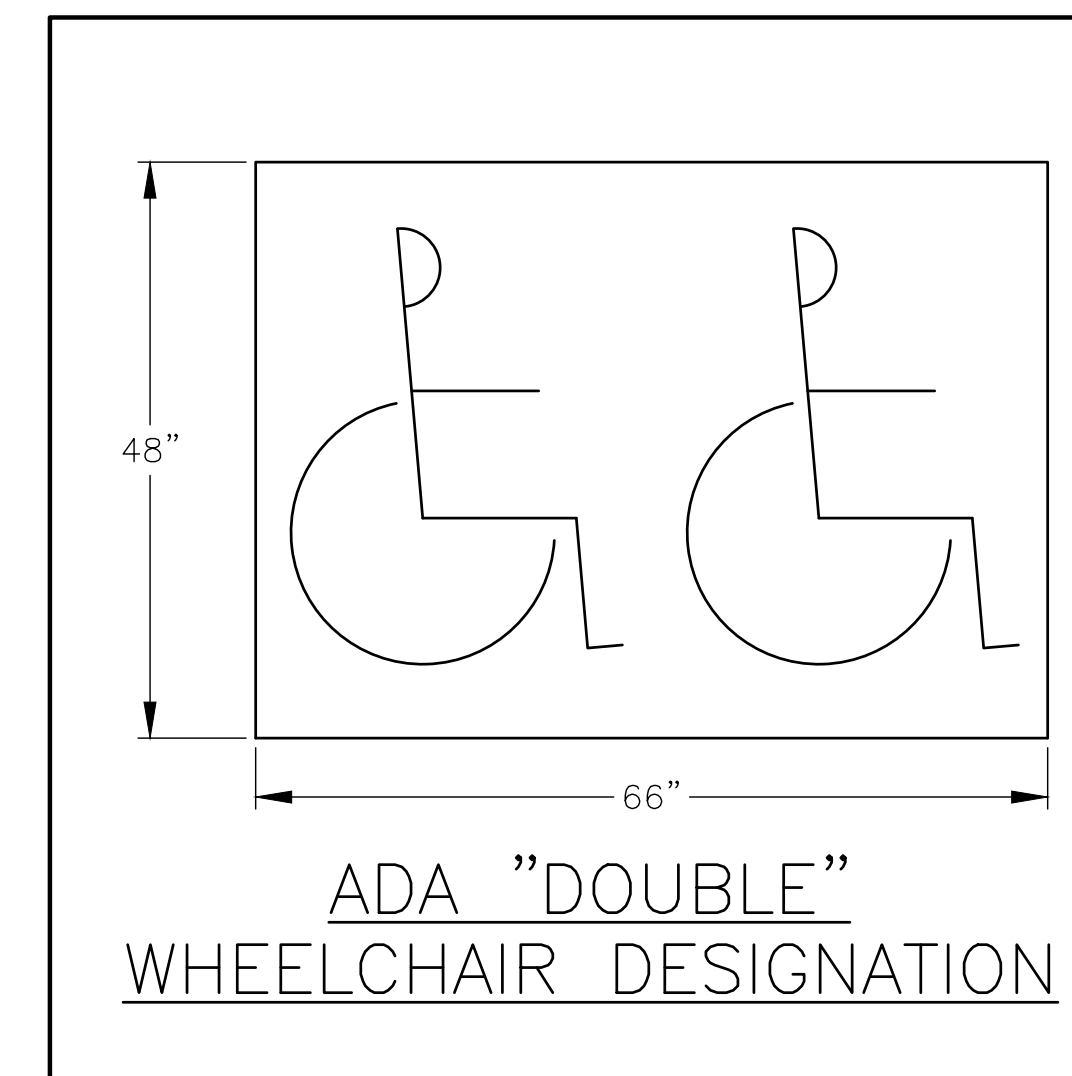
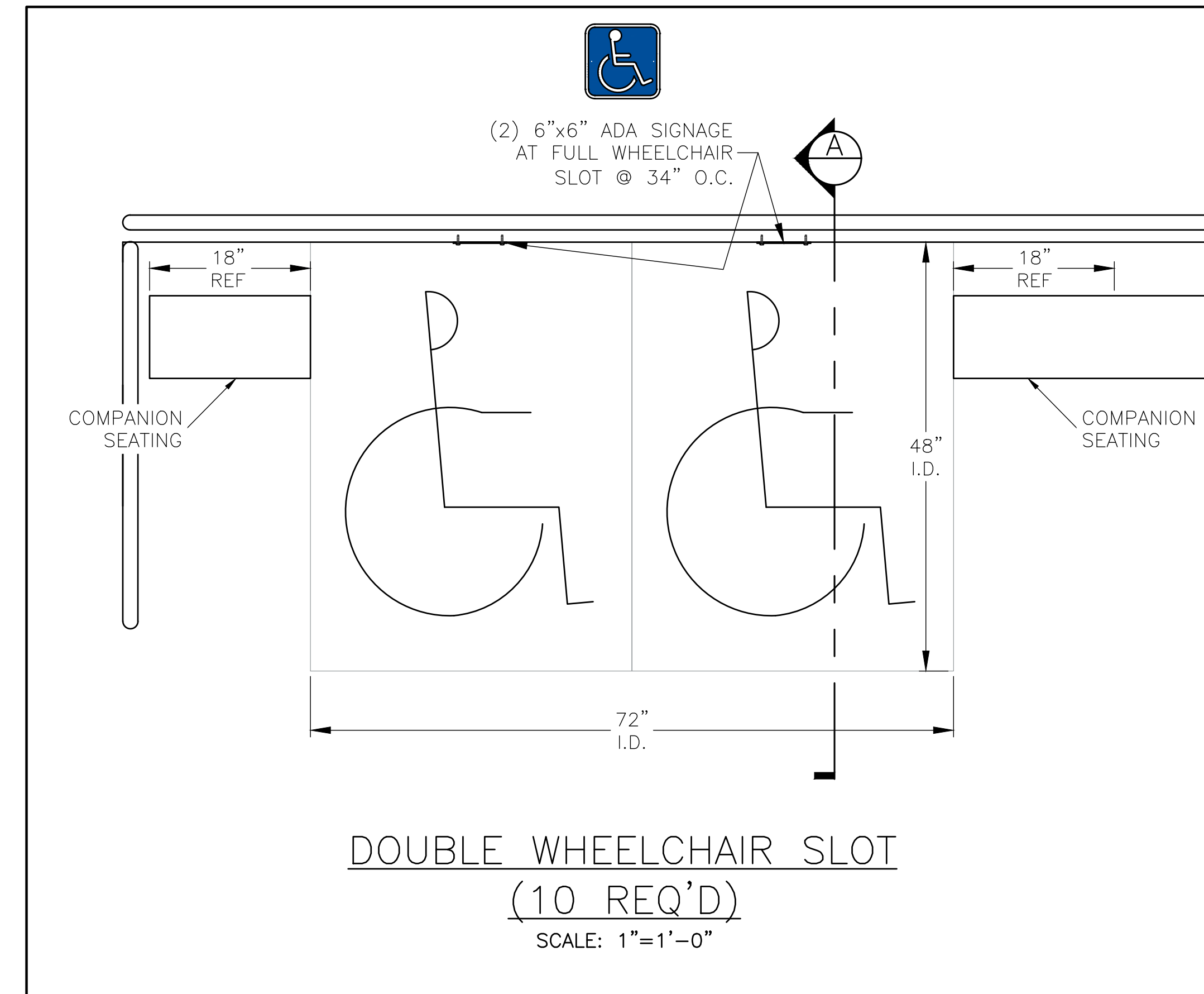
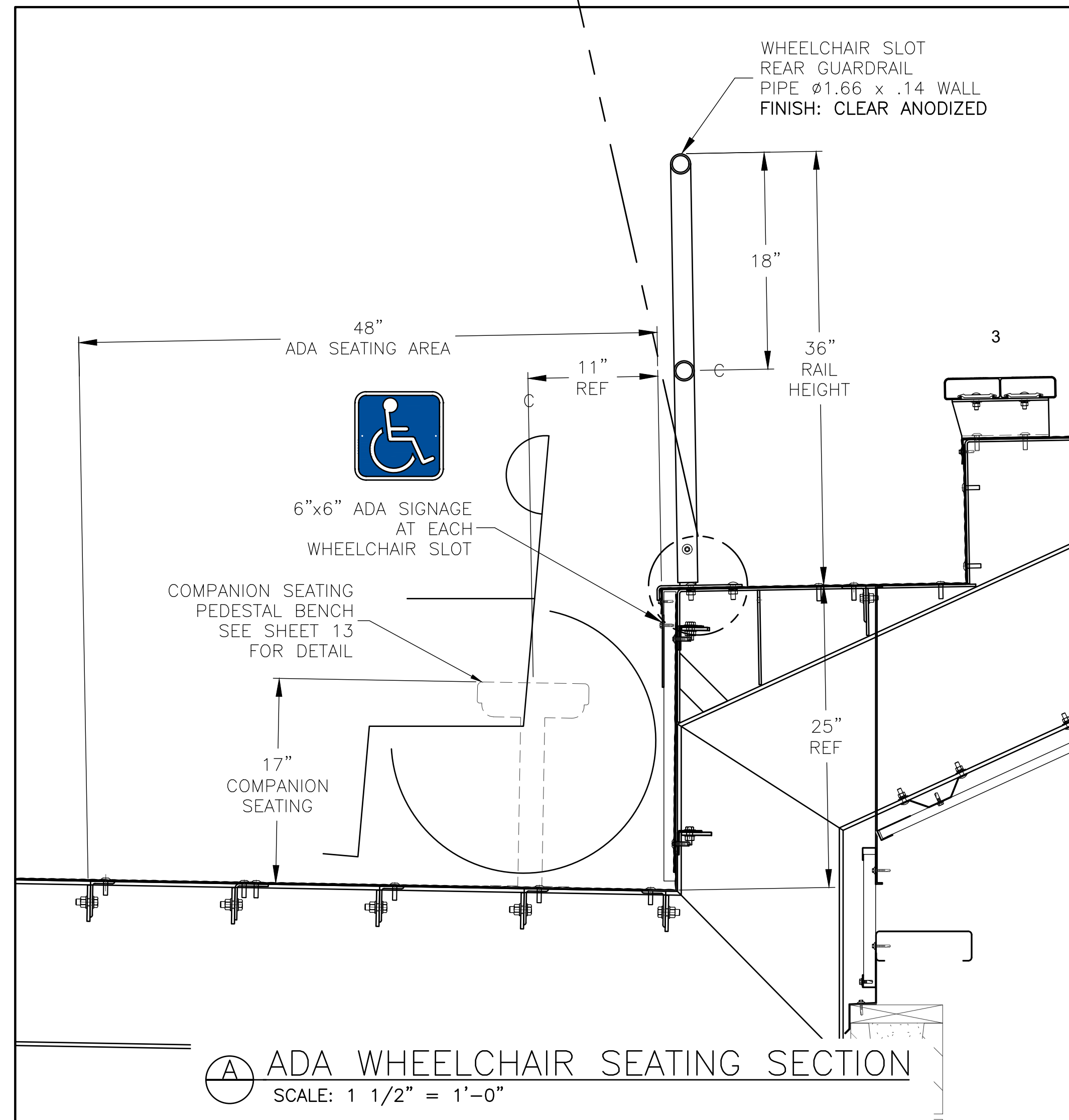
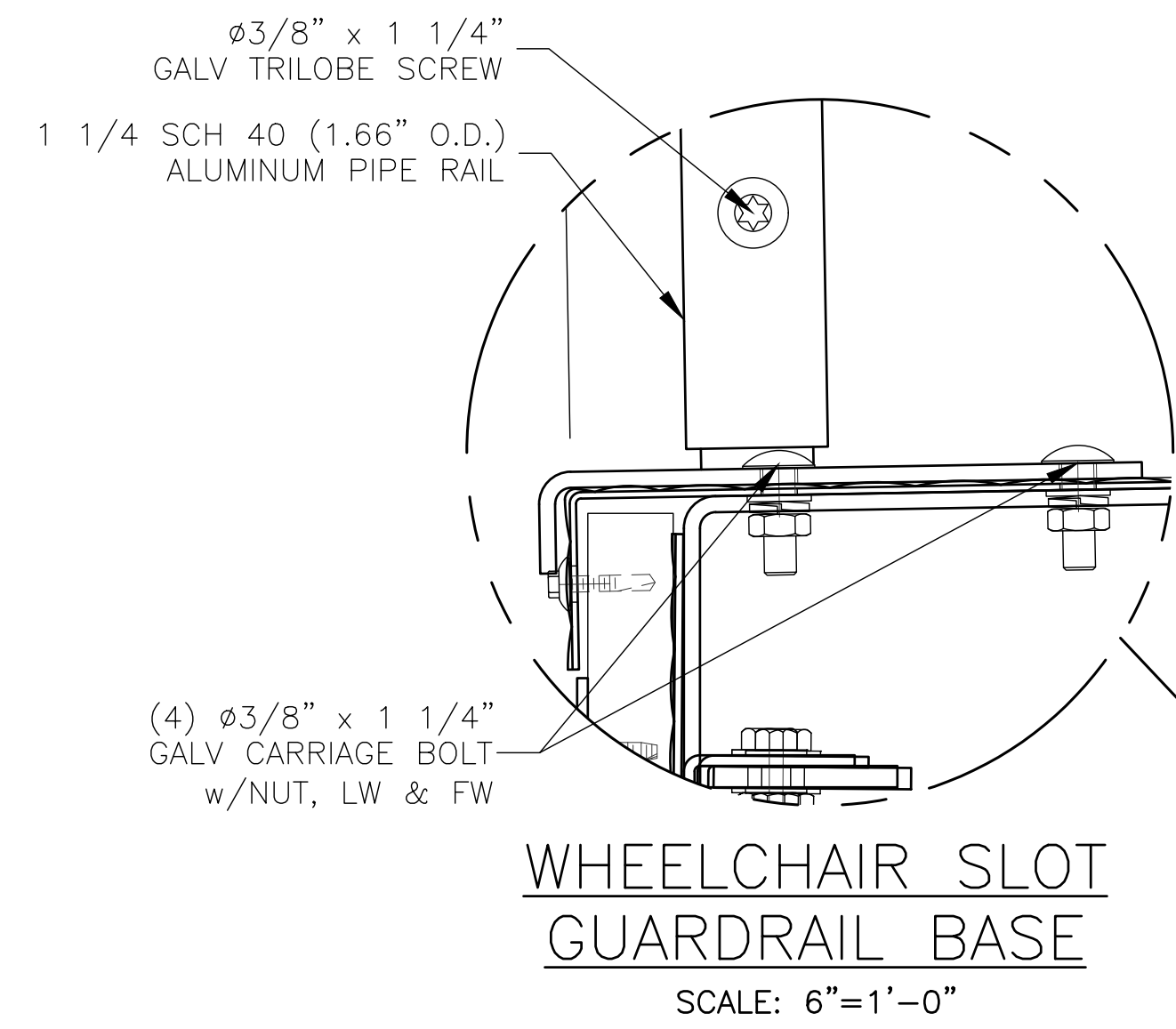
LEG ADJUSTMENT BASE ASSY
FB 1/4" X 6" X 6" BASE,
AND ADJUSTABLE LEG ASSY
ø3/4" THREADED ROD
(3) ø3/4" GALV NUT
(3) ø3/4" STR FW

STAIR BASE
SCALE: 3"=1'-0"

REV	DATE	DESCRIPTION	REV BY:
0	09-19-19	SUBMITTED FOR A/E REVIEW	ALR

JW INDUSTRIES INC.
5662 Glendale Ave.
Green Bay, WI 54313
(920) 865-7307 Fax (920) 865-7777
jwoffice@jwindustriesinc.com
"We provide everything except the spectators."

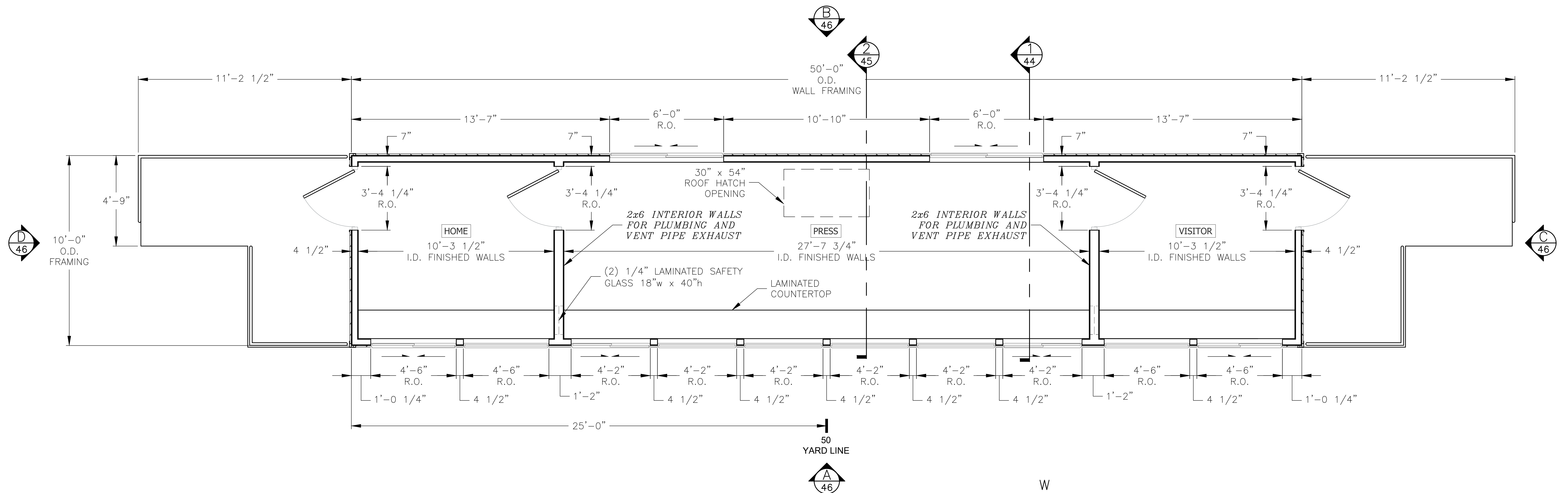
PROJECT:	STADIUM, PRESS BOX, & ENCLOSURE SYSTEMS
CLIENT:	COMMUNITY HIGH SCHOOL DISTRICT 99
DESIGN FIRM:	RICE ENGINEERING, INC.
ARCHITECT:	WIGHT & COMPANY
JOB#: 19332	DATE: 09-19-19
DRAWN BY: ALR/REI	SHEET NUMBER: 39 OF 46



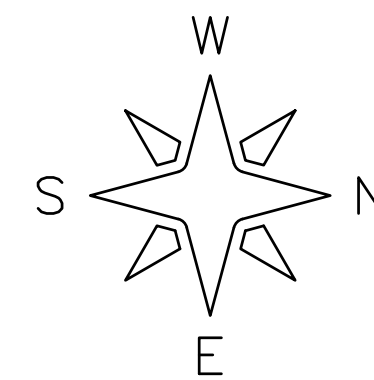
REV	DATE	DESCRIPTION	REV BY:
0	09-19-19	SUBMITTED FOR A/E REVIEW	ALR


JW INDUSTRIES INC.
 5662 Glendale Ave.
 Green Bay, WI 54313
 (920) 865-7307 Fax (920) 865-7777
 jwoffice@jwindustriesinc.com
"We provide everything except the spectators."

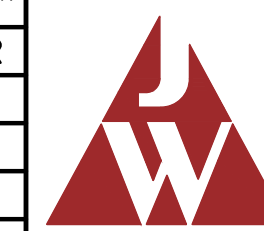
PROJECT:	STADIUM, PRESS BOX, & ENCLOSURE SYSTEMS
CLIENT:	DOWNERS GROVE NORTH COMMUNITY HIGH SCHOOL
DESIGN FIRM:	COMMUNITY HIGH SCHOOL DISTRICT 99
ARCHITECT:	RICE ENGINEERING, INC.
	WIGHT & COMPANY
JOB#: 19332	DATE: 09-19-19 DRAWN BY: ALR/REI SHEET NUMBER: 40 OF 46



1 PRESS BOX SYSTEM PLAN VIEW
SCALE: 3/8" = 1'-0"

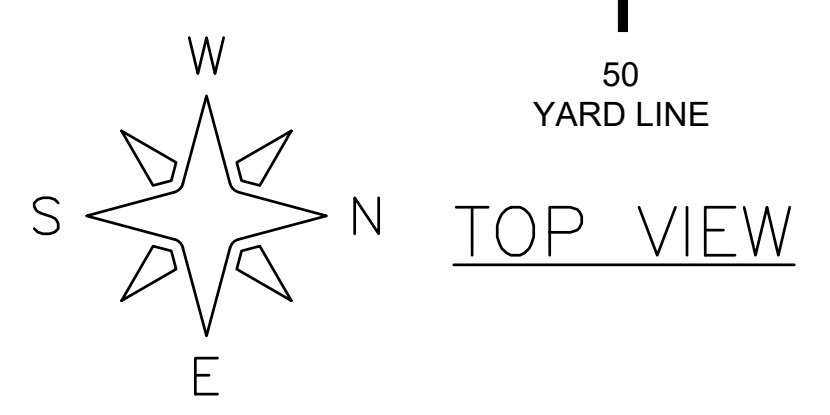
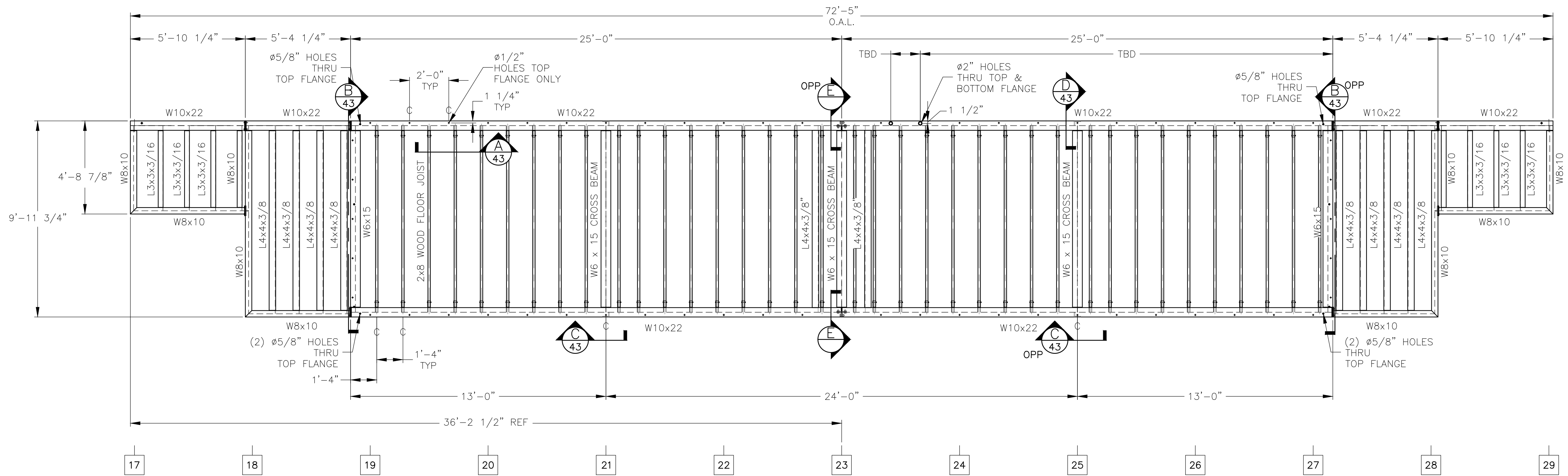


REV	DATE	DESCRIPTION	REV BY:
0	09-19-19	SUBMITTED FOR A/E REVIEW	ALR

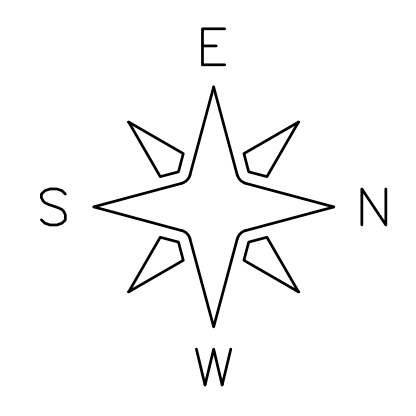
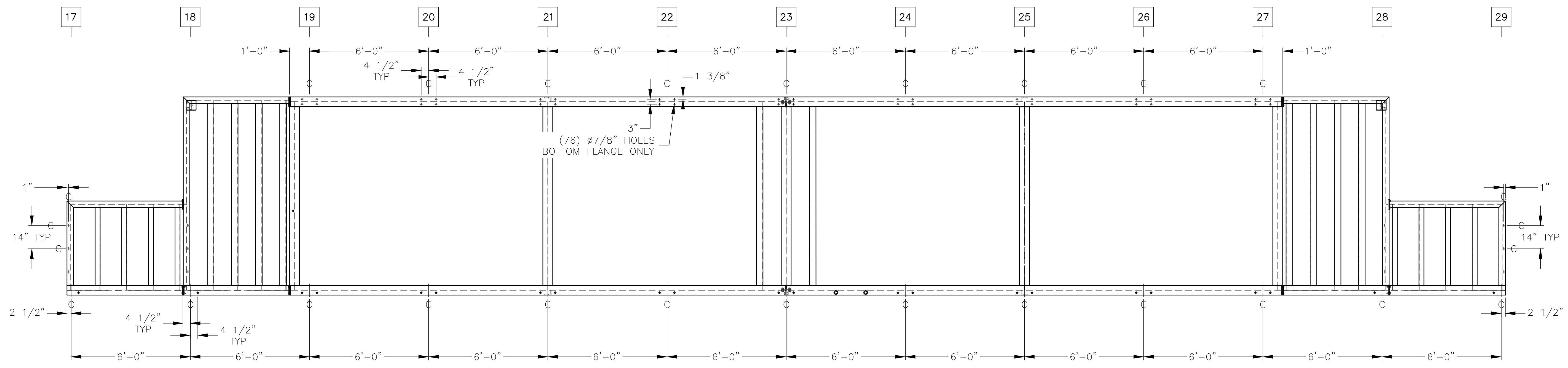


JW INDUSTRIES, INC.
 5662 Glendale Ave.
 Green Bay, WI 54313
 (920) 865-7307 Fax (920) 865-7777
 jwoffice@jwindustriesinc.com
"We provide everything except the spectators."

PROJECT:	STADIUM, PRESS BOX, & ENCLOSURE SYSTEMS
CLIENT:	DOWNERS GROVE NORTH COMMUNITY HIGH SCHOOL
DESIGN FIRM:	COMMUNITY HIGH SCHOOL DISTRICT 99
ARCHITECT:	RICE ENGINEERING, INC.
	WIGHT & COMPANY
JOB#: 19332	DATE: 09-19-19
DRAWN BY: ALR/REI	SHEET NUMBER: 41 OF 46



TOP VIEW



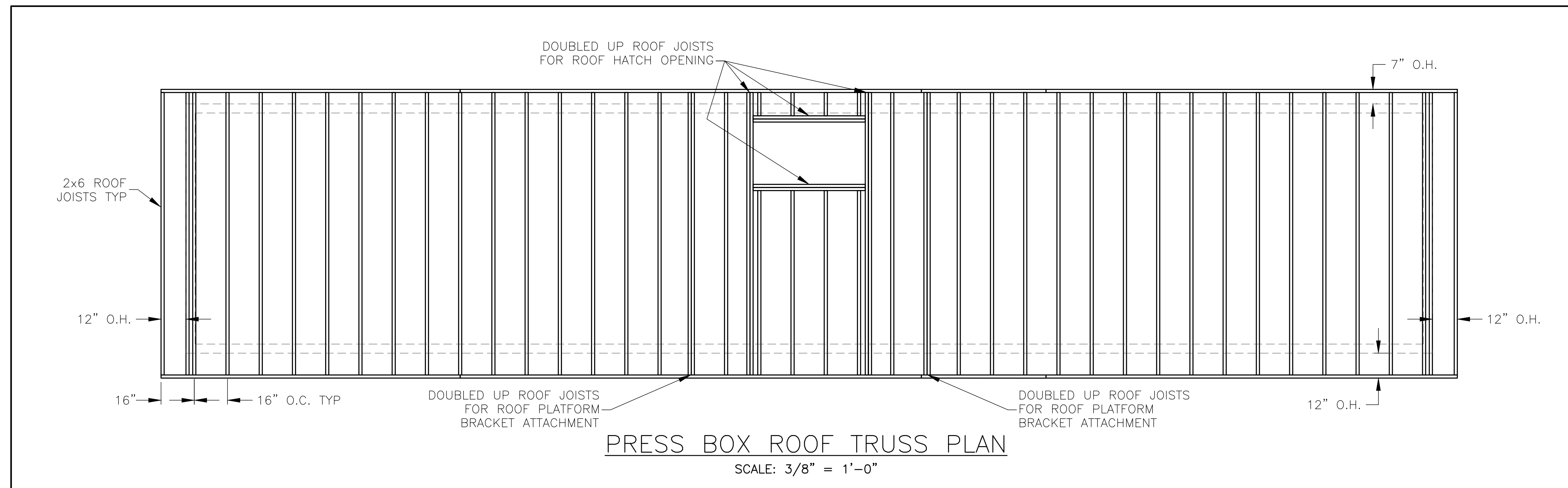
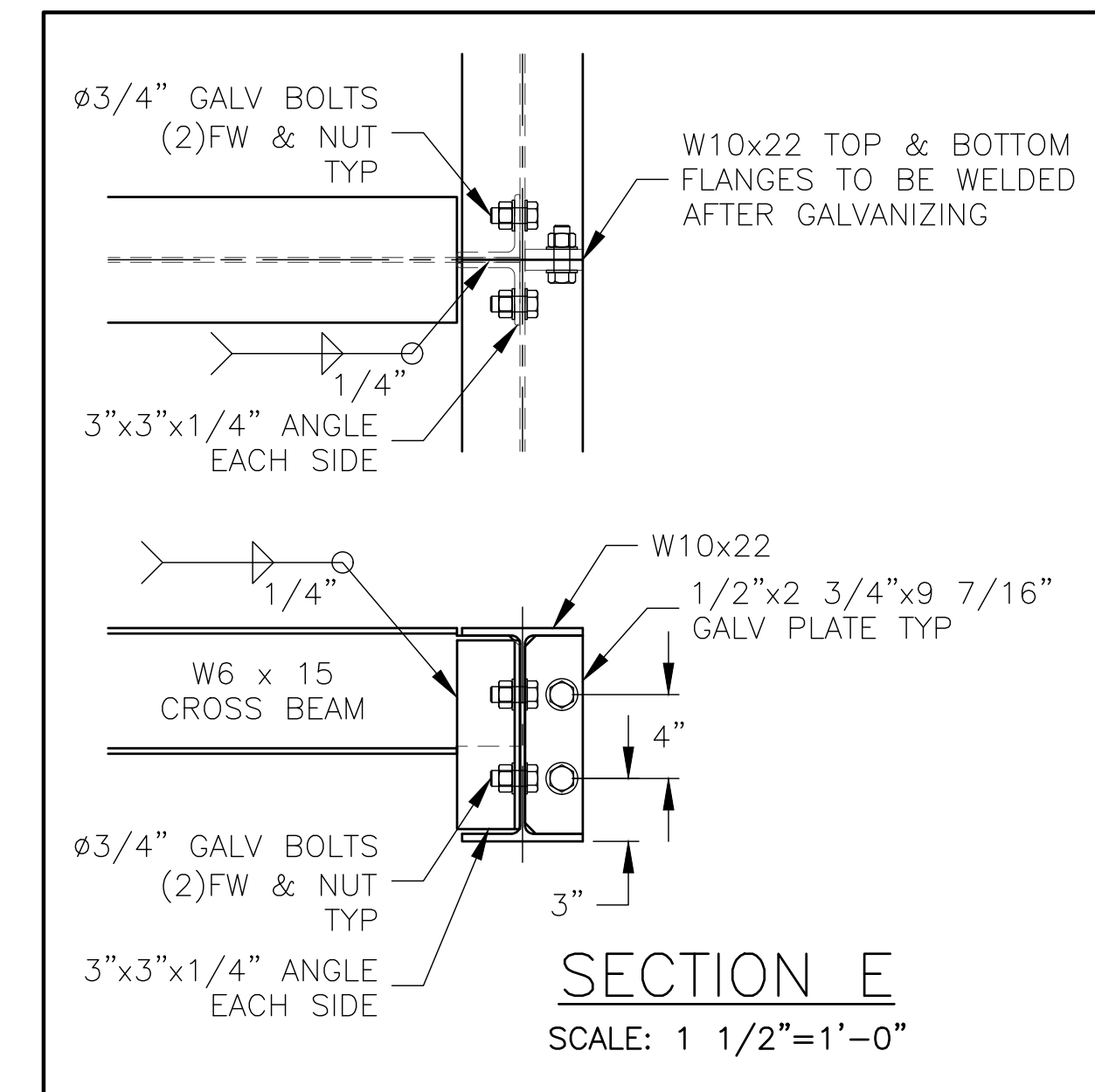
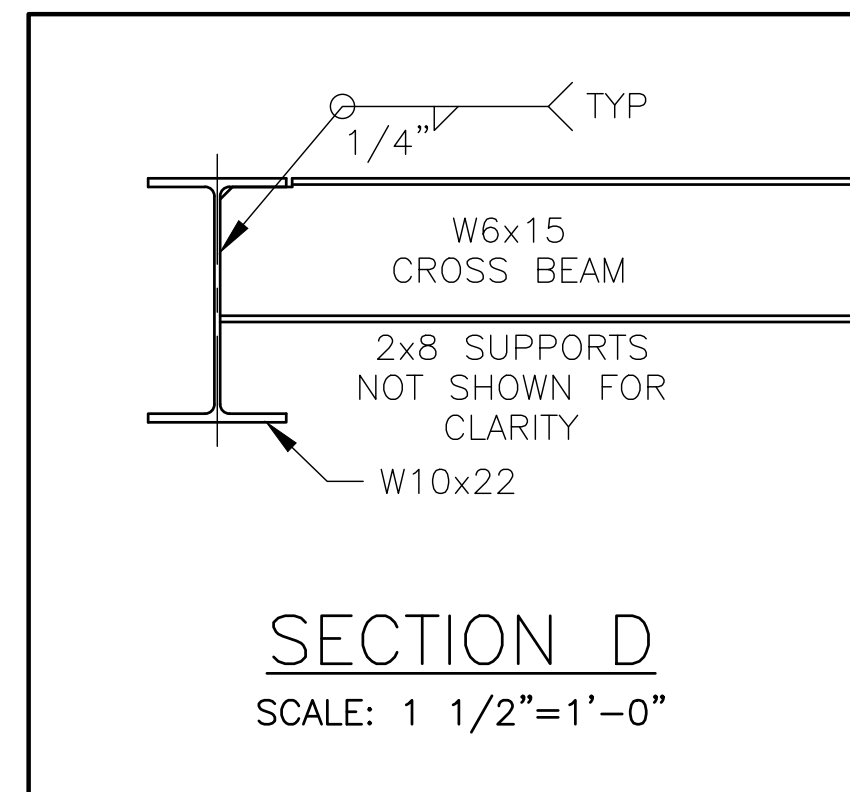
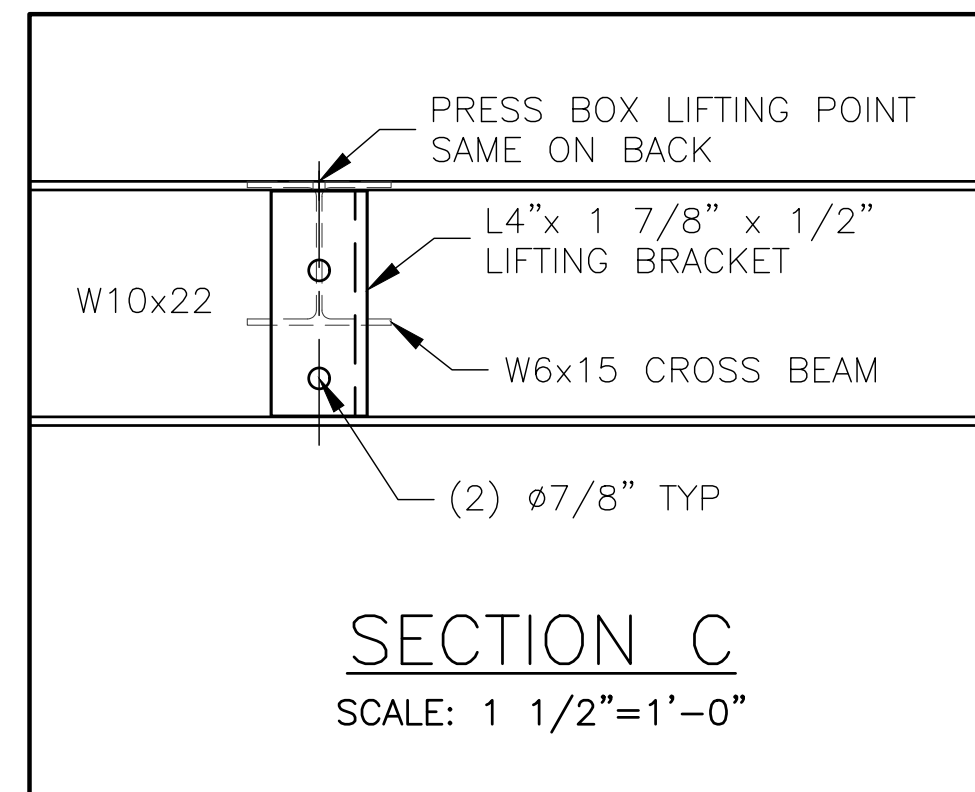
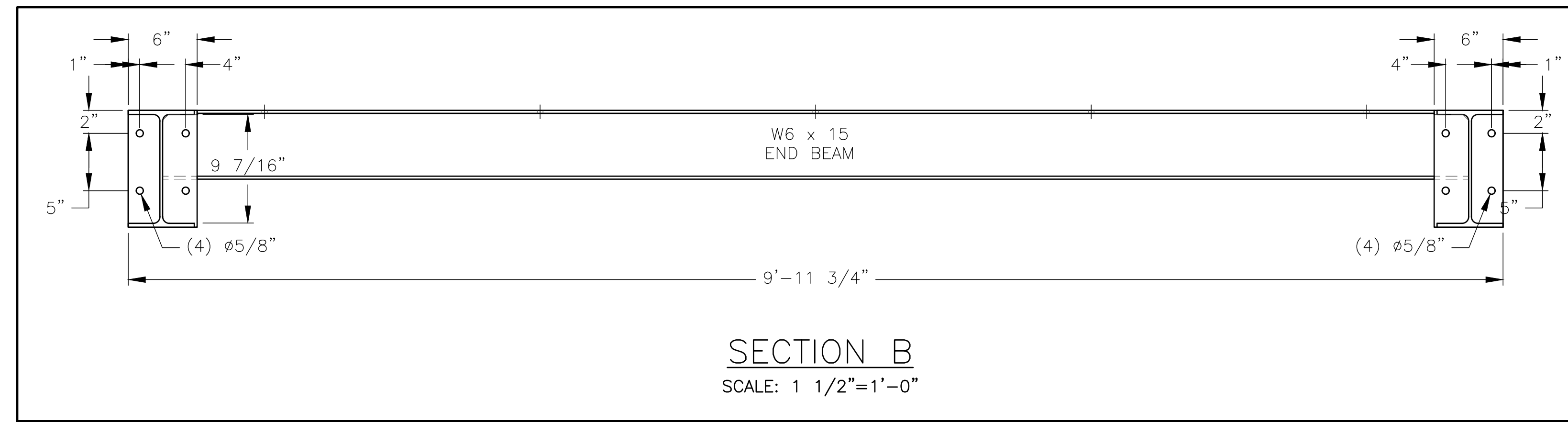
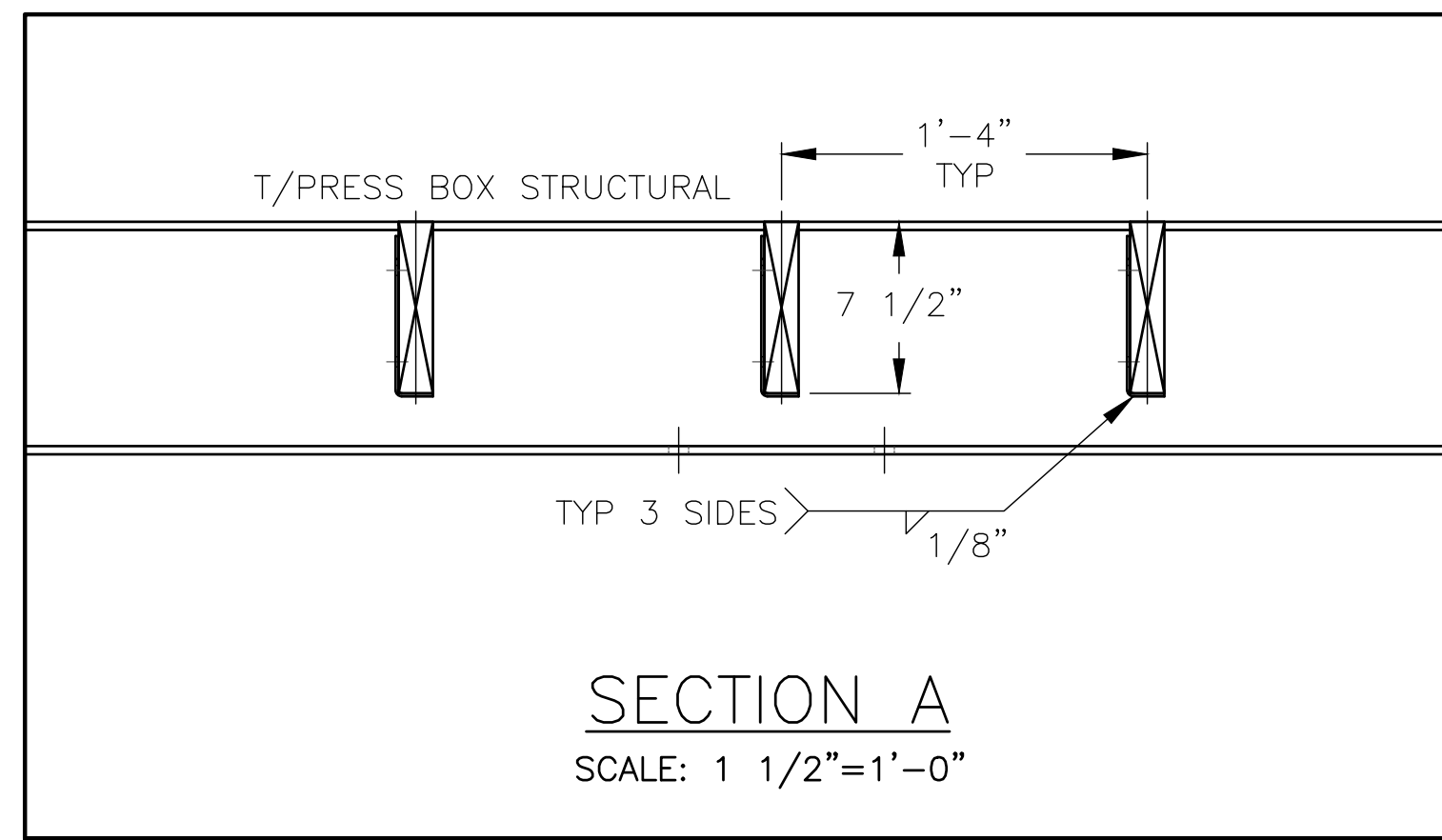
BOTTOM VIEW

1 PRESS BOX SYSTEM STRUCTURAL PLAN
SCALE: 3/8" = 1'-0"

REV	DATE	DESCRIPTION	REV BY:
0	09-19-19	SUBMITTED FOR A/E REVIEW	ALR

JW INDUSTRIES INC.
 5662 Glendale Ave.
 Green Bay, WI 54313
 (920) 865-7307 Fax (920) 865-7777
 jwoffice@jwindustriesinc.com
"We provide everything except the spectators."

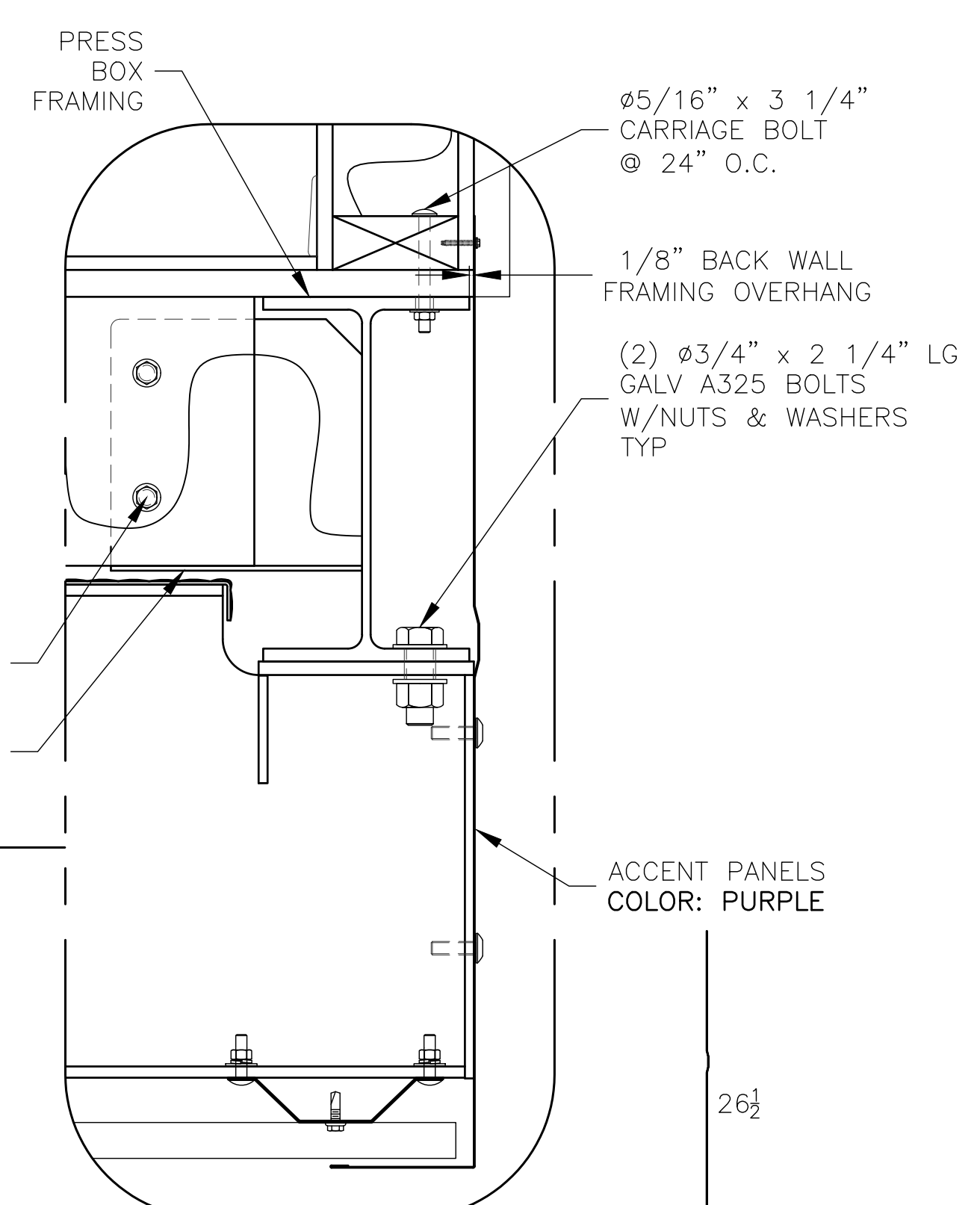
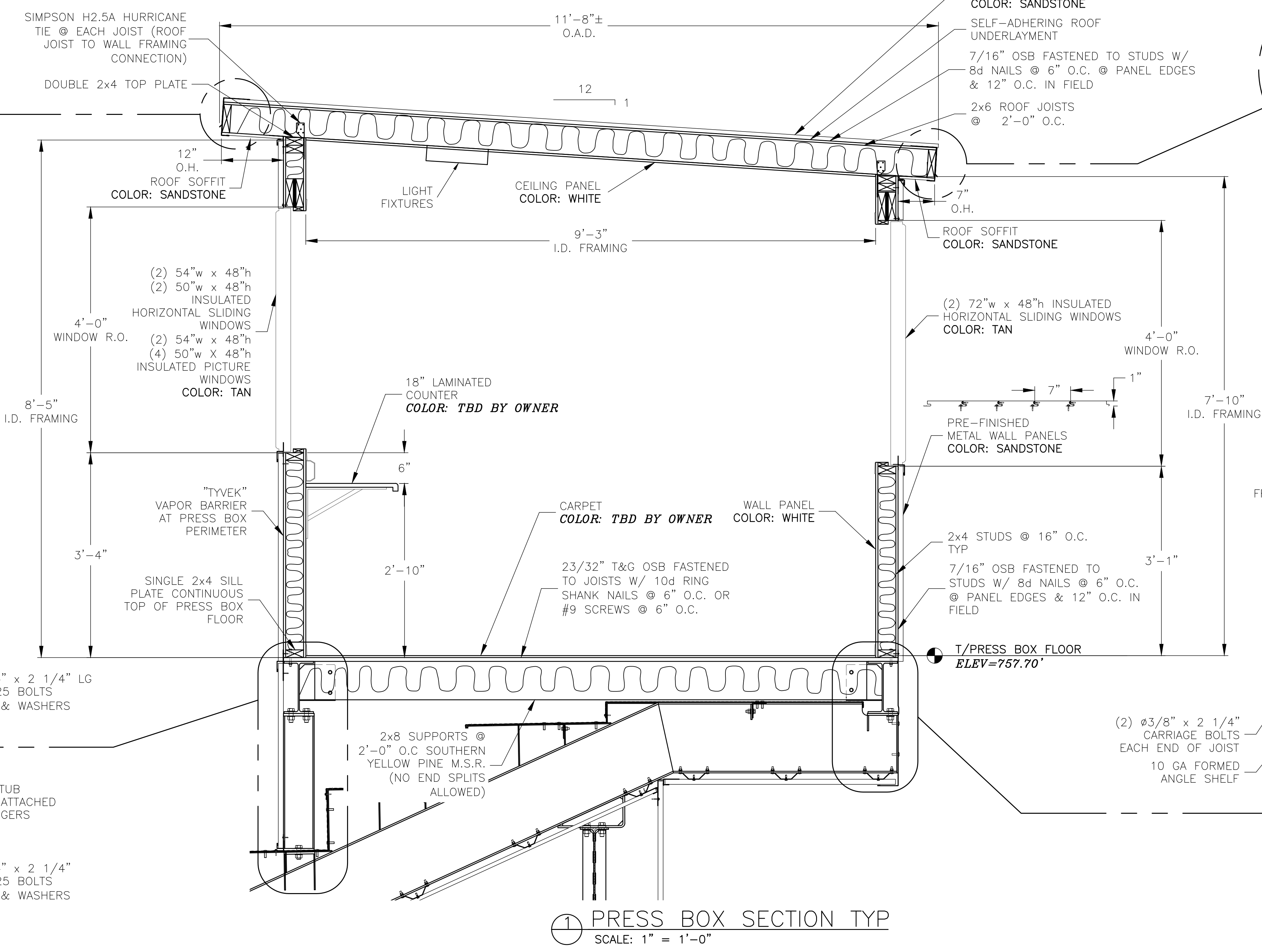
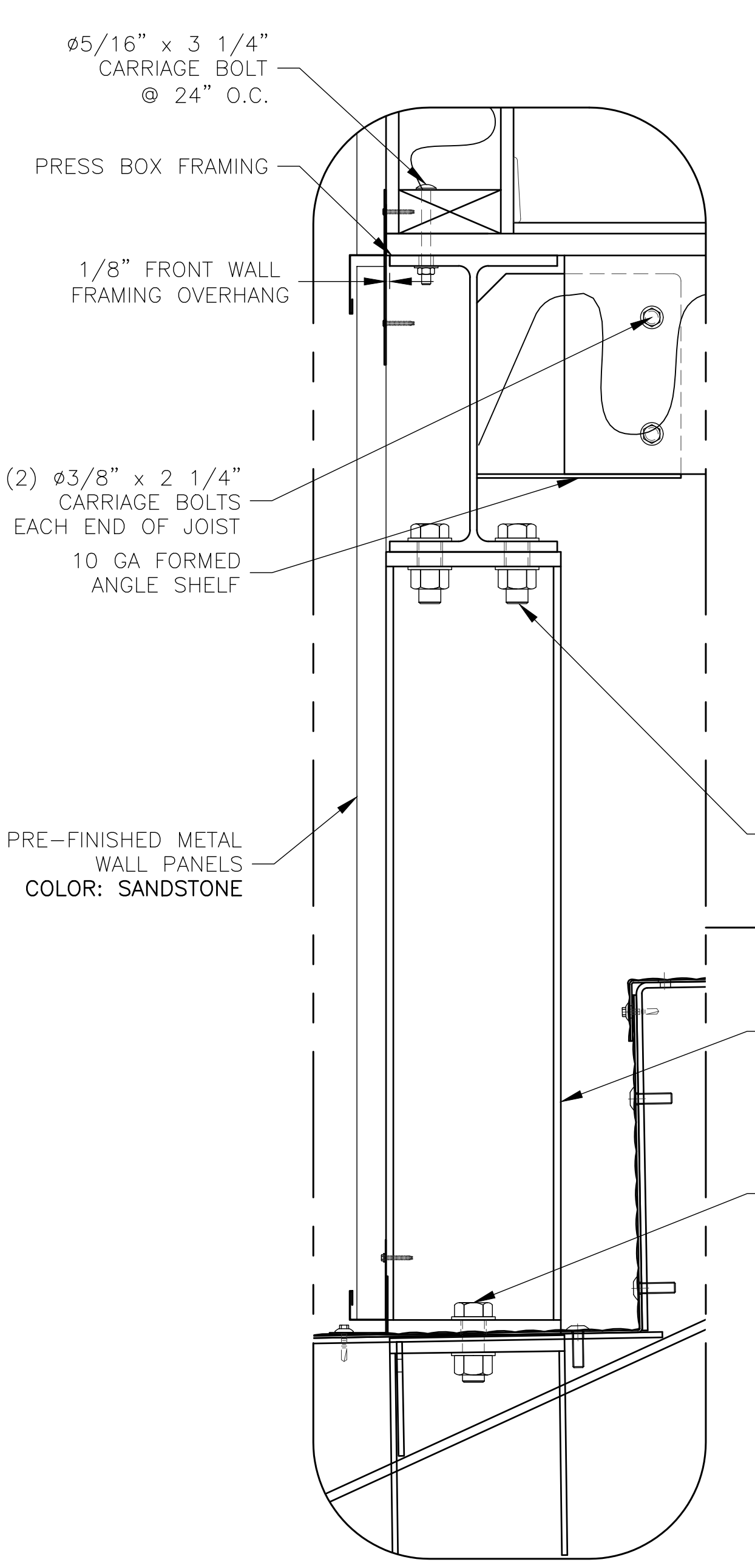
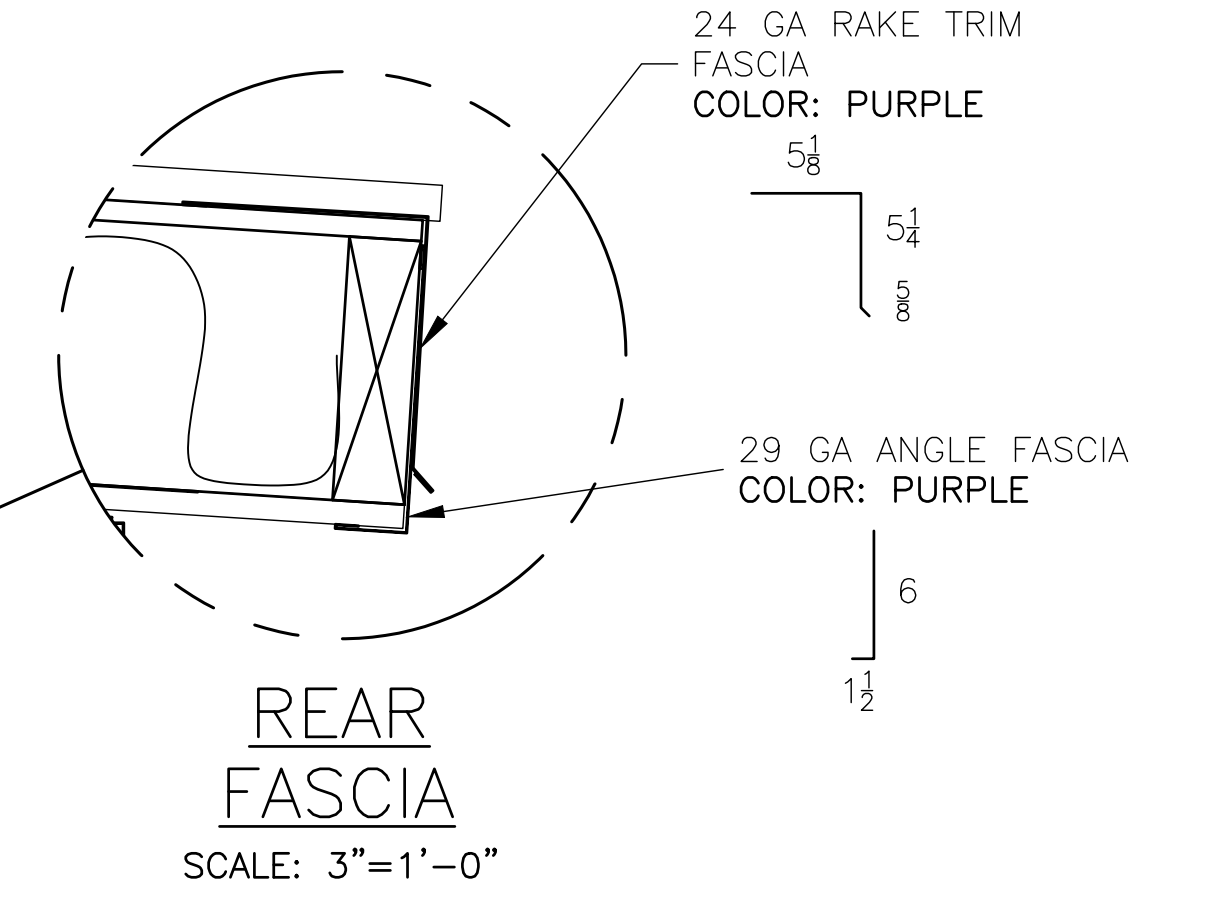
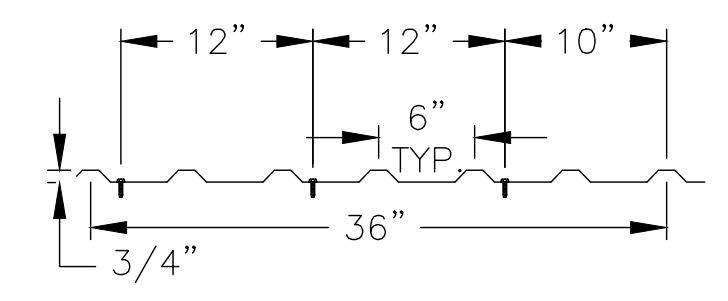
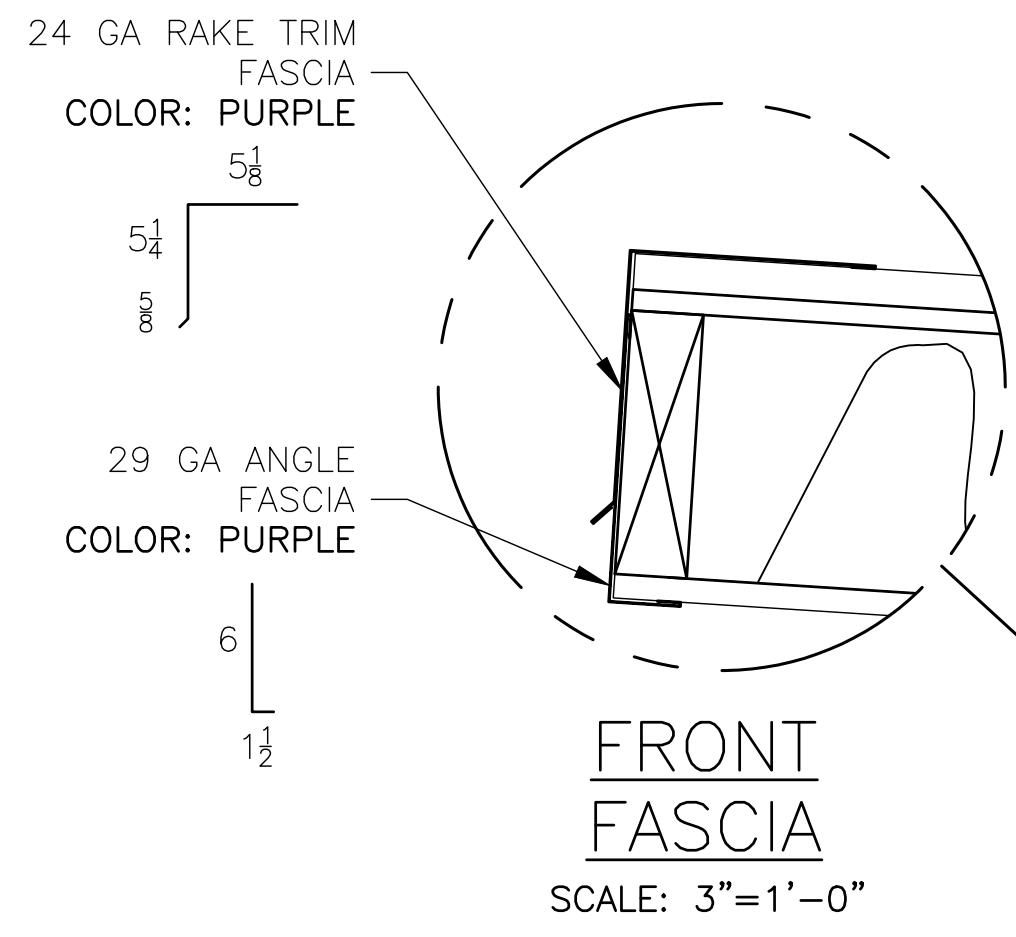
PROJECT:	STADIUM, PRESS BOX, & ENCLOSURE SYSTEMS
CLIENT:	DOWNERS GROVE NORTH COMMUNITY HIGH SCHOOL
DESIGN FIRM:	COMMUNITY HIGH SCHOOL DISTRICT 99
ARCHITECT:	RICE ENGINEERING, INC.
	WIGHT & COMPANY
JOB#: 19332	DATE: 09-19-19 DRAWN BY: ALR/REI SHEET NUMBER: 42 OF 46



REV	DATE	DESCRIPTION	REV BY:
0	09-19-19	SUBMITTED FOR A/E REVIEW	ALR

JW INDUSTRIES INC.
 5662 Glendale Ave.
 Green Bay, WI 54313
 (920) 865-7307 Fax (920) 865-7777
 jwoffice@jwindustriesinc.com
"We provide everything except the spectators."

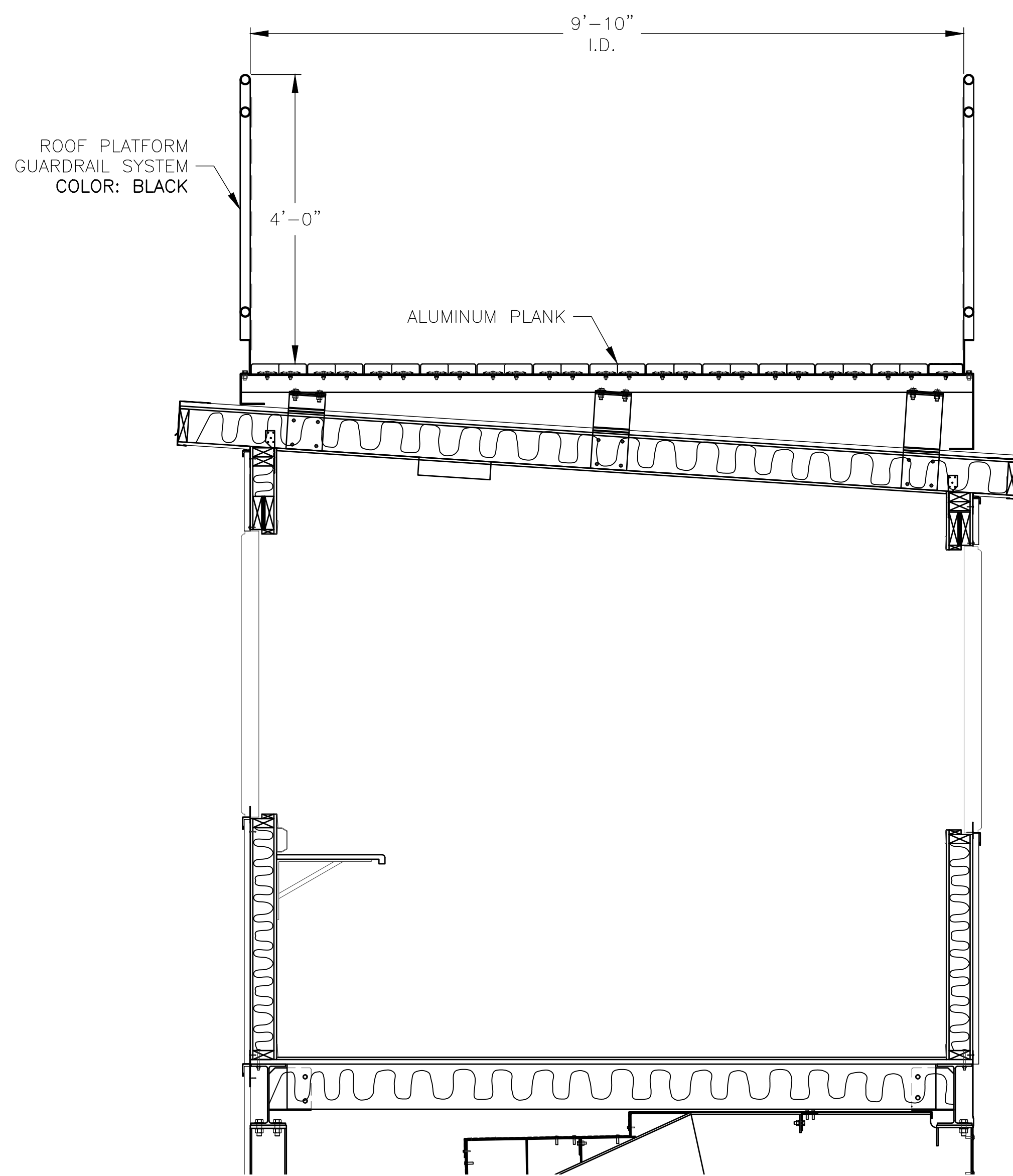
PROJECT:	STADIUM, PRESS BOX, & ENCLOSURE SYSTEMS
CLIENT:	DOWNERS GROVE NORTH COMMUNITY HIGH SCHOOL
DESIGN FIRM:	COMMUNITY HIGH SCHOOL DISTRICT 99
ARCHITECT:	RICE ENGINEERING, INC.
	WIGHT & COMPANY
JOB#: 19332	DATE: 09-19-19 DRAWN BY: ALR/REI SHEET NUMBER: 43 OF 46



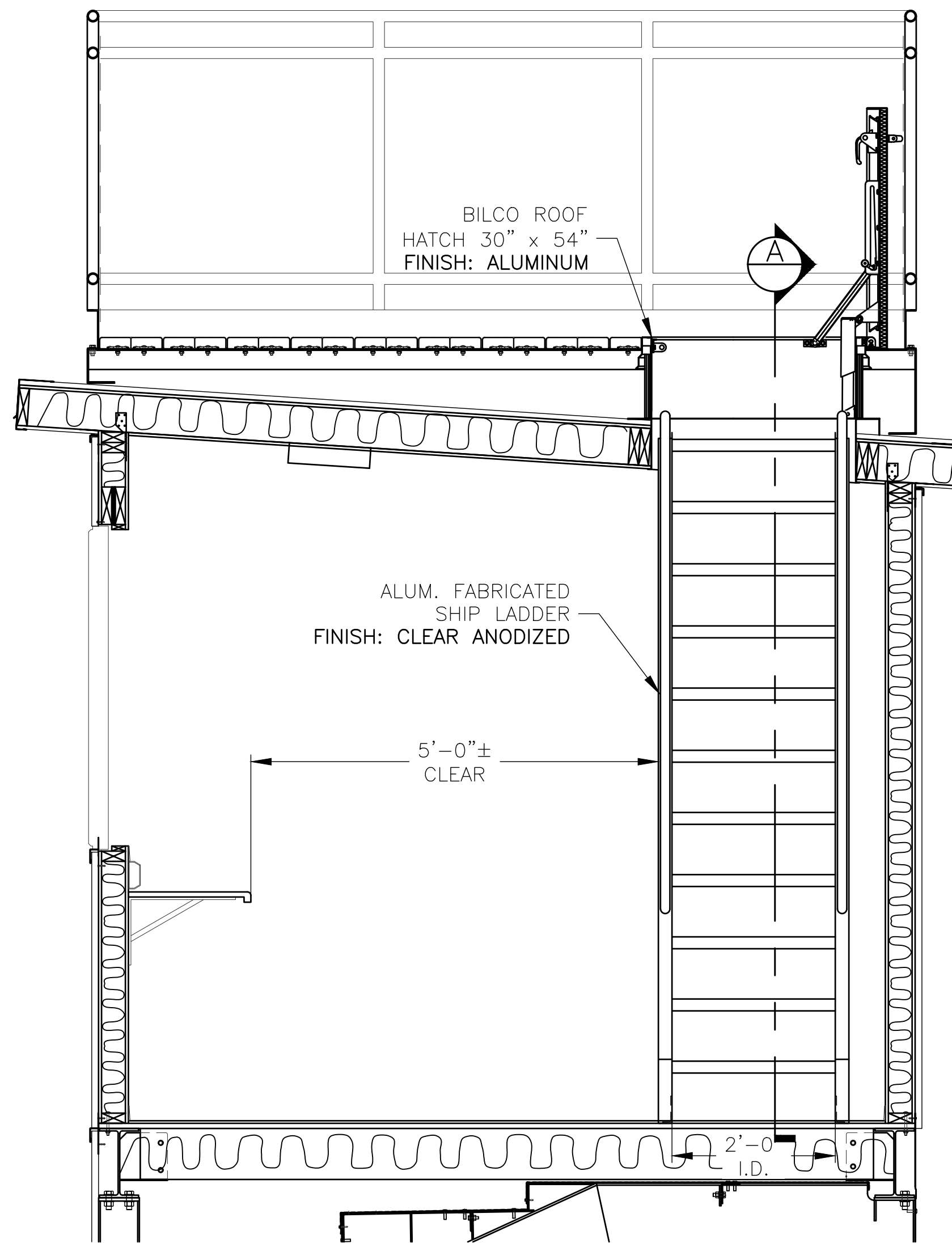
REV	DATE	DESCRIPTION	REV BY:
0	09-19-19	SUBMITTED FOR A/E REVIEW	ALR

JW INDUSTRIES INC.
5662 Glendale Ave.
Green Bay, WI 54313
(920) 865-7307 Fax (920) 865-7777
jwoffice@jwindustriesinc.com
"We provide everything except the spectators."

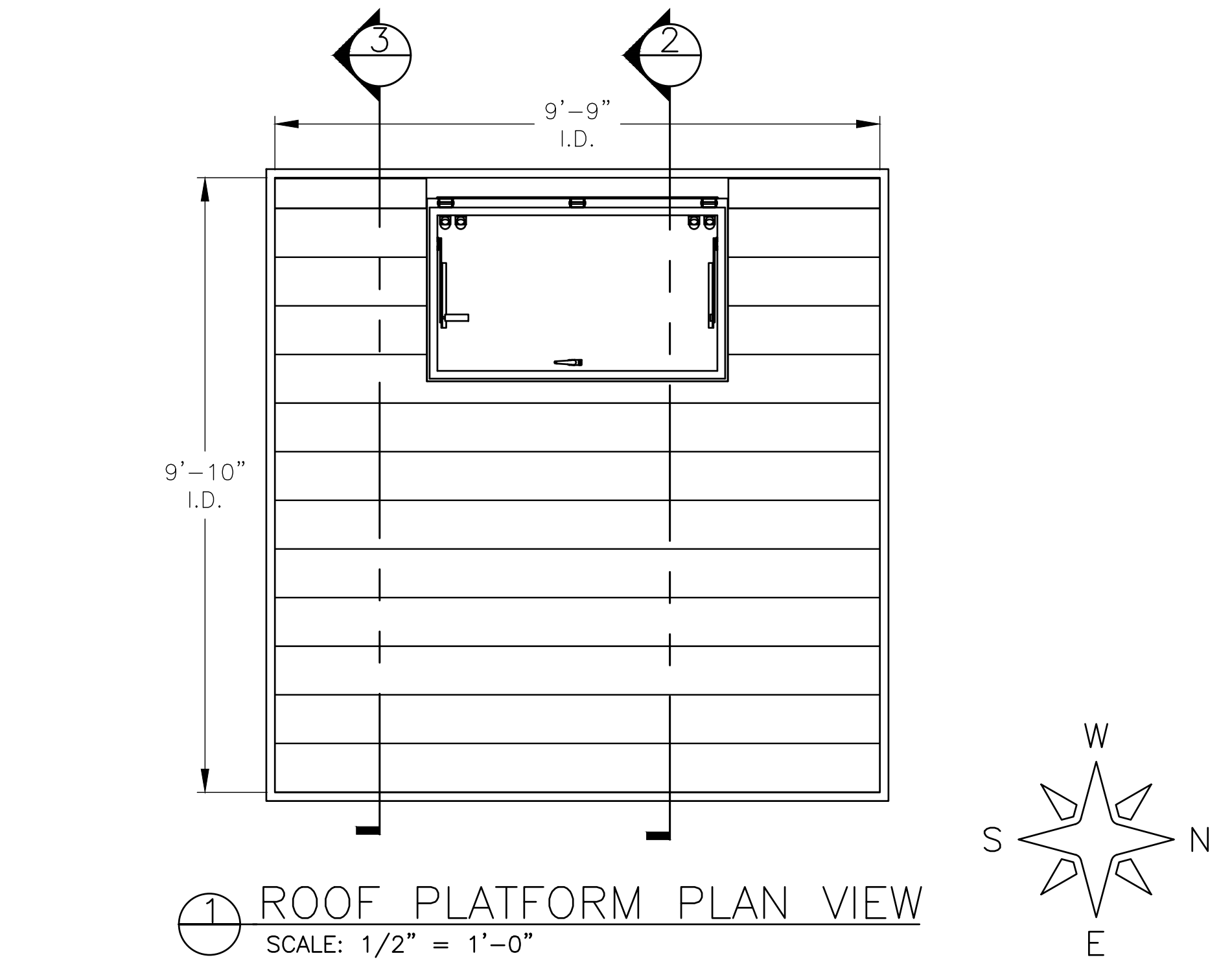
PROJECT:	STADIUM, PRESS BOX, & ENCLOSURE SYSTEMS
CLIENT:	DOWNERS GROVE NORTH COMMUNITY HIGH SCHOOL
DESIGN FIRM:	COMMUNITY HIGH SCHOOL DISTRICT 99
ARCHITECT:	RICE ENGINEERING, INC.
	WIGHT & COMPANY
JOB#:	19332
DATE:	09-19-19
DRAWN BY:	ALR/REI
SHEET NUMBER:	44 OF 46



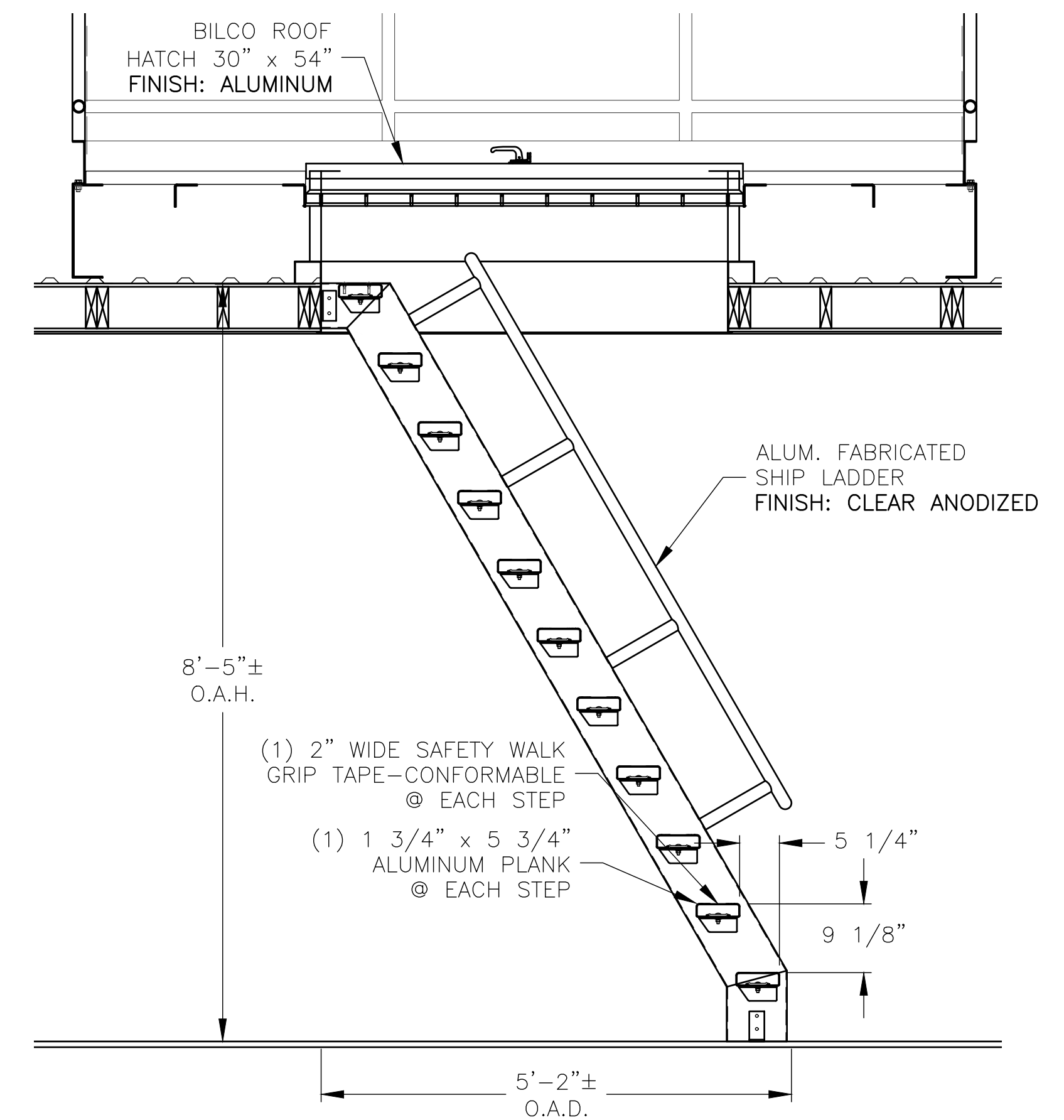
③ PRESS BOX SECTION @ ROOF PLATFORM
SCALE: 3/4" = 1'-0"



② PRESS BOX SECTION @ ROOF HATCH
SCALE: 3/4" = 1'-0"



① ROOF PLATFORM PLAN VIEW
SCALE: 1/2" = 1'-0"

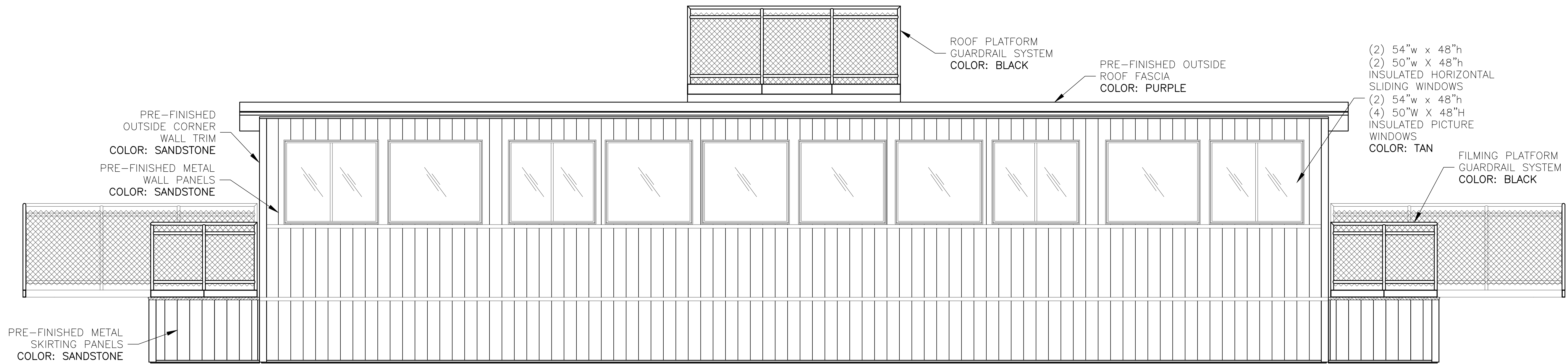


Ⓐ SHIP LADDER
SCALE: 3/4" = 1'-0"

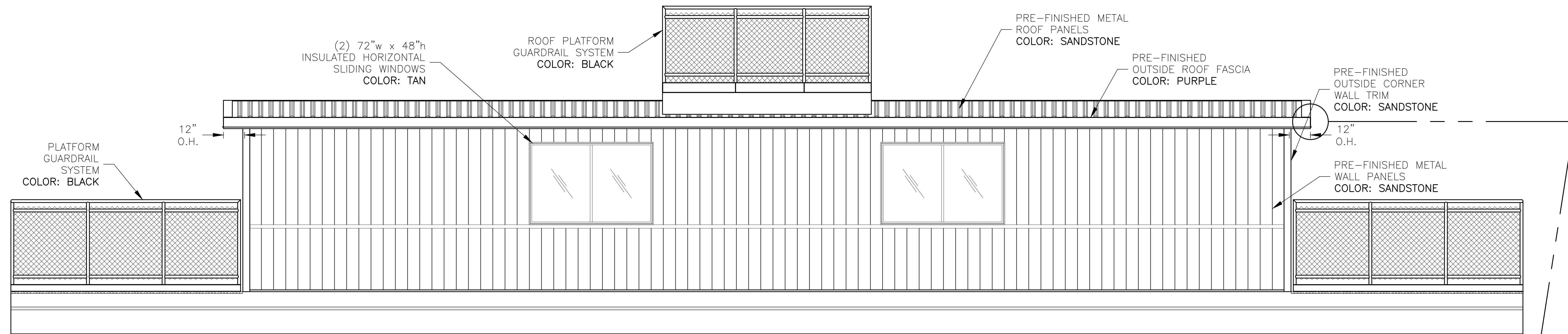
REV	DATE	DESCRIPTION	REV BY:
0	09-19-19	SUBMITTED FOR A/E REVIEW	ALR

JW INDUSTRIES INC.
 5662 Glendale Ave.
 Green Bay, WI 54313
 (920) 865-7307 Fax (920) 865-7777
 jwoffice@jwindustriesinc.com
"We provide everything except the spectators."

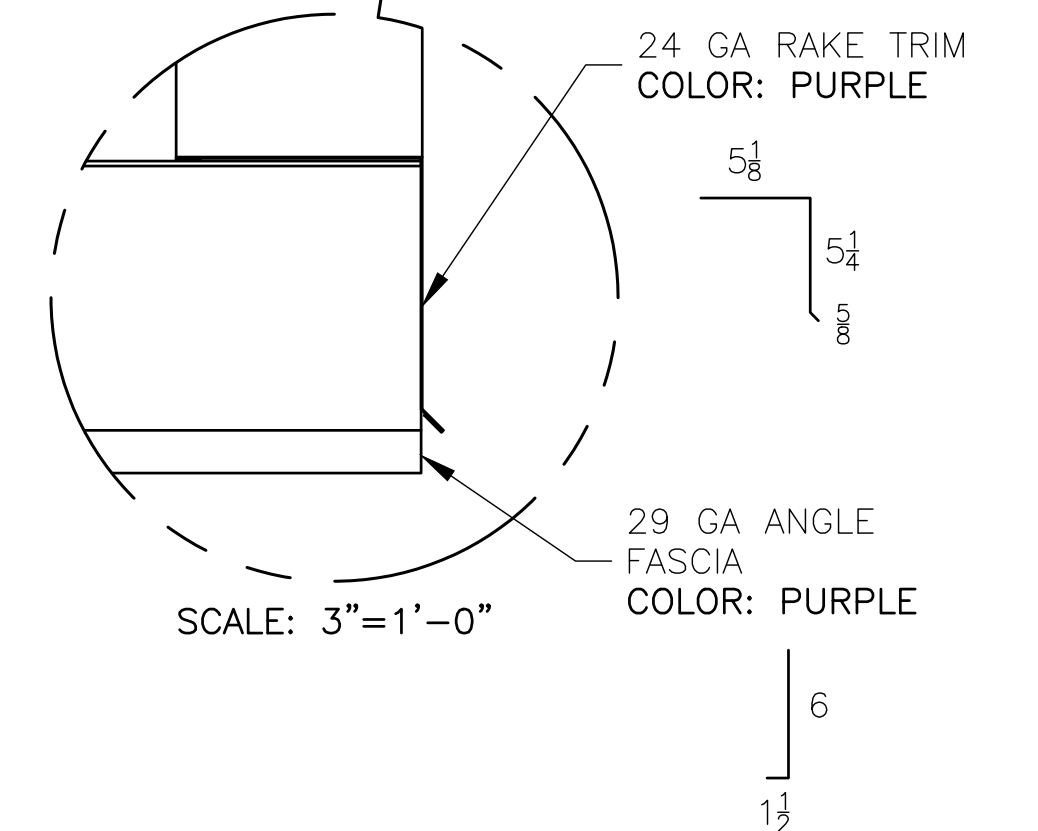
PROJECT:	STADIUM, PRESS BOX, & ENCLOSURE SYSTEMS
CLIENT:	DOWNERS GROVE NORTH COMMUNITY HIGH SCHOOL
DESIGN FIRM:	COMMUNITY HIGH SCHOOL DISTRICT 99
ARCHITECT:	RICE ENGINEERING, INC.
	WIGHT & COMPANY
JOB#: 19332	DATE: 09-19-19 DRAWN BY: ALR/REI SHEET NUMBER: 45 OF 46



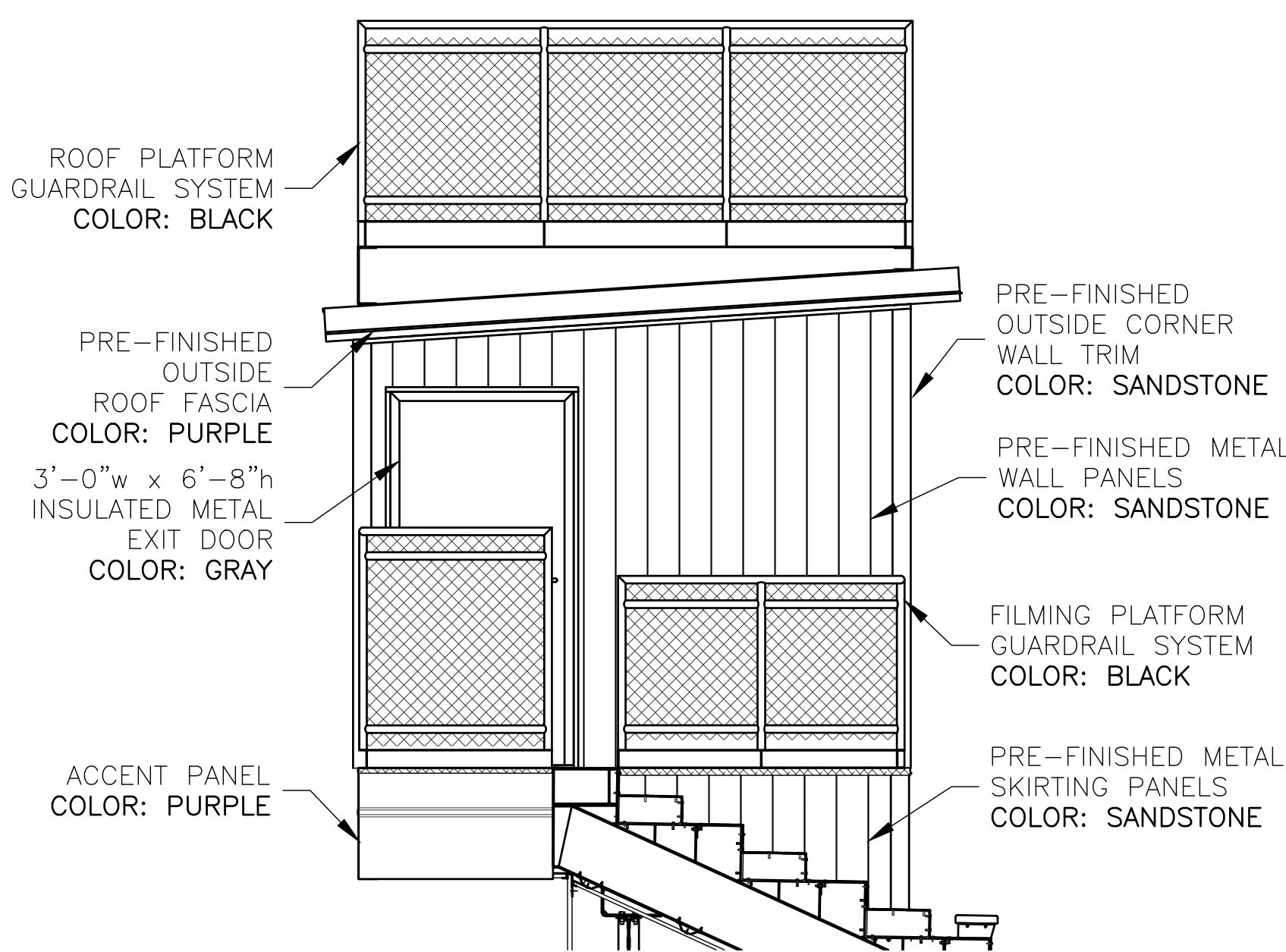
(A) PRESS BOX FRONT ELEVATION (EAST)
SCALE: 3/8" = 1'-0"



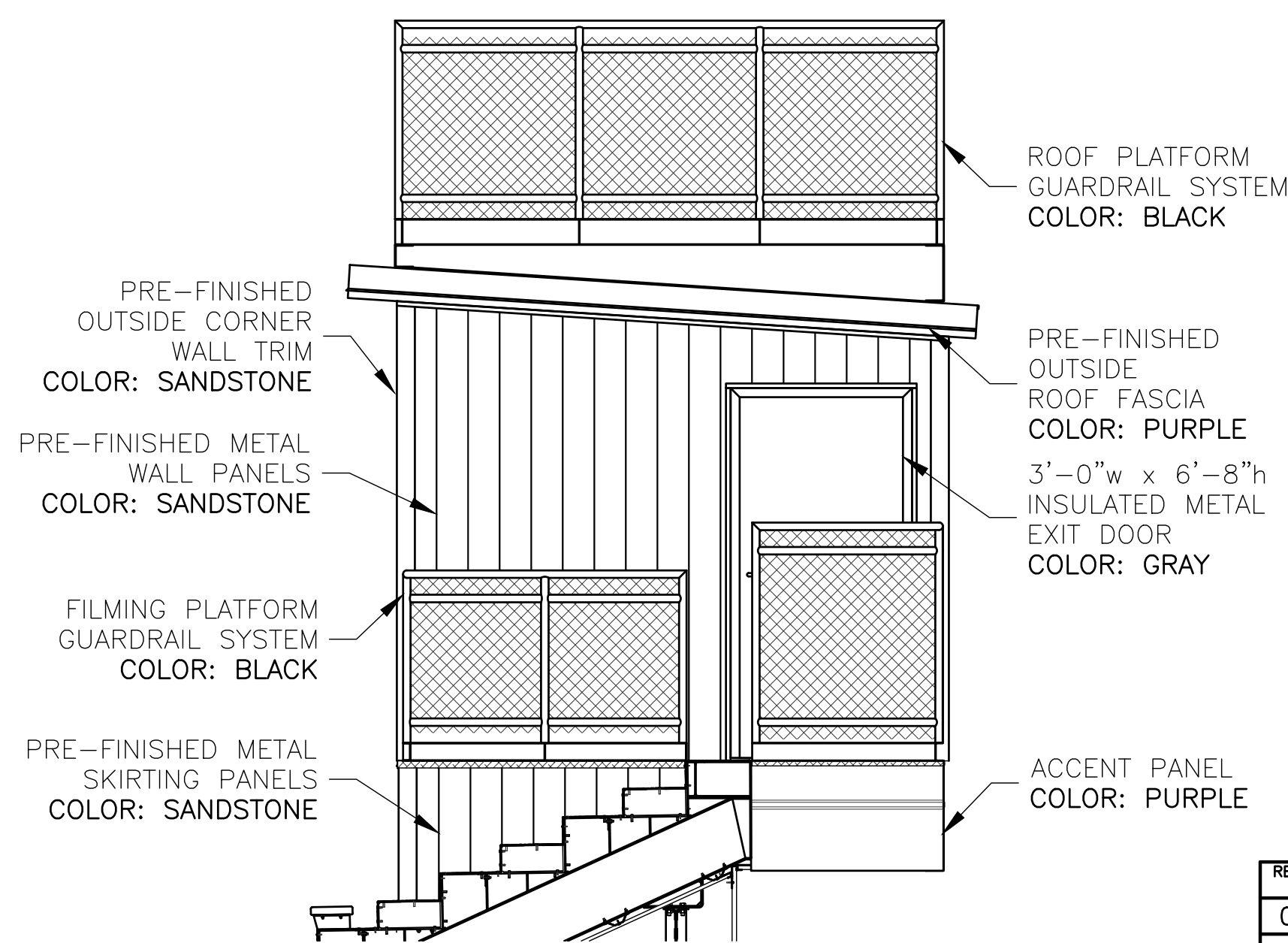
(B) PRESS BOX BACK ELEVATION (WEST)
SCALE: 3/8" = 1'-0"



SCALE: 3"=1'-0"
29 GA ANGLE FASCIA COLOR: PURPLE



(D) PRESS BOX SIDE ELEVATION (SOUTH)
SCALE: 3/8" = 1'-0"



(C) PRESS BOX SIDE ELEVATION (NORTH)
SCALE: 3/8" = 1'-0"

REV	DATE	DESCRIPTION	REV BY:
0	09-19-19	SUBMITTED FOR A/E REVIEW	ALR

JW INDUSTRIES INC.
5662 Glendale Ave.
Green Bay, WI 54313
(920) 865-7307 Fax (920) 865-7777
jwoffice@jwindustriesinc.com
"We provide everything except the spectators."

PROJECT:	STADIUM, PRESS BOX, & ENCLOSURE SYSTEMS
CLIENT:	DOWNERS GROVE NORTH COMMUNITY HIGH SCHOOL
DESIGN FIRM:	COMMUNITY HIGH SCHOOL DISTRICT 99
ARCHITECT:	RICE ENGINEERING, INC.
	WIGHT & COMPANY
JOB#:	19332
DATE:	09-19-19
DRAWN BY:	ALR/REI
SHEET NUMBER:	46 OF 46