



DATE: October 2, 2020

FROM: Wight & Company
2500 N. Frontage Road
Darien, IL 60561

SUBJECT: ADDENDUM #5 TO THE BIDDING DOCUMENTS FOR:
BID GROUP #11
MASTER FACILITY PLAN IMPLEMENTATION
COMMUNITY HIGH SCHOOL DISTRICT 99
1436 NORFOLK STREET
DOWNERS GROVE, IL 60516

Wight & Company

wightco.com

.....
2500 North Frontage Road

Darien, IL 60561

.....
P 630.969.7000

F 630.969.7979

This addendum forms a part of the Bidding Contract Documents, dated September 1, 2020. Bidders must acknowledge receipt of this Addendum in the space provided on the Bid Form. Drawing revisions clouded and tagged throughout with delta 106.

SOUTH

Question & Answer Log Attached

I. Clarifications

1. None.

II. Specifications

1. Added section 101314 EXTERIOR SIGNAGE.

III. Modified Drawings

ARCHITECTURAL

1. Sheet A9.37 CUSTOM ARCHITECTURAL WOODWORK – PHASE C (***Full size sheet reissued***)
 - a. Updated dimensions.

This addendum consists of: (1) Text Pages (1) Specification Sections, (1) Drawing Sheets, and (1) Question and Answer Log.

END OF ADDENDUM

SECTION 101413 – EXTERIOR SIGNAGE

PART 1 - GENERAL

1.1 RELATED DOCUMENTS

- A. Drawings and general provisions of the Contract, including General and Supplementary Conditions and Division 01 Specification Sections, apply to this Section.

1.2 SUMMARY

- A. Section Includes:

1. Dimensional characters.
2. Field-applied, vinyl-character signs.
3. **CUSTOM** signs.

- B. Related Requirements:

1. Division 01 Section "Temporary Facilities" for temporary project identification signs.

1.3 PREINSTALLATION MEETINGS

- A. Signage Conference: Conduct conference at Project site. Include Owner, Construction Manager, Contractor, and Architect. Incorporate signage conference decisions into final signage schedule after reviewing signage system including, but not limited to, the following:

1. Graphics and text.
2. Fonts and sizes.
3. Color selections.

1.4 ACTION SUBMITTALS

- A. Product Data: For each type of product indicated.

- B. Shop Drawings: For panel signs.

1. Include fabrication and installation details and attachments to other work.
2. Show sign mounting heights, locations of supplementary supports to be provided by other installers, and accessories.
3. Provide message list, typestyles, graphic elements, and layout for each sign.

- C. Samples for Initial Selection: Manufacturer's color charts consisting of actual units or sections of units showing the full range of colors available for the following:
 - 1. Die-cut vinyl characters and graphic symbols. Include representative samples of available typestyles and graphic symbols.
- D. Samples for Verification: For each of the following products and for the full range of color, texture, and sign material indicated, of sizes indicated:
 - 1. Dimensional Characters: Full-size Samples of each type of dimensional character (letter, number, and graphic element).
 - 2. Field-Applied, Vinyl-Character Signs: Full-size Sample of characters on glass.
 - 3. Aluminum: For each form, finish, and color, on 6-inch-long sections of extrusions and squares of sheet at least 4 by 4 inches.
 - 4. **CUSTOM** Signs: 8-inch Sample.
 - 5. Accessories: Manufacturer's full-size unit.
- E. Sign Schedule: Use same designations indicated on Drawings.
- F. Delegated-Design Submittal: For signs indicated in "Performance Requirements" Article.
 - 1. Include structural analysis calculations for signs indicated to comply with design loads; signed and sealed by the qualified Illinois-licensed structural engineer responsible for their preparation.
 - a. Submit shop drawings and calculations concurrently.

1.5 INFORMATIONAL SUBMITTALS

- A. Qualification Data: For fabricator and Illinois-licensed structural engineer.
- B. Color Matching Certificate: For computer color matching of colors.
- C. Evaluation Reports: For post-installed anchors and power-actuated fasteners, from ICC-ES or other qualified testing agency acceptable to authorities having jurisdiction.
- D. Sample Warranty: For special warranty.

1.6 CLOSEOUT SUBMITTALS

- A. Maintenance Data: For signs to include in maintenance manuals.

1.7 QUALITY ASSURANCE

- A. Installer Qualifications: Fabricator of products, or an employer of workers trained and approved by manufacturer.

- B. Fabricator Qualifications: Shop that employs skilled workers who custom-fabricate products similar to those required for this Project and whose products have a record of successful in-service performance.
- C. Color Matching: Custom computer-match paint colors to colors matching Architect's Samples.

1.8 FIELD CONDITIONS

- A. Weather Limitations: Proceed with installation only when existing and forecasted weather conditions permit installation of signs in exterior locations to be performed according to manufacturers' written instructions and warranty requirements.

1.9 WARRANTY

- A. Special Warranty: Manufacturer's standard form in which manufacturer agrees to repair or replace components of signs that fail in materials or workmanship within specified warranty period.
 - 1. Failures include, but are not limited to, the following:
 - a. Deterioration of metal and polymer finishes beyond normal weathering.
 - 2. Warranty Period: Five years from date of Substantial Completion.

PART 2 - PRODUCTS

2.1 MANUFACTURERS

- A. Source Limitations for Signs: Obtain each sign type indicated from one source from a single manufacturer.

2.2 PERFORMANCE REQUIREMENTS

- A. Delegated Design: Engage a qualified professional engineer, as defined in Division 01 Section "Quality Requirements," to design sign structure and anchorage of wall-mounted signs according to structural performance requirements.
- B. Structural Performance: Signs and supporting elements shall withstand the effects of gravity and other loads within limits and under conditions indicated.
 - 1. Uniform Wind Load: 25 psf.
- C. Thermal Movements: For exterior dimensional characters, allow for thermal movements from ambient and surface temperature changes.
 - 1. Temperature Change: 120 deg F, ambient; 180 deg F, material surfaces.

2.3 DIMENSIONAL CHARACTERS

- A. Manufacturers: Subject to compliance with requirements, provide products by one of the following:
1. A.R.K. Ramos.
 2. ACE Sign Systems, Inc.
 3. ASI Sign Systems, Inc.
 4. Gemini Incorporated.
 5. Metal Arts.
 6. Southwell Company (The).
- B. Cutout Characters: Provide characters with square-cut, smooth, eased edges. Comply with the following requirements:
1. Aluminum sheet, thickness as indicated on Drawings.
 - a. Finish:
 - 1) Baked-Enamel or Powder-Coat Finish: Manufacturer's standard, in color matching Architect's sample.
 2. Mounting: Projected with concealed noncorroding studs for substrates encountered.

2.4 FIELD-APPLIED, VINYL-CHARACTER SIGNS

- A. Field-Applied, Vinyl-Character Sign: Die-cut, prespaced characters, suitable for exterior applications, die cut from 3- to 3.5-mil thick, weather-resistant vinyl film with release liner on the back and carrier film on the front for on-site alignment and application.
1. Manufacturers: Subject to compliance with requirements, provide products by one of the following:
 - a. Allen Markings International.
 - b. APCO Graphics, Inc.
 - c. ASI Sign Systems, Inc.
 - d. Best Sign Systems Inc.
 - e. Mohawk Sign Systems.
 - f. Nelson-Harkins Industries.
 - g. Seton Identification Products.
 2. Ensure that edges and corners of finished letterforms and graphics are true and clean. Do not use letterforms and graphics with rounded positive or negative corners, nicked, cut, or ragged edges.
 3. Text and Font: As indicated.
 4. Size: As indicated.
 5. Color: As selected by Architect from manufacturer's full range.
 6. Mounting: Adhesive for substrates encountered.
 7. Vinyl Dimensional Character Sign Schedule: As indicated on Drawings.

2.5 CUSTOM SIGNAGE

- A. **CUSTOM** Wall-Mounted Metal Panel Signs: Sign with smooth, uniform surfaces; with message and characters having uniform faces, sharp corners, and precisely formed lines and profiles; and as follows:
1. Solid-Sheet Sign: Aluminum sheet with finish specified in "Surface Finish and Applied Graphics" Subparagraph and as follows:
 - a. Thickness: As indicated on Drawings.
 2. Sign-Panel Perimeter: Finish edges smooth.
 - a. Edge Condition: Square cut.
 3. Mounting: Projected with concealed noncorroding studs for substrates encountered.
 4. Surface Finish and Applied Graphics:
 - a. Baked-Enamel or Powder-Coat Finish and Graphics: Manufacturer's standard, in **CUSTOM** color matching Architect's sample.
 5. Graphic Elements: As indicated on Drawings. Architect shall provide electronic file of graphic elements.
 6. Flatness Tolerance: Sign shall remain flat or uniformly curved under installed conditions as indicated on Drawings and within a tolerance of plus or minus 1/16 inch measured diagonally from corner to corner.

2.6 SIGNAGE MATERIALS

- A. Aluminum Sheet and Plate: ASTM B 209, alloy and temper recommended by aluminum producer and finisher for type of use and finish indicated, and with at least the strength and durability properties of Alloy 5005-H32.
- B. Paints and Coatings for Sheet Materials: Inks, dyes, and paints that are recommended by manufacturer for optimum adherence to surface and are UV and water resistant for colors and exposure indicated.

2.7 ACCESSORIES

- A. Fasteners and Anchors: Manufacturer's standard as required for secure anchorage of signage, noncorrosive and compatible with each material joined, and complying with the following:
1. Use concealed fasteners and anchors unless indicated to be exposed.
 2. For exterior exposure, furnish stainless-steel devices unless otherwise indicated.
 3. Sign Mounting Fasteners:
 - a. Projecting Studs: Threaded studs with sleeve spacer, welded or brazed to back of sign material, screwed into back of sign assembly, or screwed into

tapped lugs cast integrally into back of cast sign material, unless otherwise indicated.

- B. Adhesive: As recommended by sign manufacturer.

2.8 FABRICATION

- A. General: Provide manufacturer's standard signs of configurations indicated.
 - 1. Preassemble signs and assemblies in the shop to greatest extent possible. Disassemble signs and assemblies only as necessary for shipping and handling limitations. Clearly mark units for reassembly and installation; apply markings in locations concealed from view after final assembly.
 - 2. Mill joints to tight, hairline fit. Form joints exposed to weather to exclude water penetration.
 - 3. Comply with AWS for recommended practices in welding and brazing. Provide welds and brazes behind finished surfaces without distorting or discoloring exposed side. Clean exposed welded and brazed connections of flux, and dress exposed and contact surfaces.
 - 4. Conceal connections if possible; otherwise, locate connections where they are inconspicuous.
 - 5. Internally brace signs for stability and for securing fasteners.
 - 6. Provide rebates, lugs, and brackets necessary to assemble components and to attach to existing work. Drill and tap for required fasteners. Use concealed fasteners where possible; use exposed fasteners that match sign finish.

2.9 GENERAL FINISH REQUIREMENTS

- A. Protect mechanical finishes on exposed surfaces from damage by applying a strippable, temporary protective covering before shipping.
- B. Appearance of Finished Work: Noticeable variations in same piece are not acceptable. Variations in appearance of adjoining components are acceptable if they are within the range of approved Samples and are assembled or installed to minimize contrast.
- C. Organic, Anodic, and Chemically Produced Finishes: Apply to formed metal after fabrication.

2.10 ALUMINUM FINISHES

- A. Baked-Enamel or Powder-Coat Finish: AAMA 2603 except with a minimum dry film thickness of 1.5 mils. Comply with coating manufacturer's written instructions for cleaning, conversion coating, and applying and baking finish.

PART 3 - EXECUTION

3.1 EXAMINATION

- A. Examine substrates, areas, and conditions, with Installer present, for compliance with requirements for installation tolerances and other conditions affecting performance of work.
- B. Verify that sign-support surfaces are within tolerances to accommodate signs without gaps or irregularities between backs of signs and support surfaces unless otherwise indicated.
- C. Verify that items, including anchor inserts, are sized and located to accommodate signs.
- D. Proceed with installation only after unsatisfactory conditions have been corrected.

3.2 INSTALLATION

- A. General: Locate sign units and accessories where indicated, using mounting methods of the type described and in compliance with the manufacturer's instructions.
 - 1. Install signs level, plumb, and at the height indicated, with sign surfaces free from distortion or other defects in appearance.
 - 2. Before installation, verify that sign surfaces are clean and free of materials or debris that would impair installation.
 - 3. Corrosion Protection: Coat concealed surfaces of exterior aluminum in contact with grout, concrete, masonry, wood, or dissimilar metals, with a heavy coat of bituminous paint.
- B. Dimensional Characters and **CUSTOM** Signs: Mount characters and **CUSTOM** signs using standard fastening methods to comply with manufacturer's written instructions for character form, type of mounting, wall construction, and condition of exposure indicated. Provide heavy paper template to establish character spacing and to locate holes for fasteners.
 - 1. Projected Mounting: Mount characters at projection distance from wall surface indicated. Using a template, drill holes in substrate aligning with studs on back of sign. Remove loose debris from hole and substrate surface.
 - a. Masonry Substrates: Fill holes with adhesive. Leave recess space in hole for displaced adhesive. Place spacers on studs, place sign in position, and push until spacers are pinched between sign and substrate, embedding the stud ends in holes. Temporarily support sign in position until adhesive fully sets.
 - b. Thin or Hollow Surfaces: Place spacers on studs, place sign in position with spacers pinched between sign and substrate, and install washers and nuts on stud ends projecting through opposite side of surface, and tighten.

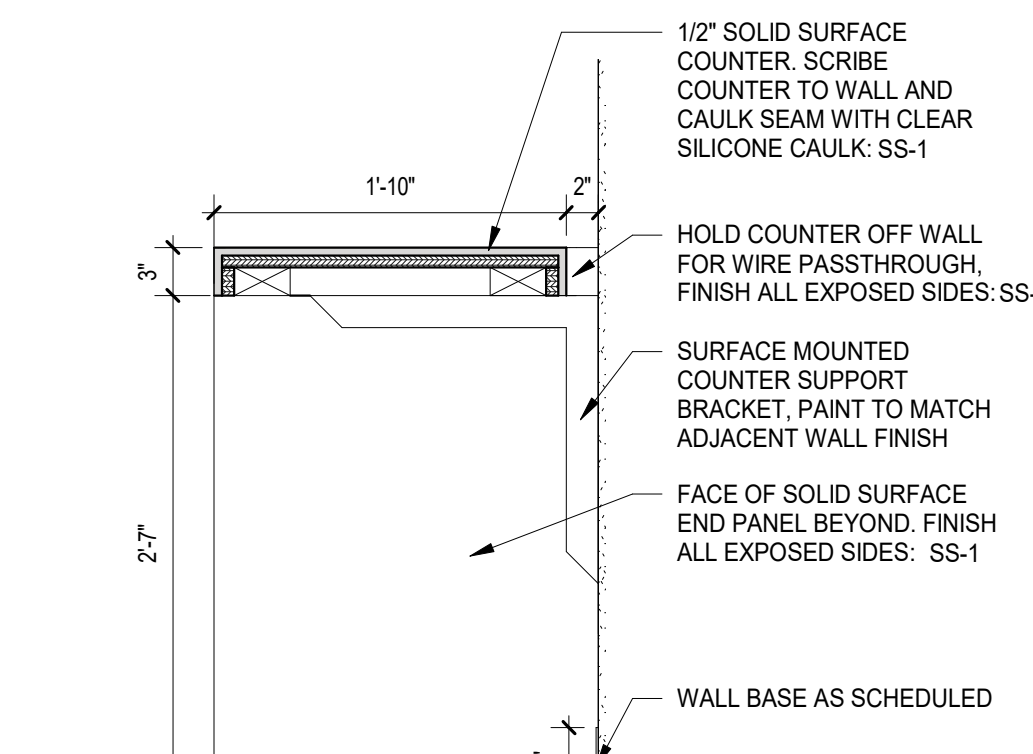
- C. Field-Applied, Vinyl Cut-Out Character Signs: Apply vinyl cut-out film characters according to manufacturer's written instructions. Clean and dry substrate. Align sign characters in final position before removing release liner. Remove release liner in stages, and apply and firmly press characters into final position. Press from the middle outward to obtain good bond without blisters or fishmouths. Remove carrier film without disturbing applied vinyl film.
 - 1. Apply copy to surfaces indicated, level, aligned, and with no trapped air bubbles.

3.3 ADJUSTING AND CLEANING

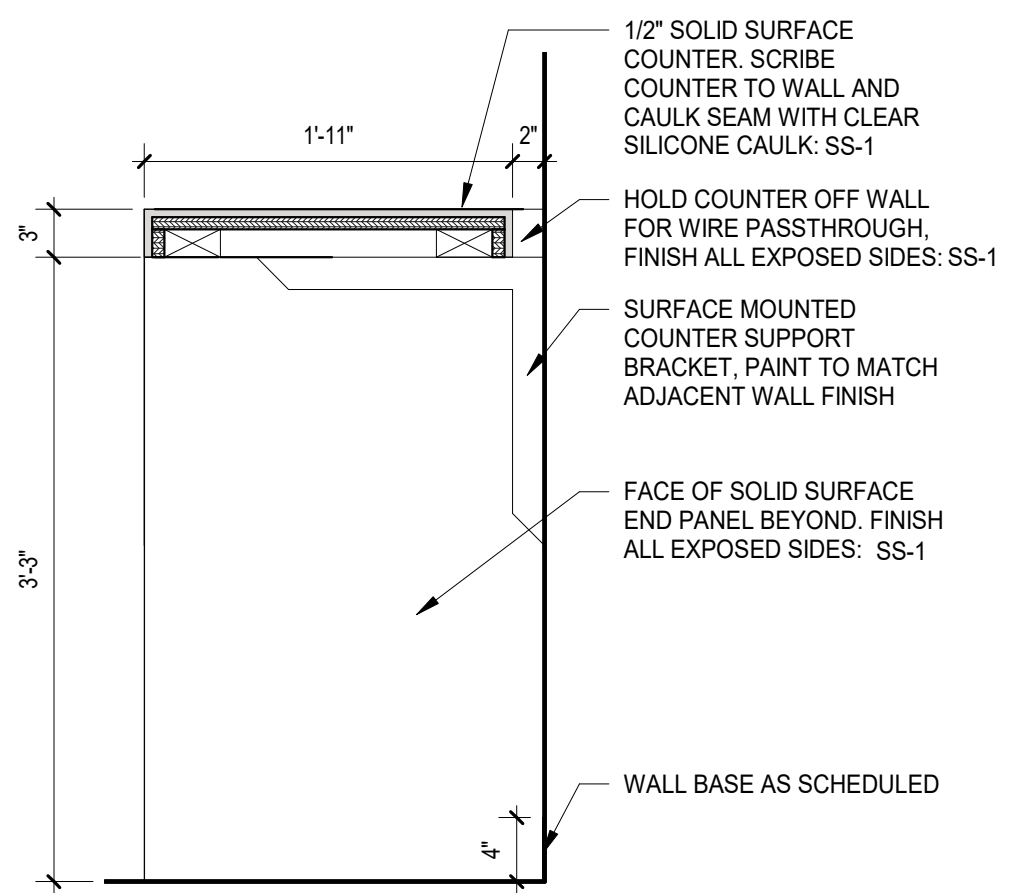
- A. Remove and replace damaged or deformed characters and signs that do not comply with specified requirements. Replace characters with damaged or deteriorated finishes or components that cannot be successfully repaired by finish touchup or similar minor repair procedures.
- B. Remove temporary protective coverings and strippable films as signs are installed.
- C. On completion of installation, clean exposed surfaces of signs according to manufacturer's written instructions, and touch up minor nicks and abrasions in finish. Maintain signs in a clean condition during construction and protect from damage until acceptance by Owner.

END OF SECTION 101413

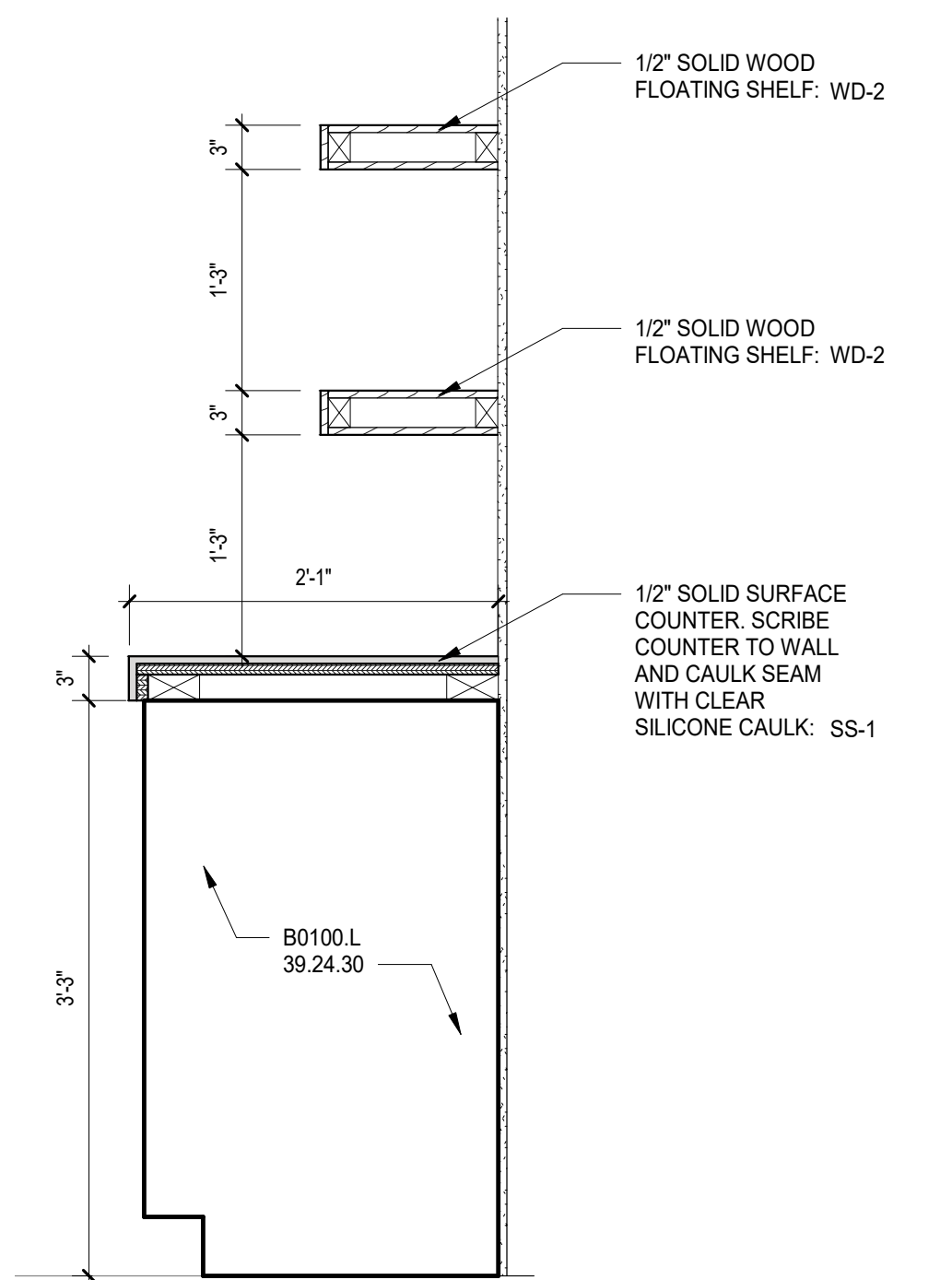
10/22/2020 8:50:20 AM
 C:\Users\jblask\Documents\2574-42_DGS_Arch_2019_Central_Bookst...
 Wight & Co. © Copyright 2018 All rights reserved. No part of these documents may be reproduced, stored, or transmitted in any form or by any means, electronic, mechanical, photocopying, recording or otherwise, without the prior written consent of Wight & Co.



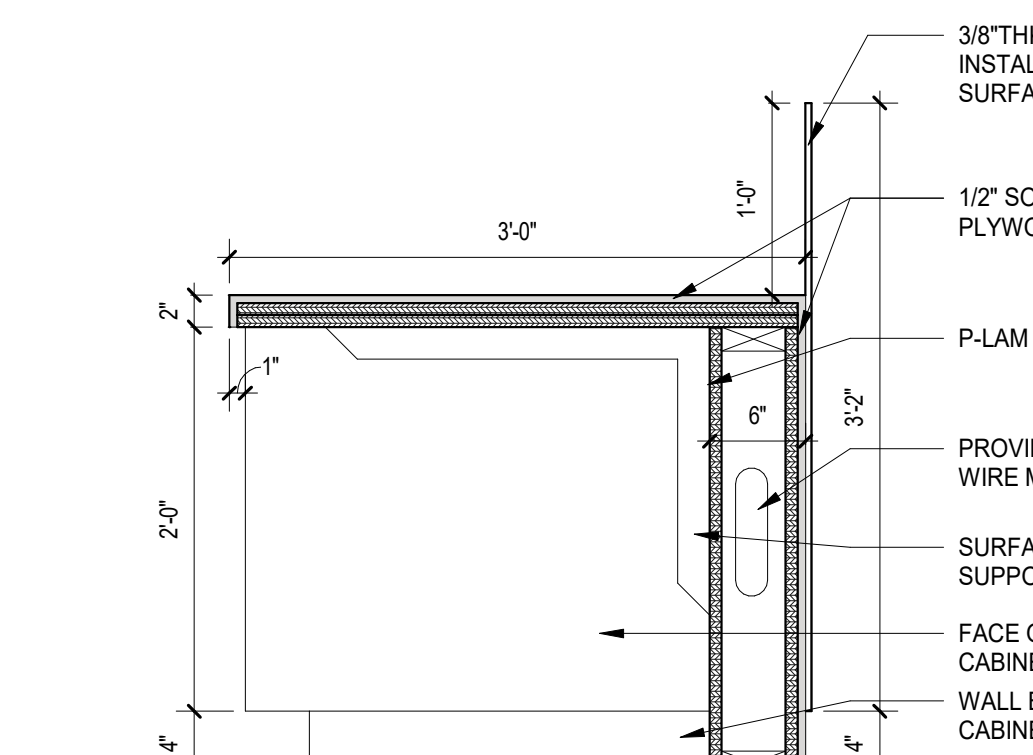
5 MILLWORK SECTION - LIBRARY CIRCULATION/HELP DESK - A
SCALE: 1" = 1'-0"



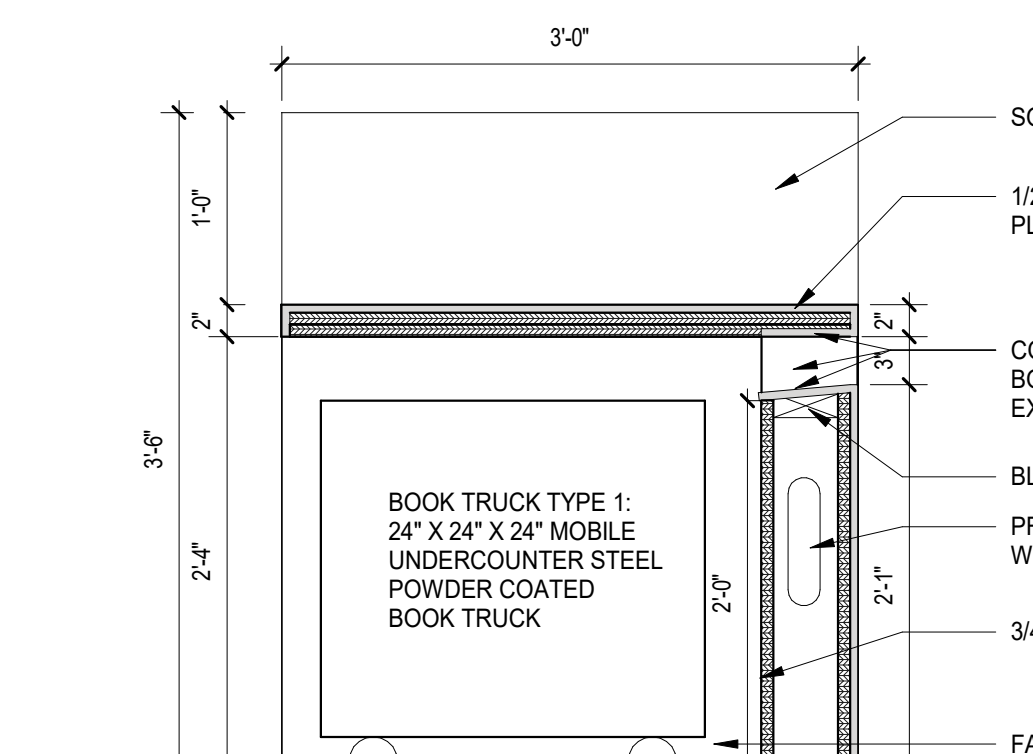
6 MILLWORK SECTION - LIBRARY CIRCULATION/HELP DESK - B
SCALE: 1" = 1'-0"



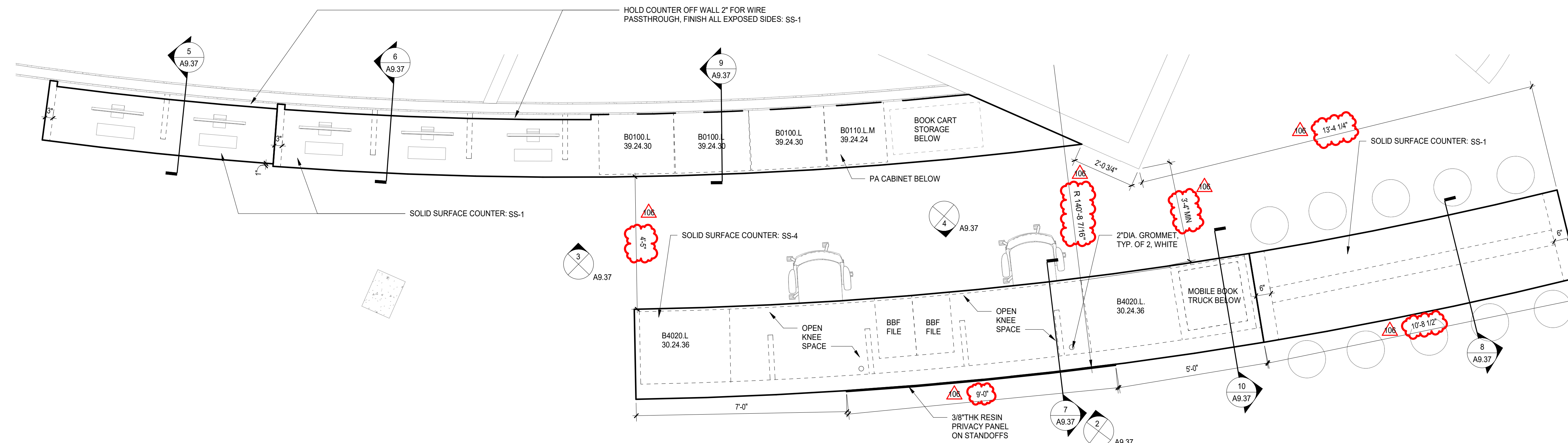
9 MILLWORK SECTION - LIBRARY CIRCULATION/HELP DESK - C
SCALE: 1" = 1'-0"



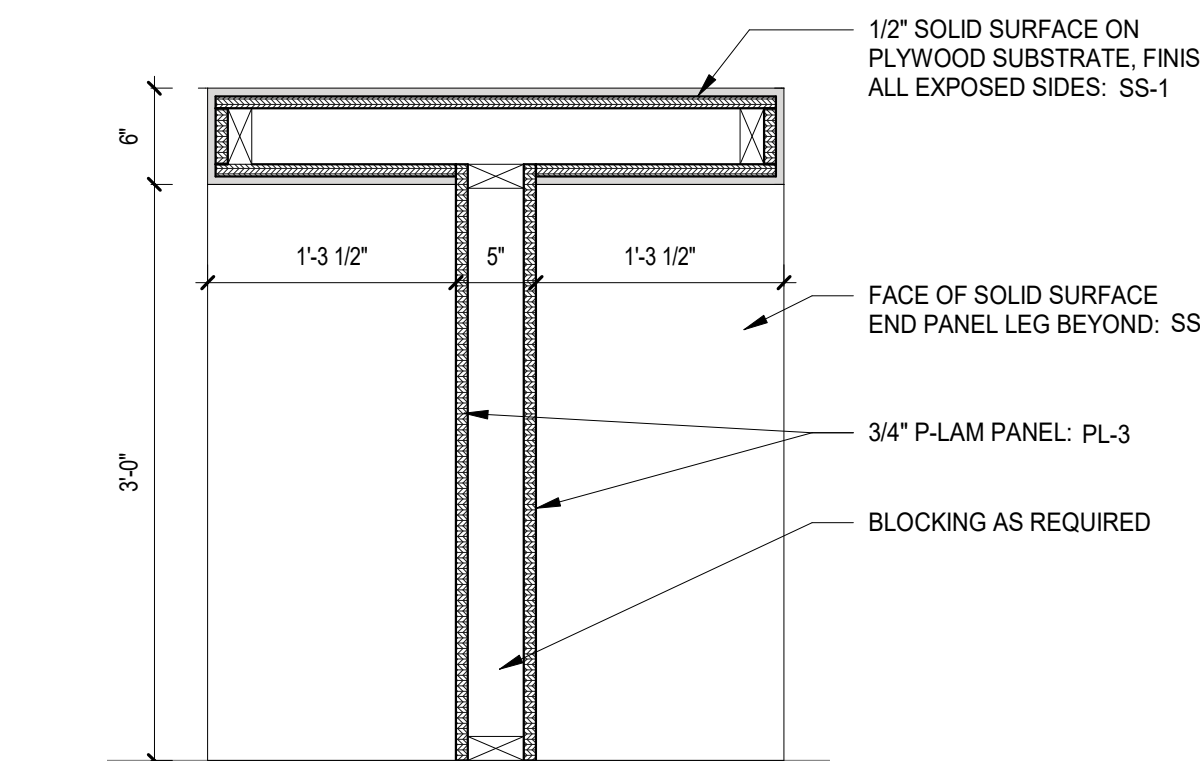
7 MILLWORK SECTION - LIBRARY CIRCULATION/HELP DESK - D
SCALE: 1" = 1'-0"



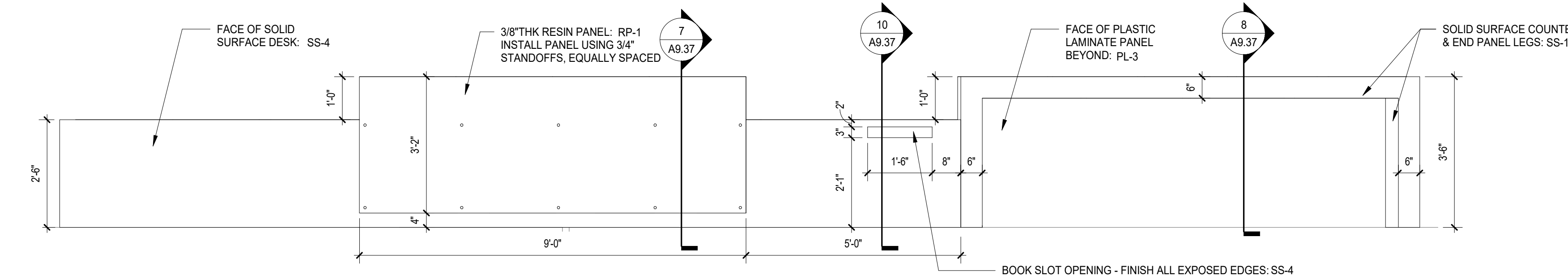
10 MILLWORK SECTION - LIBRARY CIRCULATION/HELP DESK - E
SCALE: 1" = 1'-0"



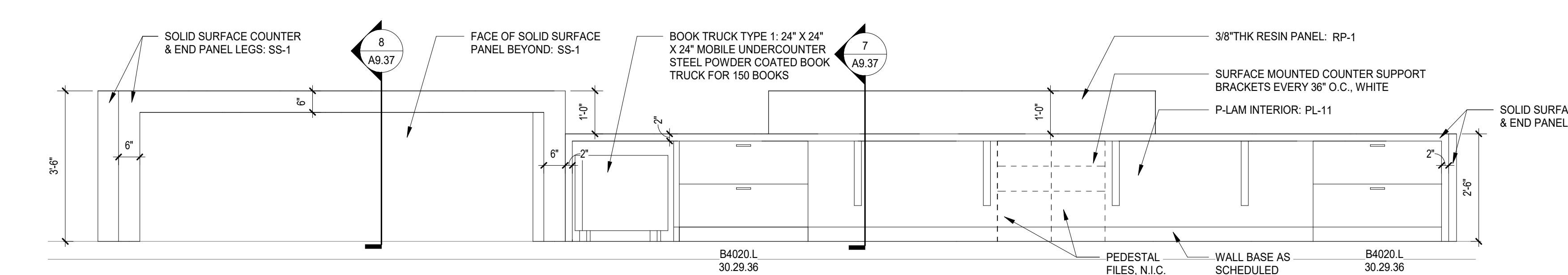
1 ENLARGED MILLWORK PLAN - LIBRARY CIRCULATION/HELP DESK
SCALE: 1/2" = 1'-0"



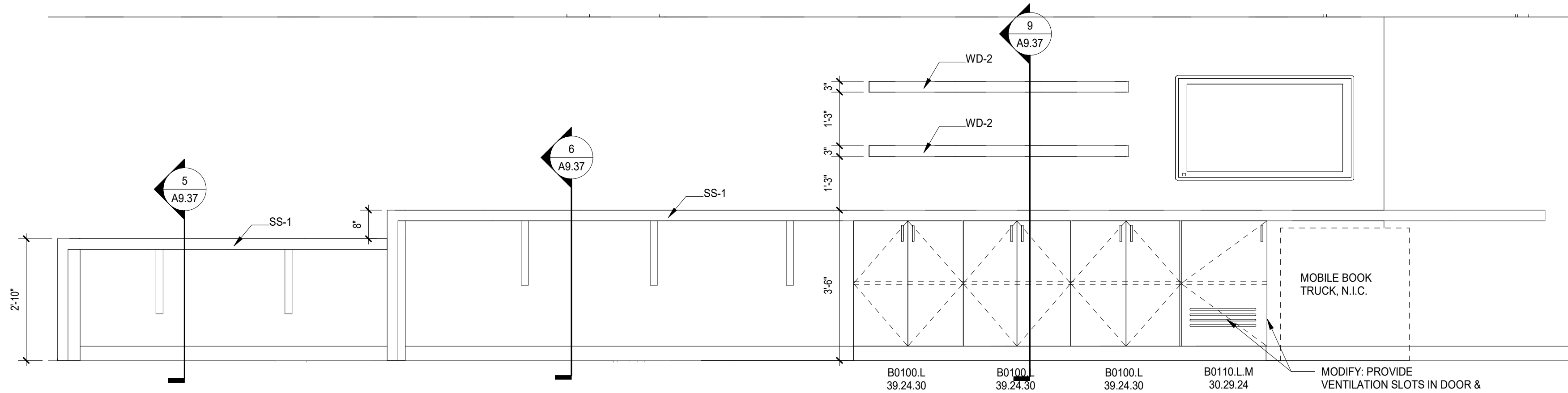
8 MILLWORK SECTION - LIBRARY CIRCULATION/HELP DESK - F
SCALE: 1" = 1'-0"



2 MILLWORK ELEVATION - LIBRARY CIRCULATION/HELP DESK SOUTH 1
SCALE: 1/2" = 1'-0"



4 MILLWORK ELEVATION - LIBRARY CIRCULATION/HELP DESK SOUTH 3
SCALE: 1/2" = 1'-0"



3 MILLWORK ELEVATION - LIBRARY CIRCULATION/HELP DESK SOUTH 2
SCALE: 1/2" = 1'-0"

CASEWORK GENERAL NOTES

- MODULAR CASEWORK - ALL CASEWORK CATALOG NUMBERS SHOWN U.N.O. REFLECT CASE SYSTEMS INC. PRODUCTS.
 CATALOG NUMBERS AND SIZES ARE INDICATED.
- XXXX.M PRODUCT STYLE
 XXXXXX
 HEIGHT DEPTH WIDTH
- THE LETTER "L" FOLLOWING A PRODUCT NUMBER INDICATES LOCKABLE CABINET.
 THE SYMBOL "M" FOLLOWING A PRODUCT NUMBER INDICATES MODIFIED PRODUCT AS NOTED.
- ALL COUNTER AND CABINET WIDTHS TO BE VERIFIED IN FIELD PRIOR TO MANUFACTURE.
 - BASE CABINETS ARE TO RECEIVE RUBBER BASE, U.N.O.
 - AT AREAS OF EXPOSED PANELS, PROVIDE FULL PLASTIC LAMINATE ENDS TO MATCH FACE CABINET.
 - AT WALL TO WALL CONDITIONS, PROVIDE FILLER PANELS AT VOIDS AS NEEDED. FILLER PANELS TO BE MINIMUM 2" WIDTH, U.N.O. FILLER PANELS TO BE DEFINED IN FIELD.
 - ALL PLASTIC LAMINATE EDGES SHALL HAVE 3MM PVC EDGE BANDING U.N.O.
 - PROVIDE BLOCKING AT ALL WALL HUNG ACCESSORIES, EQUIPMENT CASEWORK, BORDERS, MIRRORS, MONITORS, ETC. AND MISCELLANEOUS ITEMS. ALL WOOD USED FOR BLOCKING, CONSTRUCTION, AND INTERIOR WOODWORK SHALL BE FIRE RESISTANT TREATED.
 - ALL CASEWORK SHALL BE PL-1 U.N.O.
 - REFER TO CASEWORK ELEVATIONS FOR LOCATIONS WHERE BACKSPASHES ARE REQUIRED. BACKSPASH TO BE 4" U.N.O.
 - REFER TO CASEWORK ELEVATIONS FOR LOCKING CABINET DESIGNATIONS. COORDINATE KEYING WITH OWNER.
 - REFER TO CASEWORK SECTION DETAILS ON SHEET SERIES A9/37

CASEWORK FINISHES

| SYMBOL | DESCRIPTION | MANUFACTURER | MATERIAL |
|--------|--|--------------|--|
| ES-1 | WHITE QUARTZ | WILSONART | ARASHI Q4011 ALHORA Q2003 |
| ES-2 | BLACK QUARTZ | WILSONART | WHITE TWILL 9255-8 |
| PL-1 | WHITE PATTERN PLASTIC LAMINATE | FORMICA | WHITE TWILL 9255-8 |
| PL-2 | CONCRETE PATTERN PLASTIC LAMINATE | FORMICA | ELEMENTAL CONCRETE 883-58 |
| PL-3 | DARK BLUE PLASTIC LAMINATE | FORMICA | MARINE BLUE 914-58 |
| PL-4 | BLUE PLASTIC LAMINATE | LAMINART | CARRI-VELLUM 9225-E |
| PL-5 | BLACK WOODGRAN PLASTIC LAMINATE | FORMICA | BLACK WOODGRAN 9255-8 |
| PL-6 | CHARCOAL PLASTIC LAMINATE | FORMICA | TERRIL 2297-PP PLEX FINISH |
| PL-7 | WHITE CHEMICAL-RESISTANT LAMINATE | WILSONART | FROSTY WHITE 1573-60 CHEMURP CHEMICAL-RESISTANT LAMINATE |
| PL-8 | WHITE MAGNETIC MARKER BOARD PLASTIC LAMINATE | FORMICA | CRYSTAL WHITE MAGNETIC M3091-90 |
| PL-9 | METAL LAMINATE | FORMICA | BRUSHED STAINLESS STEEL M2178 |
| PL-10 | MEDIUM BLUE CHEMICAL-RESISTANT LAMINATE | WILSONART | LAPS BLUE D417-60 CHEMURP CHEMICAL-RESISTANT LAMINATE |
| PL-11 | WHITE PLASTIC LAMINATE | WILSONART | FROSTY WHITE 1573-60 |
| PL-12 | WOODGRAN PLASTIC LAMINATE | FORMICA | FRANSH OAK 118-58 |
| RP-1 | ECOESIN PANEL | 3FORM | VARIA ECOESIN THICKNESS: 3/8" PATTERN: DOTTY SCALE C COLOR: TBD |
| SS-1 | WHITE SOLID SURFACE | WILSONART | YUKON RIVERSTONE 81985 |
| SS-2 | BLACK SOLID SURFACE | CORIAN | DEEP LAPIS |
| SS-3 | 1" THK EPOXY RESIN | SEE SPEC | SIZE: 1" THICKNESS EDGE: SQUARE COLOR: BLACK |
| SS-4 | GREY STONE SOLID SURFACE | WILSONART | 9218CM GREY BEOLA |
| WD-1 | WOOD VENEER PANEL | - | SPECIES: WHITE OAK CUT: RPT CUT FINISH: CLEAR |
| WD-2 | SOLID WOOD | - | SPECIES: WHITE OAK FINISH: MATCH WOOD VENEER (WD-1) THICKNESS: 1/2" |
| WD-3 | WOOD VENEER PANEL | - | SPECIES: WHITE OAK CUT: PLAIN SLICED FINISH: STAINLESS SELECTED FROM SAMPLES |
| WD-4 | SOLID WOOD | - | SPECIES: WHITE OAK FINISH: MATCH WOOD VENEER (WD-3) THICKNESS: 1/2" |
| WD-5 | SOLID WOOD | - | SPECIES: WHITE OAK FINISH: MATCH WOOD VENEER (WD-3) THICKNESS: 1-1/2" |

DISTRICT 99

COMMUNITY HIGH SCHOOL DISTRICT 99

Wight

Wight & Company
 wightco.com
 2500 North Frontage Road
 Darien, IL 60561
 P 630.969.7000
 F 630.969.7979

106 ISSUED FOR ADDENDUM 5 - BG 11 10.02.2020
 ISSUED FOR BID GROUP 11 09.01.2020
 ISSUED FOR CONSTRUCTION - PHASE C 01.28.2020

REV ISSUE DATE

MFP IMPLEMENTATION - SOUTH

1436 NORFOLK STREET
 DOWNERS GROVE, IL 60516

CUSTOM ARCHITECTURAL WOODWORK - PHASE C

Project Number: 5274-42
 Drawn By: Author
 Sheet: **A9.37**



2500 North Frontage Road
Darien, IL 60561
630.969.7000
Fax 630.737.0518
www.wightco.com

Project Name: District 99 MFP Implementation DG South Phase C

Project Number: 180030

Date: September 29, 2020

Bid Question/Answer Log No. 3

The following clarification information is provided in response to questions received in accordance with the bid documents for the following Bid Packages:

Bid Group: 11
Bid Packages: 118-120

| # | Questions | Date | Answers | Date/By |
|----|--|-----------|--|----------------------|
| 1. | Is there a markerboard in elevation 2/A-7.17? | 9/29/2020 | No, that was a typo in the elevation callout in Addendum #2. The right elevation is 2/A7.18. | 9/29/2020 - AM/IE |
| 2. | A- Please confirm what is the 3form that should be quoted? B- What is the radius of the desk? | 9/29/2020 | A- The only thing included in this bid group that is specified as 3 form is the Resin Panel (RP-1) shown in the drawings in elevation 2/A9.37 for the Library Circulation Desk. The desk is curved per floor plan A9.01D. B- See dimensions added to A9.37 as part of this addendum | 2020 10 01 AP |
| 3. | “MUSTANGS” (A4.04) interior anodized clear aluminum wall letters call for ½” thick. Should the rest of the interior aluminum letters have this thickness or should they follow 1/8” thickness per specs? (e.g., AUDITORIUM BALCONY on A7.20) | 9/29/2020 | A4.04 is exterior signage, 1” thickness as indicated on drawings A7.18 “MUSTANGS” interior signage, ½” thickness as indicated on drawings All other interior signage, thickness as indicated in specification | 2020 10 01 AP |

| | | | | |
|----|---|-----------|--|----------------------|
| 4. | For the digitally-printed wallcovering, would you consider a digitally-printed vinyl or self-adhesive fabric rather than the glue-on wallcovering specified? | 10/1/2020 | We will not accept the vinyl as an acceptable product for this application. Please provide more product information for self-adhesive fabric. Product must comply with specification 097226 Digital-Imaging Wall Coverings: "PART 2 – PRODUCTS; 2.1 PERFORMANCE REQUIREMENTS" and "2.2 WALL COVERINGS; Section C Description; subset 1. FS CCC-W-408D and CFFA-W-101-D for Type II, Medium-Duty products." | 2020 10 01 AP |
| 5. | Plan Sheet A4.04 Dimensional Aluminum letters at face of the building. These reference Spec Section 10 1413, but I don't find this section in the spec book. There is no indication on if these are to be illuminated or non-illuminated. We typically fabricate these sorts of dimensional lettering using 1"d HDU that has been painted the desired color. We stud-mount with spacers to provide the correct distance from the face of the building. If illumination is desired, please let me know what sort of illumination (face-lit, Halo-lit?) and I can provide you with our "best practices" version | 10/1/2020 | Spec Section 101413 will be included in this addendum Exterior lettering is non-illuminated | 2020 10 01 AP |
| 6. | I see "Solid Surface" lettering at interior elevations in various locations. Is there an aesthetic reason why solid surface material is desired in these locations? We can fabricate dimensional lettering with any range of laminate applied to the surface of different textures are desired. We typically utilize 1/2"d PVC and apply the laminate to the surface prior to routing the letters. Please advise if this is an acceptable alternative. | 10/1/2020 | Solid Surface Letters are part of the Millwork scope, not the signage. You can provide a voluntary alternate in the corresponding section of the bid form to provide these if desired | 10/1/2020 - IE |

| | | | | |
|-----|---|-----------|---|----------------------|
| 7. | The interior panel signage is straightforward. For the past few years, we have been utilizing a 3D-printing process for interior panel signage. Unlike photopolymer processes, 3D is fast and versatile. We can control the raised lettering & shape of the Braille characters so that all pieces are compliant. We can add 2nd surface graphics as needed. Please let me know if our fabrication method is acceptable. | 10/1/2020 | 3D-printing fabrication is acceptable | 2020 10 01 AP |
| 8. | Are we to quote every single dimensional aluminum anodized lettering from drawings: A7.16/A7.17/A7.18/A7.20 | 10/1/2020 | Please refer to BP119 scope document. Note 4 mentions which aluminum signage are included in this package | 10/2/2020 - AM |
| 9. | On drawing A7.17 it states about re-installing the existing plaques/letters. The wall type that is going up there that we would have to install back in to is a Quartz Mosaic Wall tile correct? | 10/1/2020 | Per detail 8 on A7.17, only the small plaques go on the Quartz Mosaic Wall tile, the rest will go on drywall with wallcovering. | 10/2/2020 - AM |
| 10. | I am coming up with a different qty of room signs than what is listed in Add. #2 - what do I bid? The architects numbers or mine? | 10/1/2020 | Follow numbers in the scope document Addendum #2. | 10/2/2020 - AM |
| 11. | Drawing A4.04 shows exterior 1" thick letters - include this as well in my bid? | 10/1/2020 | Correct | 10/2/2020 - AM |
| 12. | Drawing A7.13 indicates 12"h White Vinyl text - include this in my bid or would this be part of the 'vinyl films and specialty graphics'? | 10/1/2020 | Details 1, 2, 4, & 5 represent a previous phase and are not included in this bid | 10/2/2020 - AM |